

Voltage: **6V**

Capacity: **230AH @ 20hr**

Life Cycles: **2000 @ 80% DOD**

Life Cycles: **3200 @ 50% DOD**

Rated Capacity (@ 25°C / 77°C, SPECIFIC GRAVITY: 1.280)

HOUR RATE	CAPACITY/ AMP HOUR	CURRENT/ AMPS	VOLTAGE/ CELL
@100hr Rate	280.0AH	2.80A	1.75V
@20hr Rate	230.0AH	11.50A	1.75V
@10hr Rate	220.5AH	22.05A	1.80V
@5hr Rate	198.0AH	39.6A	1.75V
@3hr Rate	174.6AH	58.2A	1.75V
@1hr Rate	130.2AH	130.2A	1.60V

Charging Characteristics

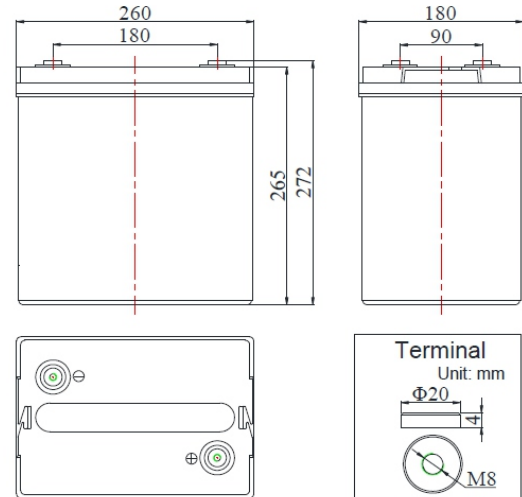
Max Discharge Current	1000A (5 seconds)
Internal Resistance	Approx 6.0mΩ
Recommended Charge Current	30A
Max Charge Current	90A
Charging Constant Voltage @ (25°C / 77°C)	
Float:	13.6V - 13.8V
Absorb:	14.4V - 14.7V
Cycle Use	Initial Charging Current less than 30A Voltage 14.4V - 14.7V @ 25°C(77°C) Temp Coefficient -30mV/°C
Standby Use	No limit on Initial Charging Current Voltage 13.6V - 13.8V at 25°C(77°C) Temp Coefficient -20mV/°C
Self Discharge	May be stored up to 10 months at 25°C (77°F) and then a fresh charge is required. For higher temperature the time interval will be shorter.

Temperature Attributes

Nominal Operating Temp Range	25°C ±3° (77°F ±5°F)	
Capacity affected by Temp @10hr	40°C (104°F)	108%
Approx Weight	25°C (77°F)	100%
Length ±2mm	0°C (32°F)	90%
	-15°C (5°F)	70%
Operating Temp Range	Discharge:	-30° to 60°C (-22°F to 140°F)
	Charge:	-30° to 60°C (-22°F to 140°F)
	Storage:	-30° to 60°C (-22°F to 140°F)

Physical Attributes

Terminal	M8	(Torque: 7~9)
Container Material	ABS	
Approx Weight	34.2kg	75.40lbs
Length ±2mm	260mm	10.24in
Width ±2mm	180mm	7.09in
Container Height ±2mm	265mm	10.43in
Total Height (with Terminal) ±2mm	272mm	10.71in



COMPLIED STANDARDS

IEC 60896-21/22
YD/T799

GB/T 19638
JIS C8704

BS6290 part4
UL 1989



HIGHLIGHTED TECHNOLOGY COMPARISON

AGM Lead Carbon	AGM Lead Acid	Lithium LiFePO4
Rated Depth of Discharge: 80%	Rated Depth of Discharge: 50%	Rated Depth of Discharge: 80%
Average Life Cycles: 2000	Average Life Cycles: 600	Average Life Cycles: 2000
Charging Temps: -30°C to +60°C	Charging Temps: -30°C to +60°C	Charging Temps: 0°C to +60°C
Battery Efficiency: 90 - 95%	Battery Efficiency: 88 - 92%	Battery Efficiency: 92 - 96%
Cost Per Watt Hour: Low	Cost Per Watt Hour: Medium/High	Cost Per Watt Hour: Medium/High
Kilowatt Hours Per Kilogram: 30 - 50	Kilowatt Hours Per Kilogram: 30 - 50	Kilowatt Hours Per Kilogram: 150 - 200

PERFORMANCE CHARACTERISTICS

