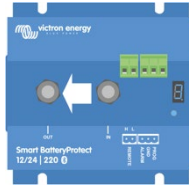


Smart BatteryProtect 12/24V
ENGLISH

Installation

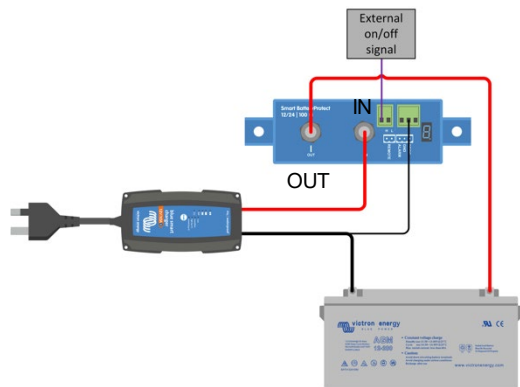
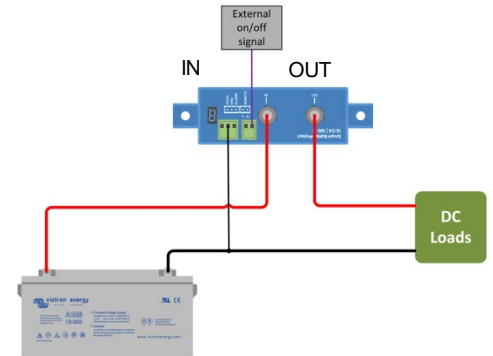
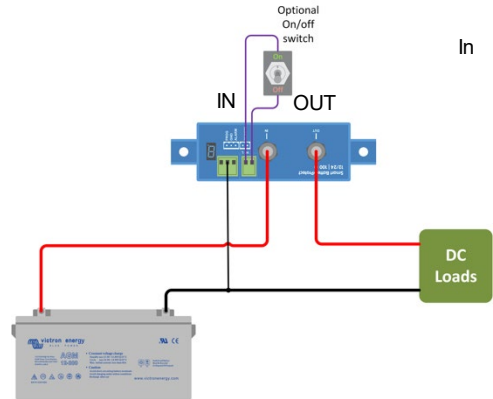
1. The Smart BatteryProtect (SBP) must be installed in a well-ventilated area and preferably close (max 50 cm) to the battery (but, due to possible corrosive gasses not above the battery!). **Voltage drop over a long or undersized cable between the battery plus and the SBP may result in a short circuit alarm when starting-up the load, or unexpected shutdown.**
2. A properly sized fuse must be inserted according to local regulations in the cable between the battery and the SBP.
3. The SBP is designed to allow current to flow from IN (battery) to OUT (load) terminals only. Reverse currents from OUT to IN terminals are strictly forbidden, and will damage the device. If you wish to use the SBP as a disconnection for a charge source, you must orient the unit in the system so that the current is flowing in the intended direction, IN to OUT.
4. The short circuit protection of the SBP will be activated if you try to directly connect loads with capacitors on their input (eg inverters). For that use case, please use the SBP to control the remote on/off switch on the inverter, instead of disconnecting the higher power DC line.
5. Use a 1,5mm² wire (included) for the GND connection, which should be connected directly to the battery negative terminal (or the chassis of a vehicle). No other equipment should be connected to this wire.
6. The SBP automatically detects the system voltage **once only** during initial power up. The selected voltage (12 or 24V) is stored, and further automatic detection is disabled. See **d** in the programming table for how to reset it when re-using the SBP in a different installation or use Bluetooth.
7. Do not connect the load output until the SBP has been fully programmed.
8. A remote on-off switch can be connected between Remote H and Remote L (see figure 1). Alternatively, terminal H can be switched high (to battery positive), or terminal L can be switched low (to battery negative).
9. A buzzer, LED or relay can be connected between the alarm output terminal and the battery positive (see figure 1). Maximum load on the alarm output: 50 mA (short circuit proof).



Specifications

Smart BatteryProtect	SBP-65	SBP-100	SBP-220
Maximum cont. load current	65A	100A	220A
Peak current	250A	600A	600A
Operating voltage range	6–35V		
Current consumption	BLE On	When on: 1.4 mA When off or low voltage shutdown: 0.9 mA	
	BLE Off	When on: 1.2 mA When off or low voltage shutdown: 0.7 mA	
Alarm output delay	12 seconds		
Max. load on alarm output	50mA (short circuit proof)		
Load disconnect delay	90 seconds (immediate if triggered by the VE.Bus BMS)		
Load reconnect delay	30 seconds		
Default thresholds	Disengage: 10,5V or 21V Engage: 12V or 24V		
Operating temperature range	Full load: -40°C to +40°C (up to 60% of nominal load at 50°C)		
Connection	M6	M8	M8
Weight	0.2kg 0.5 lbs	0.5kg 1.1 lbs	0.8kg 1.8 lbs
	40 x 48 x 106 mm 1.6 x 1.9 x 4.2 inch	59 x 42 x 115 mm 2.4 x 1.7 x 4.6 inch	62 x 123 x 120 mm 2.5 x 4.9 x 4.8 inch

Example Wiring Diagrams



Load disconnect events and alarm output options

Buzzer or LED mode (buzzer or LED connected to the alarm output):

- In case of under voltage, a continuous alarm will start after 12 seconds. The SBP will disconnect the load after 90 seconds and the alarm will stop. Reconnect delay: 30 seconds.
- In case of over voltage, the load will be disconnected immediately and an intermittent alarm will remain on until the overvoltage problem has been corrected. There is no reconnect delay.

Relay mode (relay connected to the alarm output):

- In case of under voltage, the relay will engage after 12 seconds. The SBP will disconnect the load after 90 seconds and the relay will disengage.
- In case of over voltage, the load will be disconnected immediately and the alarm output will remain inactive.

Li-ion mode:

- Connect the load disconnect output of the VE.Bus BMS to Remote H terminal. The load is disconnected immediately when the load-disconnect output of the VE.Bus BMS switches from 'high' to 'free floating' (due to battery cell under voltage, over voltage or over temperature). The under voltage thresholds and alarm output of the SBP are inactive in this mode.

Operation

There are 9 possible error modes and 2 warning modes, indicated by the 7 segment display and within VictronConnect when using a Bluetooth enabled smartphone or tablet:

- E 0 Calibration failure
- E 1 Short circuit
- E 2 Over temperature / P2 Over temperature warning
- E 3 Under voltage / P3 Under voltage warning
- E 4 Over voltage
- E 5 Configuration Failure
- E 6 Reference Voltage Failure
- E 7 BMS Lockout
- E 8 Reverse current

After 5 minutes the error is no longer displayed to reduce current consumption.

Please refer to the Appendix for more info on each error.

The decimal point of the 7 segment display is used for status indication:

- On solid: the SBP attempts to activate the output
- Flash every 5s: output is active
- Flashing every 2s in Li-ion mode: output 'connecting'

Remote control and short circuit

- The SBP will connect the load 1 second after closing the remote contact.
- The SBP will disconnect the load immediately when the remote contact is opened.
- When in Li-ion mode the SBP will observe a dead period of 30 seconds after the remote input of the SBP has become free floating. See the note under figure 4 for a detailed description.
- In case of a short circuit, the SBP will attempt to connect the load every 5 seconds. After two attempts the display will show E 1 (short circuit detected).

Programming

When switched off (remote open), the SBP can be programmed by connecting the PROG pin to ground. Alternatively, it can be programmed with a Bluetooth enabled smartphone or tablet using VictronConnect.

The 7-segment display will first step through the shutdown and restart voltages. Disconnect the PROG pin when the desired voltage is displayed.

The display will confirm the chosen voltage and default mode (A) twice.

Reconnect the PROG pin to ground if another mode (b, c or d) is required. Disconnect when the required mode is displayed.

The display will confirm the chosen voltage and mode twice.

Bluetooth can be disabled/re-enabled with the VictronConnect app or by connecting the PROG pin to ground and selecting F (enable) or h (disable). See table below

Programming table

7 segment display	Under voltage shut down 12V / 24V system	Under voltage restart 12V / 24V system
0	10.5V / 21V	12V / 24V
1	10V / 20V	11.5V / 23V
2	9.5V / 19V	11.5V / 23V
3	11.25V / 22.5V	13.25V / 26.5V
4	11.5V / 23V	13.8V / 27.6V
5	10.5V / 21V	12.8V / 25.6V
6	11.5V / 23V	12.8V / 25.6V
7	11.8V / 23.6V	12.8V / 25.6V
8	12V / 24V	13V / 26V
9	10V / 20V	13.2V / 26.4V
-	User defined settings with Bluetooth	
A	Buzzer or LED mode	
b	Relay mode	
c	Li-ion mode	
d	Detect system voltage	
F	Bluetooth Enable	
h	Bluetooth Disable	

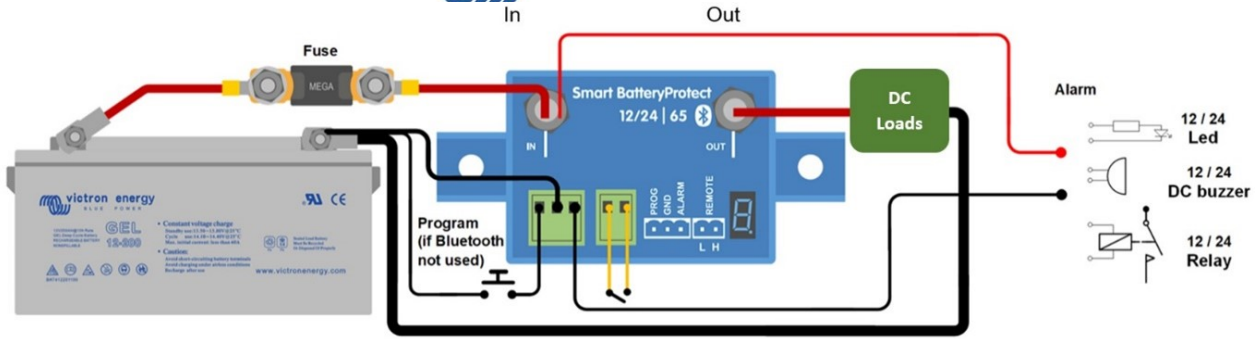


Figure 1: Connection diagram of the SBP-65 (use the remote input for system on/off functionality)

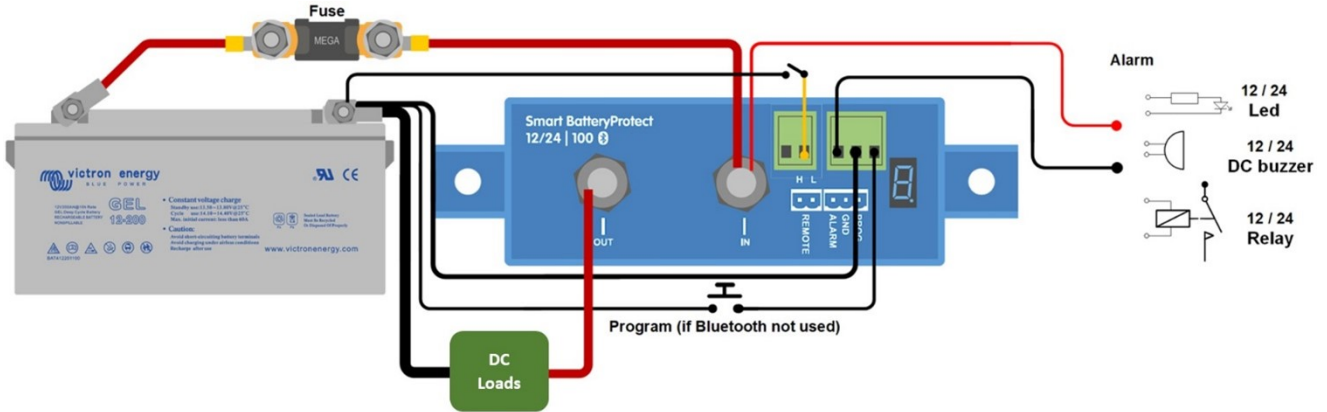


Figure 2: Connection diagram of the SBP-100 and SBP-220 (use the remote input for system on/off functionality)

- 2.1 H remote (Remote H terminal, can be connected to battery plus to turn on)
- 2.2 L remote (Remote L terminal, can be connected to battery minus to turn on)
- 1.1 ALARM
- 1.2 GND
- 1.3 PROG

Figure 3: Connectors and pin numbering

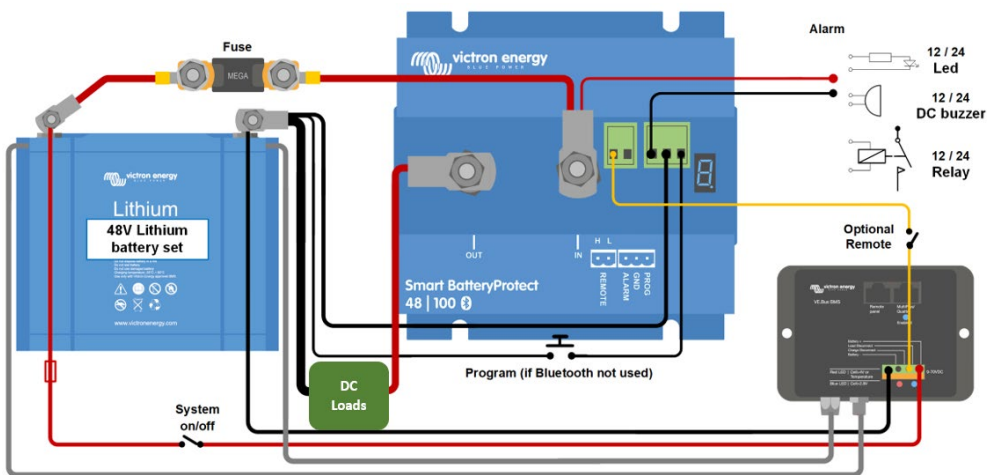


Figure 4: System with Li-ion battery (applicable with VE.Bus BMS or smallBMS)

Note: When in Li-ion mode, the SBP will disengage when the H input becomes free floating, and will remain disengaged for 30 seconds even if it receives a re-engage signal within that time period. After 30 seconds it will respond immediately to a re-engage signal. Therefore, there will normally be no waiting time if the SBP is used as a system on-off switch (wire the System on/off switch in the positive supply of the BMS for this purpose).

Similarly, if a system shut down occurred due to low cell voltage, the SBP will remain disengaged for 30 seconds even if it receives a re-engage signal within that time period (which will happen when no other loads are connected to the battery). After 3 attempts to re-engage, the SBP will remain disengaged until battery voltage has increased to more than 13V (resp. 26V) during at least 30 seconds (which is a sign that the battery is being recharged). The under voltage thresholds and alarm output of the SBP are inactive in this mode.

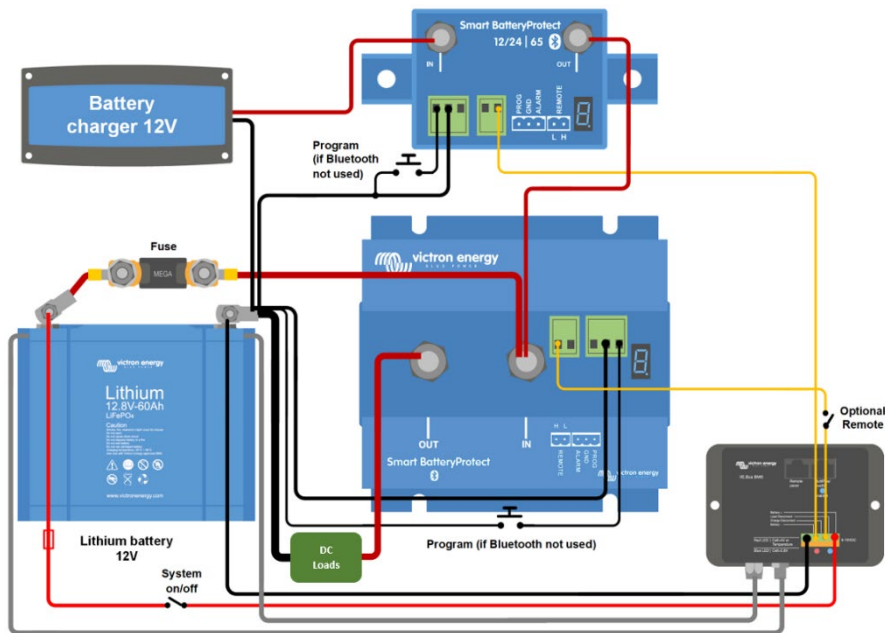


Figure 5: Second Smart BatteryProtect in between a battery charger or MPPT solar charge controller and a Li-ion battery (applicable with VE.Bus BMS or smallBMS)

The second SBP replaces a Cyrix-Li-charge relay (advantages: lower power consumption, alarm relay).
 (not applicable if the charger has remote on-off contacts and can be controlled with an interface cable between the BMS and the charger)

Choose program **L** for this application.

Caution: uncontrolled reverse current will flow through a Smart BatteryProtect if $V_{out} > V_{in}$. Therefore, never use a Smart BatteryProtect for battery to battery charging.

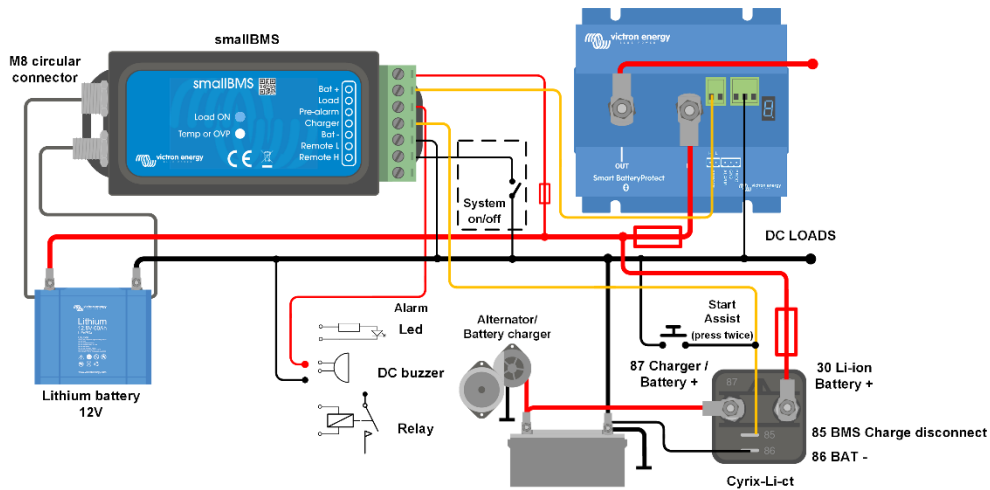


Figure 6: Application example for a vehicle or boat, with on/off switch between H and L (applicable with VE.Bus BMS or smallBMS)

APPENDIX**Error/ Warning Codes****E0: Calibration failure**

Internal malfunction – calibration data failure/missing



Contact dealer for support – Fault is not user correctable and SBP requires replacement

E1: Short circuit

Short circuit protection is activated in the event of a short circuit, an overload condition or excessive inrush current - such as when attempting to directly power an inverter



- 1- Check for a potential short circuit condition
- 2- Confirm that the load current draw does not exceed the SBP current rating
- 3- Use the SBP to control the remote on/off switch on loads with high inrush currents, rather than directly powering/disconnecting the DC supply
- 4- Check for loose/high resistance connections and ensure that appropriate gauge wiring is used in the installation

P2: Over temperature warning**Urgent intervention required to prevent load disconnection**

Internal temperature close to the limit. Over temperature protection will be activated if temperature continues to rise

E2: Over temperature

Over temperature protection is activated in the event of excessive internal temperature



- 1- Confirm that the load current draw does not exceed the SBP current rating
- 2- Check for loose/high resistance connections and ensure that appropriate gauge wiring is used in the installation
- 3- Do not install the SBP unit in a location exposed to high temperature or radiant heat - relocate SBP to a cooler position or provide additional active cooling

P3: Under voltage warning**Urgent intervention required to prevent load disconnection**

Under voltage protection will be activated in 90 seconds if no action is taken

E3: Under voltage

Under voltage protection is activated in the event that the input voltage drops below the under voltage limit selected for 90 seconds



- 1- Switch off/disconnect loads and recharge the battery
- 2- Check charging system and battery for proper operation

E4: Over voltage

Over voltage protection is activated in the event that the input voltage exceeds 16V (for 12V systems) or 32V (for 24V systems)



- 1- Confirm the configuration of all charging devices in the system - particularly system voltage and charge voltage settings
- 2- Check charging system for proper operation
- 3- Confirm SBP system voltage configuration is correct

E5: Configuration failure

Internal malfunction - configuration data failure/missing



- To recover the SBP from this condition;
- 1- Reset the unit to factory defaults under - Settings > More options > Reset to defaults
 - 2- Disconnect all power and wait 3 minutes before reconnecting
 - 3- Reconfigure the unit as required

E6: Reference voltage failure

Internal malfunction - reference voltage failure/missing



Contact dealer for support - Fault is not user correctable and SBP requires replacement

E7: BMS lockout

BMS lockout protection is activated in the event the external BMS requests the SBP to consecutively disengage and then re-engage 3 times (typical behaviour during a shut down due to low cell voltage)

Once E7 is activated the SBP will remain disengaged until input voltage exceeds 13V (for 12V systems) or 26V (for 24V systems)



- 1- Check BMS error codes/log to identify the cause of shut-down and rectify issue
- 2- Switch off/disconnect loads and recharge the battery
- 3- Check wiring between BMS and SBP Remote terminal
- 4- Check BMS for proper operation

E8: Reverse current

Reverse current protection is activated in the event that reverse current flow is detected

CAUTION: SBP is designed to allow or prevent current flow from IN to OUT terminals ONLY. Reverse current flow is strictly forbidden and may permanently damage the SBP.

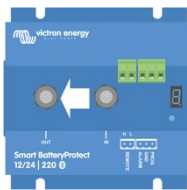


- 1- Check that the SBP installation orientation is correct - current flow must be from IN to OUT (refer to example wiring diagrams)
- 2- Confirm that no charging sources are inadvertently connected to the SBP OUT terminal/circuit
- 3- If the SBP is used to disconnect a charge source, confirm that no loads are inadvertently connected to the SBP IN terminal/circuit

Smart BatteryProtect 12/24V
NEDERLANDS

Installatie

- De Smart BatteryProtect (SBP) moet in een goed geventileerde ruimte worden geïnstalleerd en bij voorkeur dichtbij (max. 50 cm) de accu (maar vanwege mogelijke corrosieve gassen niet boven de accu). **Spanningsval over een lange of ondermaatse kabel tussen de accu-plus en de SBP kan resulteren in het afgaan van een kortsluitalarm bij het opstarten van de belasting of het onverwacht uitschakelen.**
- Er moet een zekering van het juiste formaat op de kabel tussen de accu en de SBP worden geplaatst, volgens de lokale voorschriften.
- De SBP is ontworpen om de stroom uitsluitend te laten lopen van de IN- (accu) naar UIT- (belasting) aansluitklemmen. Omgekeerde stroom, van de UIT- naar IN-aansluitklemmen is ten strengste verboden en zal het apparaat beschadigen. Als u de SBP wilt gebruiken voor de ont koppeling van een laadbron, moet u de eenheid in het systeem zodanig oriënteren dat de stroom in de beoogde richting loopt, van IN naar UIT.
- De kortsluitbeveiliging van de SBP wordt geactiveerd wanneer u belastingen met condensatoren kan worden aangesloten tussen Externe H en Externe L (zie figuur 1). Als alternatief kan klem H hoog worden omgeschakeld (naar batterij positief), of klem L kan laag worden omgeschakeld (naar batterij negatief).
- Een zoemer, LED of relais kan verbonden worden tussen de alarmuitvoerklem en de batterij positief (zie afbeelding 1). Maximale belasting op de alarmuitgang: 50 mA (kortsluitvast)



Belastingontkoppelingsevenementen en alarmuitgangopties

- Zoemer- of LED-modus (zoemer of LED aangesloten op de alarmuitgang):
- Bij onderspanning zal na 12 seconden een onafgebroken alarm opstarten. De SBP zal de belasting na 90 seconden ontkoppelen, waarna het alarm stopt. Vertraging bij het opnieuw aansluiten: 30 seconden.
 - In geval van overspanning wordt de belasting onmiddellijk ontkoppeld en blijft er een intermitterend alarm aanstaan, totdat het overspanningsprobleem is verholpen. Er treed geen vertraging op bij het opnieuw aansluiten.
- Relaismodus (relais aangesloten op de alarmuitgang):
- In het geval van onderspanning, zal het relais na 12 seconden inschakelen. De SBP ontkoppelt de belasting na 90 seconden, waarna het relais zal uitschakelen.
 - Bij overspanning wordt de belasting onmiddellijk ontkoppeld en blijft de alarmuitgang inactief. Uitschakelniveau bij overspanning: 16 V respectievelijk 32 V
- Li-ion-modus:
- Sluit de belastingontkoppelinguitgang van de VE.Bus BMS aan op de Externe H-aansluitklem. De belasting wordt onmiddellijk ontkoppeld wanneer de belastingontkoppelinguitgang van de VE.Bus BMS overschakelt van 'hoog' naar 'potentiaalvrij' (als gevolg van de onderspanning, overspanning of overtemperatuur in de accu). De onderspanningsdrempels en de alarmuitgang van de SBP zijn in deze modus inactief.

Gebruik

Er zijn 9 mogelijke foutmodi en 2 waarschuwingsmodi, aangeduid door de 7 segment-weergave en binnen VictronConnect bij het gebruik van een met Bluetooth voorziene smartphone of tablet:

- E1 Kortsluiting gedetecteerd
- E2 Overbelasting of overtemperatuur/P2 waarschuwing overtemperatuur
- E3 Onderspanning/P3 Waarschuwing onderspanning
- E4 Overspanning
- E5 Instellingsfout
- E6 Referentiespanningsfout
- E7 BMS-uitsluiting

Na 5 minuten wordt de fout niet meer weergegeven om zo het stroomverbruik te verminderen. Referer naar de Bijlage voor meer info over elke fout.

Het decimaalteken van het 7-segmentenscherf wordt gebruikt als statusindicatie:

- Vast: de SBP probeert de uitvoer te activeren
- Knippert elke 5 sec.: uitgang is actief
- Knippert elke 2 sec in Li-ion-modus: uitgang 'bezigt met aansluiten'

Afstandsbediening en kortsluiting

- De SBP sluit de belasting aan 1 seconde na het afsluiten van het externe contact.
- De SBP ontkoppelt de belasting onmiddellijk wanneer het externe contact wordt geopend.
- In Li-ion modus zal de SBP een dode periode van 30 seconden waarmemen, nadat de externe ingang van de SBP potentiaalvrij is geworden. Zie opmerking onder figuur 4 voor een gedetailleerde beschrijving.
- In het geval van kortsluiting zal de SBP om de 5 seconden proberen de belasting aan te sluiten. Na twee pogingen zal het scherm de volgende tekst weergegeven E1 (kortsluiting gedetecteerd).

Programmeren

Wanneer uitgeschakeld (externe aansluiting open), kan de SBP worden geprogrammeerd door de PROG-pin aan te sluiten op aarde. Alternatief kan het geprogrammeerd worden met een met Bluetooth voorziene smartphone of tablet via VictronConnect

Het 7-segmentenscherf zal eerst de uitschakel- en herstartspanningen stappen doorlopen. Ontkoppel de PROG-pin wanneer de gewenste spanning wordt weergegeven.

Het scherm zal de gekozen spanning en standaardmodus bevestigen (A) tweemaal.

Sluit de PROG-pin opnieuw aan op de aarde als een andere modus ingesteld (b, C of d) vereist is. Ontkoppel wanneer de vereiste modus wordt weergegeven.

Het scherm bevestigt de gekozen spanning en modus tweemaal.

Bluetooth kan worden uitgeschakeld/ ingeschakeld met de VictronConnect-app of door de PROG-pin aan te sluiten op de aarde en F (inschakelen) of h (uitschakelen) te selecteren. Zie onderstaande tabel

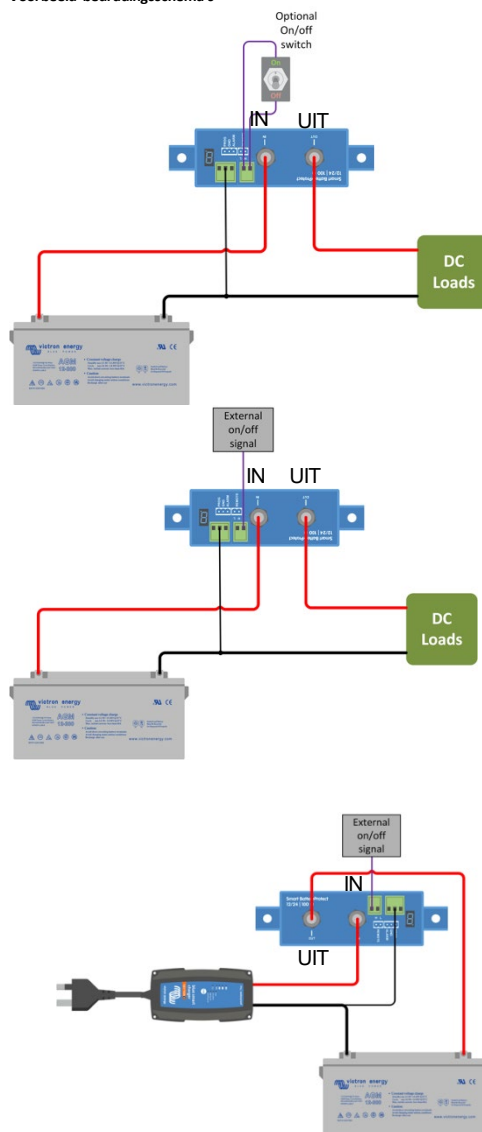
Programmeertabel

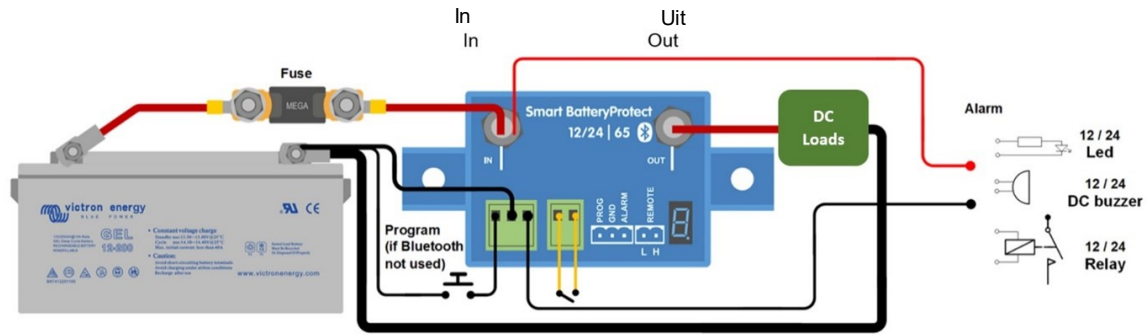
7-segmentenscherf	Uitschakeling, bij onderspanning 12V / 24V-systeem	Herstart bij onderspanning 12V / 24V-systeem
0	10,5V / 21V	12V / 24V
1	10V / 20V	11,5V / 23V
2	9,5V / 19V	11,5V / 23V
3	11,25V / 22,5V	13,25V / 26,5V
4	11,5V / 23V	13,8V / 27,6V
5	10,5V / 21V	12,8V / 25,6V
6	11,5V / 23V	12,8V / 25,6V
7	11,8V / 23,6V	12,8V / 25,6V
8	12V / 24V	13V / 26V
9	10V / 20V	13,2V / 26,4V
-	Door de gebruiker gedefinieerde instellingen met Bluetooth	
A	Zoemer- of LED-modus	
b	Relais-modus	
C	Li-ion-modus	
d	Detecteer systeemspanning	
F	Bluetooth ingeschakeld	
h	Bluetooth uitschakelen	

Specificaties

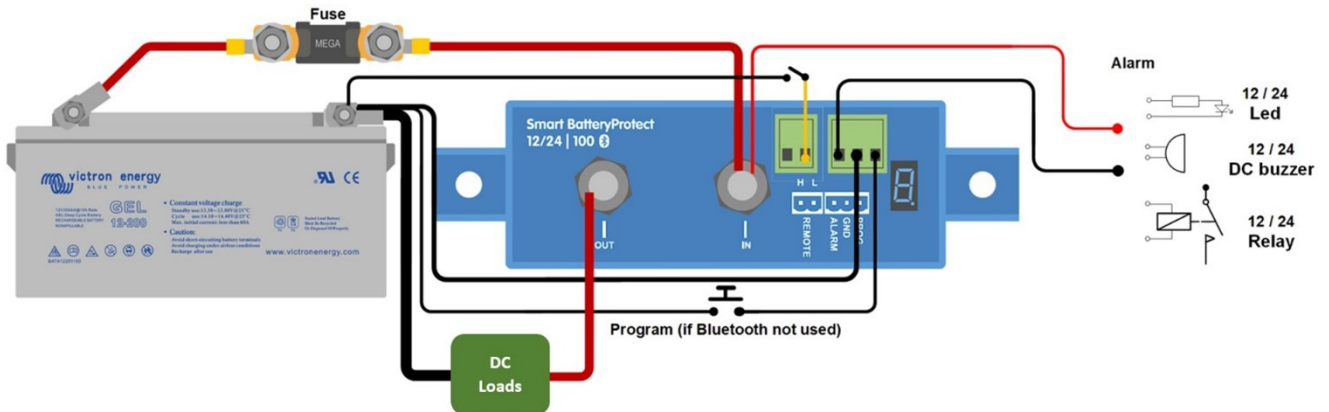
Smart BatteryProtect	SBP-65	SBP-100	SBP-220
Maximale onafgebroken belastingstroom	65A	100A	220A
Piekstroom	250A	600A	600A
Bedrijfsspanningsbereik	6 – 35V		
Stroomverbruik	BLE aan	Wanneer ingeschakeld: 1,4 mA	Wanneer uitgeschakeld of bij lage spanning uitgeschakeld: 0,9 mA
	BLE uit	Wanneer ingeschakeld: 1,2 mA	Wanneer uitgeschakeld of bij lage spanning uitgeschakeld: 0,7 mA
Vertraging alarmuitgang	12 seconden		
Max. belasting alarmuitgang	50mA (kortsluitvast)		
Vertraging bij het ontkoppelen van de belasting	90 seconden (direct wanneer geactiveerd door de VE.Bus BMS)		
Vertraging bij het opnieuw aansluiten van de belasting	30 seconden		
Standaarddrempels	Deactiveren: 10,5V of 21V Activeren: 12V of 24V		
Bedrijfstemperatuurbereik	Volledige belasting: -40°C tot +40°C (tot en met 60% van de nominale belasting bij 50°C)		
Aansluiting	M6	M8	M8
Gewicht	0,2 kg 0,5 lbs	0,5 kg 1,1 lbs	0,8 kg 1,8 lbs
Afmetingen (hxbxd)	40 x 48 x 106 mm	59 x 42 x 115 mm	62 x 123 x 120 mm
	1,6 x 1,9 x 4,2 inch	2,4 x 1,7 x 4,6 inch	2,5 x 4,9 x 4,8 inch

Voorbeeld bedradingsschema's





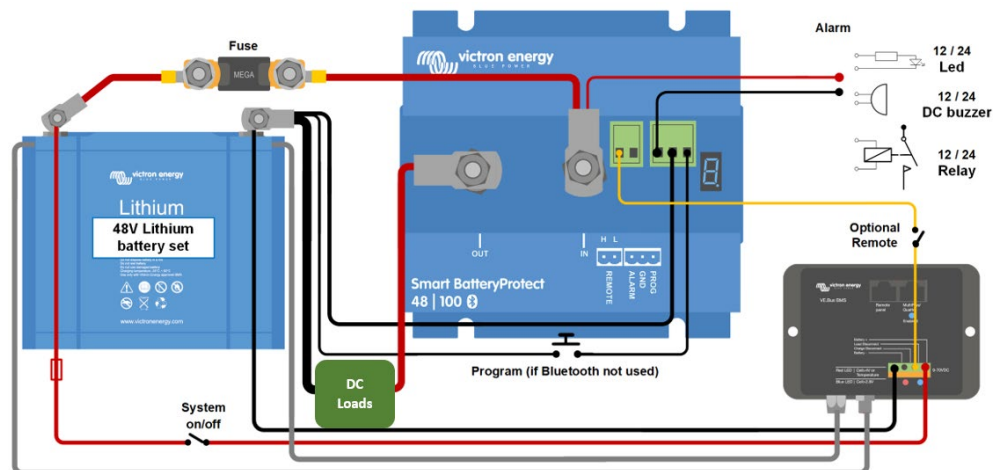
Afbeelding 1: Aansluitschema van de SBP-65 (gebruik de externe ingang voor systeem aan/uit-functionaliteit)



Figuur 2: Aansluitschema van de SBP-100 en SBP-220 (gebruik de externe ingang voor systeem aan/uit-functionaliteit)

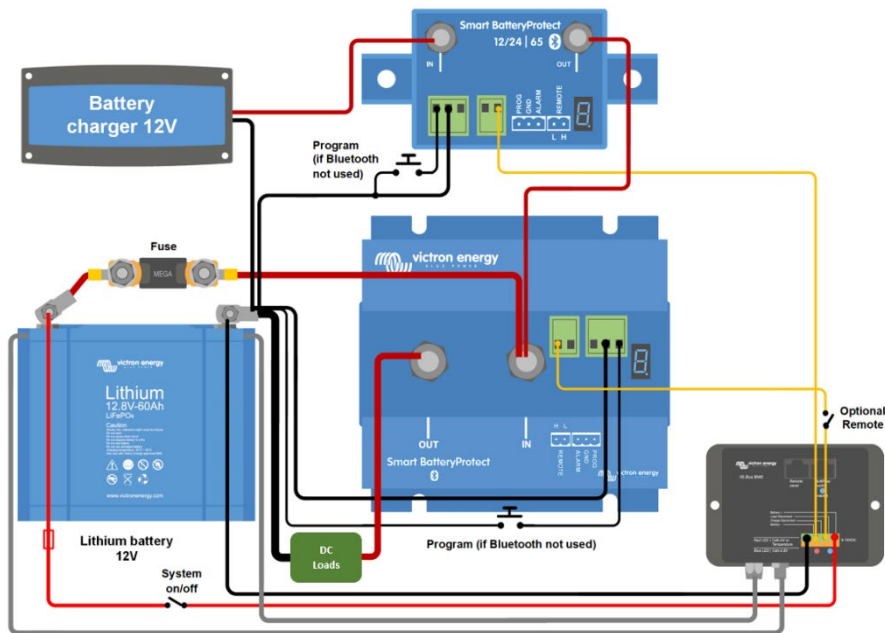
- 2.1 H remote (Op afstand bediende H-klem kan verbonden worden met batterij plus om in te schakelen)
 - 2.2 L remote (Op afstand bediende L-klem kan verbonden worden met batterij min om in te schakelen)
- 1.1 ALARM
 - 1.2 GND
 - 1.3 PROG

Figuur 3: Connector- en pinnummering



Afbeelding 4: Systeem met Li-ion-accu (toepasbaar met VE.Bus BMS of SmallBMS)

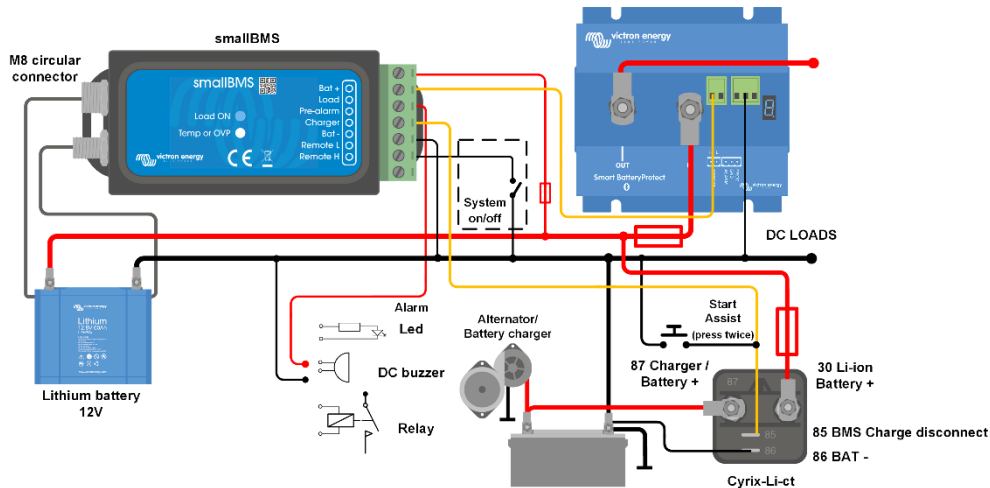
Opmerking: In Li-ion-modus zal de SBP deactiveren wanneer de H-ingang potentiaalvrij wordt, en blijft uitgeschakeld gedurende 30 seconden, zelfs als het een reactiveringssignaal ontvangt binnen die periode. Na 30 seconden zal het onmiddellijk reageren op een reactiveringssignaal. Daarom zal er normaal gesproken geen spaken van vertraging zijn als de SBP wordt gebruikt als aan-/uitschakelaar (sluit de aan-/uitschakelaar aan op de positieve invoer van de BMS voor dit doel).
 Tevens, als een systeem is uitgeschakeld vanwege de lage celspanning, blijft de SBP gedurende 30 seconden uitgeschakeld, zelfs als het binnen die periode een reactiveringssignaal ontvangt (wat zal gebeuren wanneer er geen andere belastingen op de accu zijn aangesloten). Na 3 pogingen om opnieuw in te schakelen, blijft de SBP gedeactiveerd totdat de accuspanning is toegenomen tot boven de 13 V (resp. 26 V) gedurende ten minste 30 seconden (wat een signaal is dat de accu opnieuw wordt opgeladen). De onderspanningsdrempels en de alarmuitgang van de SBP zijn in deze modus inactief.



Figuur 5: Tweede Smart BatteryProtect tussen een acculader of MPPT-zonnelaadcontroller en een Li-ion-accu (toepasbaar met VE.Bus BMS of smallBMS)

De tweede SBP vervangt een Cyrix-Li-laadrelais (voordelen: lager stroomverbruik, alarmrelais).
 (niet van toepassing als de lader externe aan/uit-aansluitingen heeft en kan worden bediend met een interfacekabel tussen de BMS en de acculader)
 Kies programma **C** voor deze toepassing.

Let op: ongecontroleerde omgekeerde stroom zal door een Smart BatteryProtect lopen als $V_{out} > V_{in}$. Gebruik daarom nooit een Smart BatteryProtect om een accu op te laden.



Figuur 6: Voorbeeld van toepassing voor een voertuig of boot, met aan-/uitschakelaar tussen H en L (toepasbaar met VE.Bus BMS of smallBMS)

BIJLAGE

Foutmelding/Waarschuwingscodes

E0: IJkingsstoring

Interne storing – ijking gegevensstoring/ontbrekend

Dealer contacteren voor ondersteuning – Storing is niet door gebruiker herstelbaar en SBP vereist vervanging

E1: Kortsluiting

Bescherming tegen kortsluiting werd geactiveerd in geval van een kortsluiting, een overbelastingstoestand of overmatige toevloedstroom - zoals bij het trachten rechtstreeks een inverter aan te drijven

- 1- Controleren op een mogelijke kortsluitingstoestand
- 2- Bevestigen dat de laadstroomdruk de huidige SBP-belasting niet overschrijdt
- 3- De SBP gebruiken om de op afstand bediende aan/uitschakelaar op ladingen met hoge toevloedstromen te regelen, in plaats van rechtstreeks de DC-toevoer in te schakelen/uit te schakelen
- 4- Controleren op losse/hoge weerstandsverbindingen en ervoor zorgen dat correcte meetinstrumentbedrading in de installatie gebruikt wordt

P2: Waarschuwing overtemperatuur

Dringende interventie vereist om laadontkoppeling te beletten

Interne temperatuur dichtbij de limiet. Bescherming tegen overtemperatuur zal geactiveerd worden wanneer de temperatuur blijft stijgen

E2: Overtemperatuur

Bescherming tegen overtemperatuur wordt geactiveerd bij overmatige interne temperatuur

- 1- Bevestigen dat de laadstroomdruk de huidige SBP-belasting niet overschrijdt
- 2- Controleren op losse/hoge weerstandsverbindingen en ervoor zorgen dat correcte meetinstrumentbedrading in de installatie gebruikt wordt
- 3- Het SBP-toestel niet installeren op een locatie die blootgesteld is aan hoge temperatuur of stralingswarmte - SBP verplaatsen naar een koelere plaats of bijkomende extra koeling voorzien

P3: Waarschuwing onder-voltage

Dringende interventie vereist om laadontkoppeling te beletten

Bescherming tegen onder-voltage zal binnen 90 seconden geactiveerd worden wanneer geen actie ondernomen wordt

E3: Onder-voltage

Bescherming tegen onder-voltage wordt geactiveerd wanneer het invoervoltage onder de onder-voltagegrens valt, geselecteerd voor 90 seconden

- 1- Uitschakelen/ontkoppelen ladingen en herladen van de batterij
- 2- Oplaadsysteem en batterij controleren op correcte werking

E4: Over-voltage

Bescherming tegen onder-voltage wordt geactiveerd wanneer het invoervoltage 64 V overschrijdt

Bescherming tegen onder-voltage wordt geactiveerd wanneer het invoervoltage 16 V (voor 12 V-systemen) of 32 V (voor 24 V-systemen) overschrijdt

- 1- De configuratie bevestigen van alle oplaadtoestellen in het systeem - in het bijzonder instellingen systeemvoltage en oplaadvoltage
- 2- Oplaadsysteem controleren op correcte werking
- 3- Bevestigen SBP systeemvoltageconfiguratie is correct

E5: Configuratiestoring

Interne storing - configuratie gegevensstoring/ontbrekend

- Om de SBP van deze toestand te herstellen;
- 1- Het toestel resetten naar fabrieksstandaarden onder - Instellingen > Meer opties > Resetten naar standaard
 - 2- Alle stroom uitschakelen en 3 minuten wachten alvorens opnieuw verbinding te maken
 - 3- Het toestel zoals vereist opnieuw configureren

E6: Storing referentievoltage

Interne storing - referentievoltage storing/ontbrekend

Dealer contacteren voor ondersteuning – Storing is niet door gebruiker herstelbaar en SBP vereist vervanging

E7: BMS-blokkering

Bescherming tegen BMS-blokkering wordt geactiveerd wanneer de externe BMS de SBP verzoekt om achtereenvolgens te ontkoppelen en dan 3-maal opnieuw aan te koppelen (kenmerkend gedrag tijdens een uitschakeling vanwege laag celvoltage)

Eens E7 geactiveerd werd, zal de SBP ontkoppeld blijven tot het invoervoltage 52 V overschrijdt

- 1- BMS foutcodes/-log controleren om de oorzaak van uitschakeling te identificeren en het probleem te herstellen
- 2- Ladingen uitschakelen/ontkoppelen en de batterij herladen
- 3- Bedrading controleren tussen BMS en SBP op afstand bediende klem
- 4- BMS controleren op correcte werking

E8: Tegenstroom

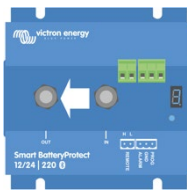
Bescherming tegen tegenstroom wordt geactiveerd wanneer tegenstroom ontdekt wordt

OPGELET: SBP werd ontworpen om de stroom ENKEL van IN- naar UIT-klemmen toe te staan of te beletten. Tegenstroom is strikt verboden en kan permanent de SBP beschadigen.

- 1- Controleren dat de SBP-installatieoriëntatie correct is - stroom moet van IN naar UIT gaan (refereer naar het voorbeeld van bedradingsdiagrammen)
- 2- Bevestigen dat geen oplaadbronnen onoplettend verbonden worden met SBP UIT klem/circuit
- 3- Wanneer de SBP gebruikt wordt om een oplaadbron te ontkoppelen, bevestigen dat geen ladingen onoplettend verbonden worden met SBP IN klem/circuit

Installation

- Le Smart BatteryProtect (SBP) doit être installé dans un local bien aéré et à proximité de la batterie (50 cm au maximum, mais jamais au-dessus de la batterie en raison des risques d'émanation de gaz corrosifs I). **Une chute de tension sur un câble long ou sous-dimensionné entre le pôle positif de la batterie et le SBP peut déclencher une alarme de court-circuit au démarrage de la charge, ou entraîner l'arrêt inopiné du SBP.**
- Un fusible de la bonne taille doit être inséré, conformément à la réglementation en vigueur, dans le câble entre la batterie et le SBP.
- Le SBP est conçu pour permettre au courant de circuler uniquement des bornes IN (batterie) à OUT (charge). Les courants inverses des bornes OUT à IN sont strictement interdits et endommageraient l'appareil. Si vous souhaitez utiliser le SBP en tant que déconnexion d'une source de charge, vous devez orienter l'unité dans le système de sorte que le courant circule dans la direction voulue, de IN à OUT.
- La protection contre les courts-circuits du SBP s'activera si vous essayez de connecter directement des charges avec des condensateurs sur leur entrée (par exemple, des onduleurs). Pour ce cas d'utilisation, utilisez le SBP pour contrôler l'interrupteur marche/arrêt à distance de l'onduleur, au lieu de déconnecter la ligne CC de puissance supérieure.
- Utilisez un fil de 1,5 mm² (inclus) pour la connexion à la terre, qui doit être raccordée directement au pôle négatif de la batterie (ou au châssis d'un véhicule). Aucun autre équipement ne doit être raccordé à ce fil.
- Le SBP détecte automatiquement la tension du système **une fois seulement**, lors de l'allumage initial. Le voltage sélectionné (12 ou 24 V) est enregistré, et toute détection automatique ultérieure est désactivée. Voir **d** dans le tableau de programmation pour les instructions de réinitialisation lors de la réutilisation du SBP dans une autre installation.
- Ne connectez pas la sortie de la charge tant que le SBP n'a pas été entièrement programmé.
- Un interrupteur marche/arrêt à distance peut être connecté entre la borne H à distance et la borne L à distance (voir l'illustration 1). Il est également possible de commuter la borne H sur élevé (sur la borne positive de la batterie) ou la borne L sur bas (sur la borne négative).
- Un buzzer, un voyant LED ou un relais peut être connecté entre la borne de la sortie d'alarme et le pôle positif de la batterie (voir illustration 1). Charge maximale sur la sortie de l'alarme : 50 mA (protection contre les courts-circuits).


Caractéristiques

Smart BatteryProtect		SBP-65	SBP-100	SBP-220
Courant de charge continu maximal		65 A	100 A	220 A
Puissance de pointe		250 A	600 A	600 A
Plage de tension d'exploitation		6 – 35 V		
Consommation de courant	Fonction BLE activée	Si activée : 1.4 mA Si désactivé ou si arrêt en cas de tension faible : 0.9 mA		
	Fonction BLE désactivée	Si allumé : 1.2 mA Si éteint ou si arrêt en cas de tension faible : 0.7 mA		
Délai de sortie de l'alarme		12 secondes		
Charge maximale sur sortie de l'alarme		50 mA (protection contre les courts-circuits)		
Délai de déconnexion de charge		90 secondes (immédiate si déclenchement par le BMS du VE.Bus)		
Délai de reconnexion de la charge		30 secondes		
Seuils par défaut		Désenclencher : 10.5 V ou 21 V Enclencher : 12 V ou 24 V		
Plage de température d'exploitation		Plaine charge : Entre - 40 °C et + 40 °C (jusqu'à 60% de la charge nominale à 50 °C)		
Connexion		M6	M8	M8
Poids		0.2 kg 0.5 livres	0.5 kg 1.1 livres	0.8 kg 1.8 livres
Dimensions (H x L x P)		40 x 48 x 106 mm 1.6 x 1.9 x 4.2 pouces	59 x 42 x 115 mm 2.4 x 1.7 x 4.6 pouces	62 x 123 x 120 mm 2.5 x 4.9 x 4.8 pouces

Évènements de déconnexion de charge et options de sortie de l'alarme

Mode Buzzer ou LED (buzzer ou LED connecté à la sortie de l'alarme) :

- En cas de sous-tension, une alarme continue démarre après 12 secondes. Le SBP déconnectera la charge après 90 secondes et l'alarme s'arrêtera. Délai de reconnexion : 30 secondes.
- En cas de surtension, la charge sera immédiatement déconnectée et une alarme intermittente sera active tant que le problème de surtension n'aura pas été réglé. Il n'y a aucun délai de reconnexion.

Mode Relais (relais connecté à la sortie de l'alarme) :

- En cas de sous-tension, le relais s'enclenche après 12 secondes. Le SBP déconnectera la charge après 90 secondes et le relais se désenclenche.
- En cas de surtension, la charge sera immédiatement déconnectée et la sortie de l'alarme restera inactive. Niveaux de déclenchement en cas de surtension : 16 V et 32 V, respectivement

Mode Lithium-ion :

- Connectez la sortie de déconnexion de la charge du BMS du VE.Bus à la borne H à distance. La charge est immédiatement déconnectée lorsque la sortie de déconnexion de la charge du BMS du VE.Bus passe de « élevée » à « flottante » (car la cellule de la batterie est en sous-tension, surtension ou surchauffe). Les seuils de sous-tension et la sortie de l'alarme du SBP sont inactifs sous ce mode.

Fonctionnement

Il y a 9 modes d'erreur et 2 modes d'avertissement possibles, indiqués par l'écran à 7 segments, et dans l'application VictronConnect lorsque vous utilisez un smartphone ou une tablette avec l'option Bluetooth activée :

- E 1 Court-circuit détecté
- E 2 Surcharge ou surchauffe / P2 avertissement de surchauffe
- E 3 Sous-tension / P3 avertissement de sous-tension
- E 4 Surtension
- E 5 Échec des paramètres
- E 6 Échec de la tension de référence
- E 7 Blocage du BMS

Après 5 minutes, l'erreur ne s'affiche plus afin de réduire la consommation de courant. Veuillez consulter l'Annexe pour davantage de renseignements sur chaque erreur.

Le point décimal de l'écran à 7 segments est utilisé pour l'indication du statut :

- S'il est fixe : le SBP essaie d'activer la sortie.
- S'il clignote toutes les 5 secondes : la sortie est active.
- S'il clignote à intervalles de 2 secondes en mode lithium-ion : la sortie est en cours de connexion

Contrôle à distance et court-circuit

- Le SBP connectera la charge 1 seconde après la fermeture du contact à distance.
- Le SBP déconnectera immédiatement la charge si le contact à distance est ouvert.
- En mode Lithium-ion, le SBP respectera un temps mort de 30 secondes après que l'entrée à distance du SBP soit devenue flottante. Voir la note sous l'illustration 4 pour une description détaillée.
- En cas de court-circuit, le SBP essaiera de connecter la charge toutes les 5 secondes. Après deux essais, l'écran affichera E 1 (court-circuit détecté).

Programmation en cours

Lorsqu'il est éteint (ouvert à distance) le SBP peut être programmé en connectant la broche PROG à la terre. Sinon, vous pouvez le programmer avec un smartphone ou une tablette avec Bluetooth activée en utilisant VictronConnect. L'écran à 7 segments fera défiler les tensions d'arrêt et de démarrage. Déconnectez la broche PROG lorsque la tension souhaitée s'affiche.

L'écran confirmera la tension et le mode par défaut (A) choisis deux fois.

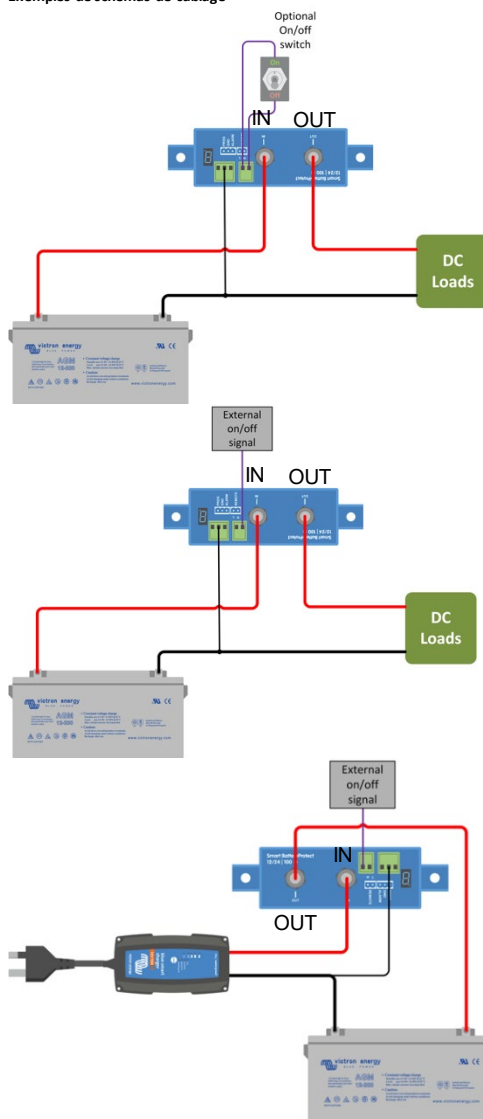
Connectez à nouveau la broche PROG à la terre si un autre mode (b, c ou d) est nécessaire. Déconnectez lorsque le mode requis s'affiche.

L'écran confirmera la tension et le mode choisis deux fois.

Le Bluetooth peut être désactivé et réactivé avec l'application VictronConnect ou en connectant la broche PROG à la terre et en sélectionnant F (activé) ou h (désactivé). Voir le tableau ci-dessous

Tableau de programmation

Écran à 7 segments	Arrêt en cas de sous-tension	Redémarrage en cas de sous-tension
	Système 12 V/24 V	Système 12 V/24 V
0	10.5 V/21 V	12 V/24 V
1	10 V/20 V	11.5 V/23 V
2	9.5 V/19 V	11.5 V/23 V
3	11.25 V/22.5 V	13.25 V/26.5 V
4	11.5 V/23 V	13.8 V/27.6 V
5	10.5 V/21 V	12.8 V/25.6 V
6	11.5 V/23 V	12.8 V/25.6 V
7	11.8 V/23.6 V	12.8 V/25.6 V
8	12 V/24 V	13 V/26 V
9	10 V/20 V	13.2 V/26.4 V
-	Paramètres définis par l'utilisateur avec le Bluetooth	
A	Mode Buzzer ou LED	
b	Mode Relais	
c	Mode Lithium-ion	
d	Détection de la tension du système	
F	Bluetooth activé	
h	Bluetooth désactivé	

Exemples de schémas de câblage


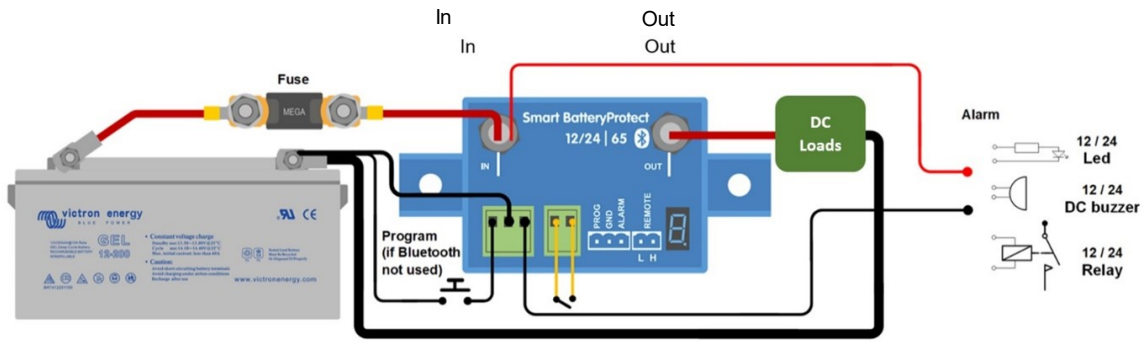


Illustration 1 : Schéma de connexion du SBP-65 (utilisez l'entrée à distance pour la fonctionnalité on/off du système)

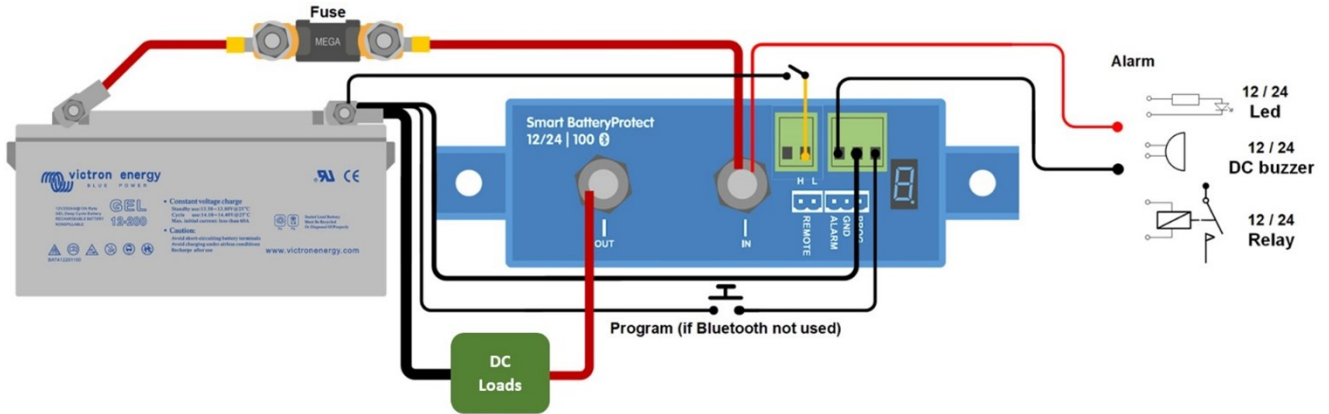


Illustration 2 : Schéma de connexion du SBP-100 et du SBP-220 (utilisez l'entrée à distance pour la fonctionnalité on/off du système)

- 2.1 H remote (Borne H à distance, peut être connectée sur la borne positive de la batterie pour la mise en marche)
- 2.2 L remote (Borne L à distance, peut être connectée sur la borne négative de la batterie pour la mise en marche)
- 1.1 ALARM
- 1.2 GND
- 1.3 PROG

Illustration 3 : Numérotation des broches du connecteur

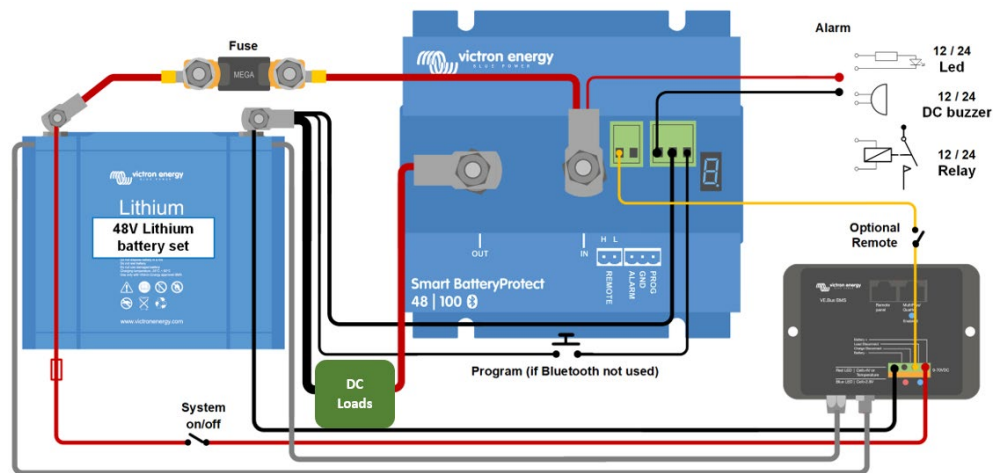


Illustration 4 : Système avec batterie Li-ion (applicable au BMS VE.Bus ou smallBMS)

Remarque : En mode Li-on, le SBP se désactivera lorsque l'entrée H deviendra flottante, et restera inactif pendant 30 secondes, même s'il reçoit un signal de réactivation pendant ce délai. Après 30 secondes, il répondra automatiquement à un signal de réactivation. Par conséquent, il n'y aura normalement pas de temps d'attente si le SBP est utilisé comme interrupteur marche/arrêt du système (à cette fin, branchez l'interrupteur marche/arrêt du système dans l'alimentation positive du BMS). De même, si un système s'arrête en raison d'une basse tension de la cellule, le SBP restera désactivé pendant 30 secondes même s'il reçoit un signal de réactivation pendant ce délai (ce qui se produira si aucune autre charge n'est connectée à la batterie). Après 3 essais de réactivation, le SBP restera désactivé jusqu'à ce que la tension de la batterie soit supérieure à 13 V (ou 26 V respectivement) pendant au moins 30 secondes (ce qui signifie que la batterie est en cours de charge). Les seuils de sous-tension et la sortie de l'alarme du SBP sont inactifs sous ce mode.

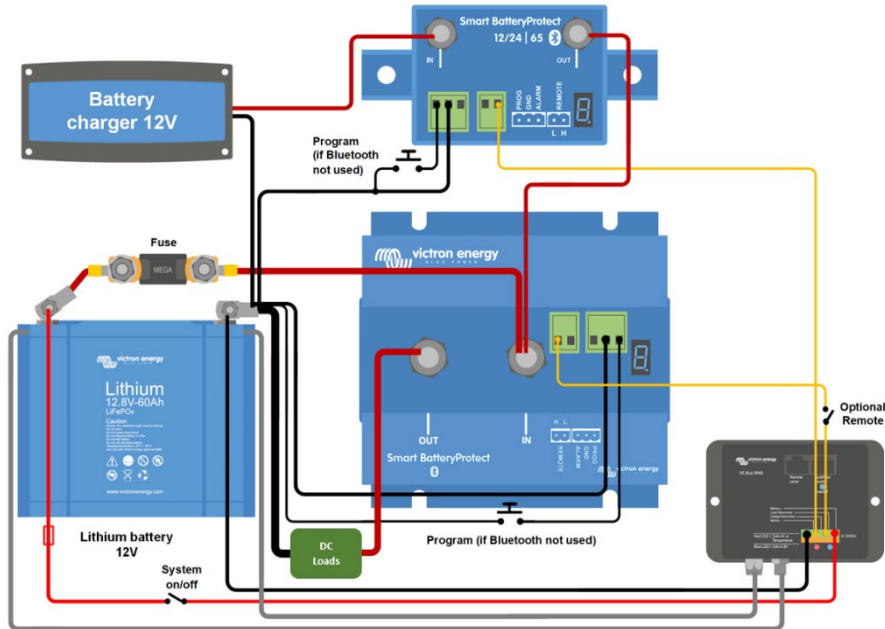


Illustration 5 : Deuxième Smart BatteryProtect entre un chargeur de batterie ou un contrôleur de charge solaire MPPT et une batterie Li-ion (applicable au BMS VE.Bus ou smallBMS)

Le deuxième SBP remplace un relais de charge Cyrix-Li (avantages : consommation d'énergie réduite, relais d'alarme).
 (non applicable si le chargeur a des contacts marche/arrêt à distance et peut être contrôlé avec un câble d'interface entre le BMS et le chargeur)

Choisissez le programme \square pour cette application.

Attention : un courant inverse non contrôlé circulera à travers un Smart BatteryProtect si $V_{out} > V_{in}$. Par conséquent, vous ne devez jamais utiliser un Smart BatteryProtect pour une recharge de batterie à batterie.

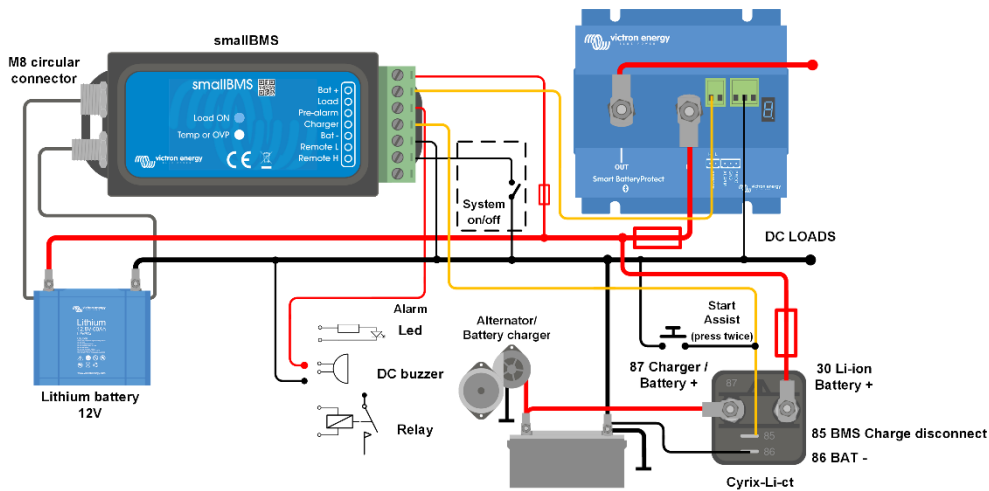


Illustration 6 : exemple d'application pour un véhicule ou un bateau avec un interrupteur marche/arrêt entre H et L.
 (applicable au BMS VE.Bus ou smallBMS)

ANNEXE

Codes d'erreur/avertissement

E0 : Défaillance d'étalonnage

Fonctionnement interne incorrect – Données d'étalonnage erronées/manquantes



Contactez le revendeur pour de l'assistance – Le défaut ne peut pas être corrigé par l'utilisateur, et le SBP doit être remplacé

E1 : Court-circuit

La protection contre les courts-circuits s'active en cas de court-circuit, de surchauffe ou d'excès de courant d'appel – comme par exemple lorsqu'on essaye d'alimenter directement un convertisseur



- 1- Vérifiez que le système ne se trouve pas en état de court-circuit
- 2- Confirmez que le courant extrait par la charge ne dépasse pas la valeur nominale du courant du SBP
- 3- Utilisez le SBP pour contrôler l'allumage/arrêt à distance sur les charges avec des courants d'appel élevés, plutôt que pour allumer/débrancher directement l'alimentation CC
- 4- Vérifiez que les connexions de haute résistance ne soient pas trop desserrées, et assurez-vous que l'on utilise le diamètre correct du câblage dans l'installation

P2 : Avertissement de surchauffe

Intervention urgente nécessaire pour éviter des déconnexions de la charge

Température interne proche de la limite. La protection contre la surchauffe s'activera si la température continue d'augmenter.

E2 : Surchauffe

La protection contre la surchauffe s'active en cas de température interne excessive



- 1- Confirmez que le courant extrait par la charge ne dépasse pas la valeur nominale du SBP
- 2- Vérifiez que les connexions de haute résistance ne soient pas trop desserrées, et assurez-vous que l'on utilise le diamètre correct du câblage dans l'installation
- 3- Ne pas installer l'unité SBP dans un endroit exposé à des températures élevées ou à une chaleur rayonnante – Réinstallez le SBP dans un endroit plus frais, ou installez une unité de refroidissement active supplémentaire

P3 : Avertissement de sous-tension

Intervention urgente nécessaire pour éviter des déconnexions de la charge

La protection contre la sous-tension s'activera au bout de 90 secondes si aucune intervention n'est effectuée

E3 : Sous-tension

La protection contre les sous-tensions s'active lorsque la tension d'entrée chute en dessous de la limite de sous-tension choisie pendant 90 secondes



- 1- Éteignez/déconnectez des charges et rechargez la batterie
- 2- Vérifier que le système de charge et la batterie fonctionnent correctement

E4 : Surtension

La protection contre les surtensions s'active lorsque la tension d'entrée dépasse 64 V

La protection contre les surtensions s'active lorsque la tension d'entrée dépasse 16 V (pour des systèmes de 12 V) ou 32 V (pour des systèmes de 24 V)



- 1- Confirmez la configuration de tous les dispositifs de charge au sein du système – en particulier les paramètres de tension de charge et de tension du système
- 2- Vérifiez que le système de charge fonctionne correctement
- 3- Confirmez que la configuration de la tension du système SBP est correcte

E5 : Défaut de configuration

Fonctionnement interne incorrect – Données de configuration incorrectes/manquantes



- Pour supprimer cette condition dans le SBP ;
- 1- Réinitialisez l'unité aux paramètres par défaut dans - Paramètres > Plus d'options > Réinitialiser aux paramètres par défaut
 - 2- Débranchez toutes les alimentations et attendez 3 minutes avant de les rebrancher
 - 3 - Reconfigurez l'unité tel que requis

E6 : Erreur de tension de référence

Fonctionnement interne incorrect – Tension de référence incorrecte/manquante



Contactez le revendeur pour de l'assistance – Le défaut ne peut pas être corrigé par l'utilisateur, et le SBP doit être remplacé

E7 : Verrouillage du BMS

La protection de verrouillage du BMS s'activera si le BMS externe demande au SBP de se déconnecter puis de se reconnecter 3 fois de suite (comportement typique durant un arrêt dû à une tension trop faible sur une cellule)

Dès que l'avertissement E7 est activé, le SBP restera déconnecté jusqu'à ce que la tension d'entrée dépasse 52 V



- 1- Vérifiez le journal/les codes d'erreur du BMS pour identifier la cause de l'arrêt et rectifiez le problème
- 2- Éteignez/déconnectez les charges et rechargez la batterie
- 3- Vérifiez le câblage entre le BMS et la borne à distance du SBP
- 4- Vérifier que le BMS fonctionne correctement

E8 : Courant inversé

La protection contre le courant inversé s'active si un flux de courant inversé est détecté

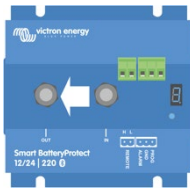
MISE EN GARDE : Le SBP est conçu pour permettre ou éviter que le courant ne passe des bornes IN aux bornes OUT UNIQUEMENT. Le flux de courant inversé est strictement interdit, et il peut endommager le SBP de façon permanente.



- 1- Vérifiez que le sens de l'installation du SBP est correct – le flux de courant doit aller de IN à OUT (consultez les diagrammes de câblage de référence)
- 2- Assurez-vous qu'aucune source de charge n'est connectée par inadvertance au circuit/à la borne OUT du SBP
- 3- Si le SBP est utilisé pour déconnecter une source de charge, confirmez qu'aucune charge n'est connectée par inadvertance au circuit/à la borne OUT du SBP

Installation

- Smart BatteryProtect (SBP) måste installeras i en välventilerad omgivning och helst nära (max. 50 cm ifrån) batteriet (dock inte ovanpå batteriet på grund av frätande gaser!). **Spänningsfall på grund av en lång eller för liten kabel mellan batteriets pluspol och batteriskyddet kan ge upphov till ett kortslutningslarm vid uppstart av belastningen eller till oväntade driftstopp.**
 - Enligt lokala föreskrifter måste en säkring av passande storlek sättas in i kabeln mellan batteriet och batteriskyddet.
 - SBP är utformad för att endast tillåta att ström flyter från IN- (batteri) till UT- (belastning) terminalerna. Backströmmar från UT- till IN-terminalerna är strikt förbjudet och kommer att skada enheten. Om du vill använda SBP för frånkoppling från en laddningskälla måste du styra systemet så att strömmen flyter i rätt riktning, från IN till UT.
 - Kortslutningskyddet på SBP kommer att aktiveras om du försöker att direkt koppla belastningar med kondensatorer på deras ingångar (t.ex. växelriktare). För detta ändamål, använd SBP för att styra växelriktarens av/på-brytare istället för att koppla ifrån högsämsningsledningen för direktström.
 - Använd en 1,5 mm² kabel (ingår) till GND-kopplingen och koppla den direkt till batteriets negativa pol (eller ett fordonschassi). Ingen annan utrustning får kopplas till denna kabel.
 - SBP känner automatiskt av systemspänningen **en enda gång** under uppstarten. Den valda spänningen (12 eller 24 V) sparas och all ytterligare automatisk avkänning avaktiveras. Se **d** i programmeringstabellen för information om hur man återställer värdena om SBP används i en annan installation eller använder Bluetooth.
 - Koppla inte på utgångsbelastningen innan batteriskyddet har programmerats färdigt.
 - En fjärrbrytare för av/på kan kopplas mellan Fjärr H och Fjärr L (se figur 1).
- Alternativt kan terminal H växlas upp till batteriets positiva pol, eller terminal L växlas ner till batteriets negativa.
- En summer, en LED eller ett relä kan kopplas mellan larmutgången och batteriets positiva pol (se bild 1). Maximal belastning på larmutgången: 50 mA (kortslutningsssäkrad).



Belastningsfrånkopplingar och larmalternativ

Summer eller LED-läge (summer eller LED kopplade till larmutgången):

- Vid underspänning kommer ett kontinuerligt larm att startas efter 12 sekunder. Batteriskyddet kommer att koppla bort belastningen efter 90 sekunder och larmet kommer att upphöra. Fördörning vid återanslutning: 30 sekunder
- Vid överspänning kommer belastningen att kopplas bort omedelbart och ett intermitterent larm kommer att fortsätta tills överspänningsproblemet har blivit åtgärdat. Det förekommer ingen fördörning vid återanslutning.

Reläläge (relä kopplat till larmutgången):

- Vid underspänning kommer reläet att aktiveras efter 12 sekunder. Batteriskyddet kommer att koppla bort belastningen efter 90 sekunder och reläet kommer att avaktiveras.
- Vid överspänning kommer belastningen att kopplas bort omedelbart och larmutgången kommer att förbli inaktiv. Utlösningsskärns vid överspänning: 16 V respektive 32 V

Litiumjonläge:

- Koppla VE.Bus BMS-S utgång för belastningsfrånkoppling till fjärrterminal H. Belastningen kopplas bort omedelbart när utgången för belastningsfrånkoppling på VE.Bus BMS växlar från "hög" till "fritt flytande" (på grund av underspänning, överspänning eller övertemperatur i battericellerna). Batteriskyddets underspänningströskel och larmutgång är inaktiva i detta läge.

Drift

Det finns 9 möjliga fel lägen och 2 varningslägen, som indikeras av den 7-segmentella displayen och i VictronConnect om du använder en smarttelefon eller surfplatta med Bluetooth.

- E 1 Kortslutning detekterad
- E 2 Överbelastning eller övertemperatur / P2 varning övertemperatur
- E 3 Underspänning / P3 varning underspänning
- E 4 Överspänning
- 5 Inställningsfel
- 6 Fel referensspänning
- 7 BMS Spärr

Efter 5 minuter visas inte felmeddelandet längre för att minska strömförbrukningen.

Hänvisning till bilagan för mer information om varje fel.

Decimalkommat i den 7-segmentella displayen används för att ange status:

- Kontinuerligt: Batteriskyddet försöker aktivera utgången
- Blinkar var 5:e sekund: utgången är aktiv
- Blinkar var 2 sekund i litiumjonläge: utgången "kopplas till"

Fjärrstyrning och kortslutning

- Batteriskyddet kopplar på belastningen en sekund efter att fjärrkontakten har stängts.
- Batteriskyddet kommer att koppla bort belastningen omedelbart när fjärrkontakten öppnas.
- I litiumjonläge uppstår en död period på 30 sekunder efter att fjärrutgången på SBP har blivit fritt flytande. Se anmärkningen under bild 4 för en detaljerad beskrivning.
- Vid kortslutning kommer batteriskyddet att försöka koppla på belastningen var 5:e sekund. Efter två försök kommer displayen att visa E (kortslutning detekterad).

Programmering

När den är avstängd (fjärr öppen) kan SBP programmeras genom att koppla PROG-stiftet till jord. Den kan alternativt programmeras med en smarttelefon eller surfplatta med Bluetooth genom att använda VictronConnect. Den 7-segmentella displayen kommer först att gå igenom spänningsvärdena för avstängning och omstart. Koppla ifrån PROG-stiftet när önskad spänning visas.

Displayen kommer att bekräfta den valda spänningen och standardläget (**A**) två gånger

Koppla PROG-stiftet till jord om ett annat läge (**b, C eller d**) krävs. Koppla ifrån när önskat läge visas.

Displayen kommer att bekräfta den valda spänningen och valt läge två gånger.

Bluetooth kan stängas av/slås på med appen VictronConnect eller genom att koppla PROG-stiftet till jord och välja **F** (aktivera) eller **h** (avaktivera). Se tabell nedan

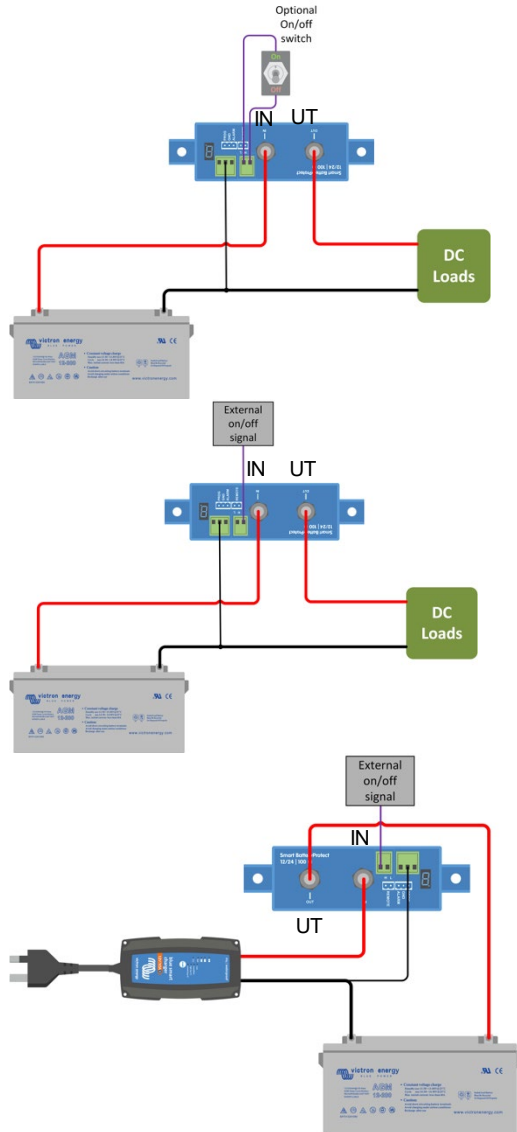
Programmeringstabell

7-segmentell display	Underspänning avstängning 12V / 24V system	Underspänning omstart 12V / 24V system
D	10.5 V / 21 V	12 V / 24 V
I	10 V / 20 V	11.5 V / 23 V
2	9.5 V / 19 V	11.5 V / 23 V
3	11.25 V / 22.5 V	13.25 V / 26.5 V
4	11.5 V / 23 V	13.8 V / 27.6 V
5	10.5 V / 21 V	12.8 V / 25.6 V
6	11.5 V / 23 V	12.8 V / 25.6 V
7	11.8 V / 23.6 V	12.8 V / 25.6 V
B	12 V / 24 V	13 V / 26 V
9	10 V / 20 V	13.2 V / 26.4 V
Användarbestämda inställningar med Bluetooth		
A	Summer eller LED-läge	
b	Reläläge	
C	Litiumjonläge:	
d	Känner av systemspänning	
F	Bluetooth aktivera	
h	Bluetooth avaktivera	

Specifikationer

Smart BatteryProtect	SBP-65	SBP-100	SBP-220
Maximal kontinuerlig belastningsström	65 A	100 A	220 A
Toppstöm	250 A	600 A	600 A
Driftspänningsintervall	6–35 V		
Strömförbrukning	BLE På	Påslagen: 1.4 mA Avstängd eller vid driftstopp på grund av låg spänning: 0.9 mA	
	BLE Av	Påslagen: 1.2 mA Avstängd eller vid driftstopp på grund av låg spänning: 0.7 mA	
Larmfördröjning	12 sekunder		
Maximal belastning vid larmutgång	50mA (kortslutningssäkrad)		
Fördörning av belastningsfrånkoppling	90 sekunder (omedelbar bortkoppling om det utlöses av VE.Bus BMS)		
Fördörning vid belastningsåteranslutning	30 sekunder		
Standardtrösklar	Urkoppling: 10.5V eller 21V	Inkoppling: 12V eller 24V	
Drifttemperaturintervall	Full belastning: -40 °C till +40 °C (upp till 60 % av nominell belastning vid 50 °C)		
Anslutning	M6	M8	M8
Vikt	0.2 kg 0.5 pund	0.5 kg 1.1 pund	0.8 kg 1.8 pund
Dimensioner (h x b x d)	40 x 48 x 106 mm 1.6 x 1.9 x 4.2 tum	59 x 42 x 4.2 mm 2.4 x 1.7 x 4.6 tum	62 x 123 x 4.6 mm 2.5 x 4.9 x 4.8 tum

Exempel på kopplingschema



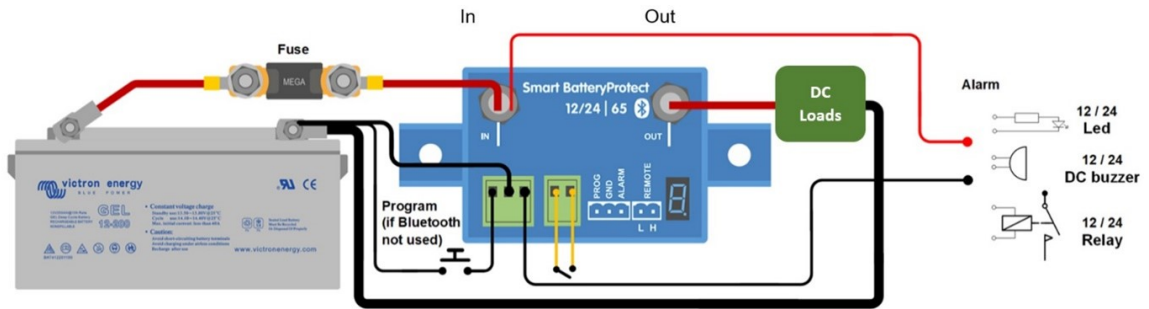


Bild 1: Kopplingschema för SBP-65 (använd fjärringången för systemets av/på-funktion)

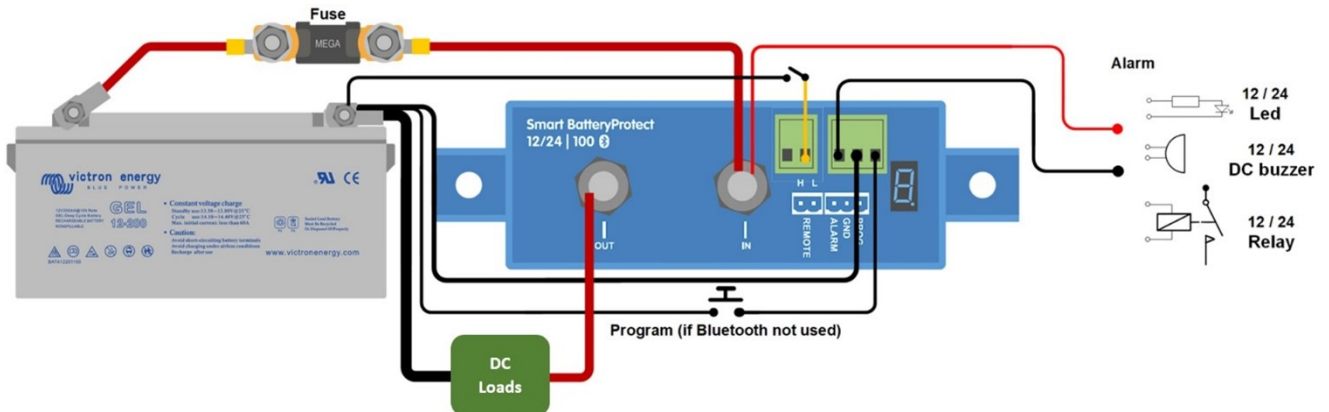


Bild 2: Kopplingschema för SBP-100 och SBP-220 (använd fjärringången för systemets av/på-funktion)

- 2.1 H remote (Fjärterminal H kan kopplas till batteriets pluspol för att slås på).
 - 2.2 L remote (Fjärterminal L kan kopplas till batteriets minuspol för att slås på)
- 1.1 ALARM
 - 1.2 GND
 - 1.3 PROG

Bild 3: Kopplingar och stiftnumrering

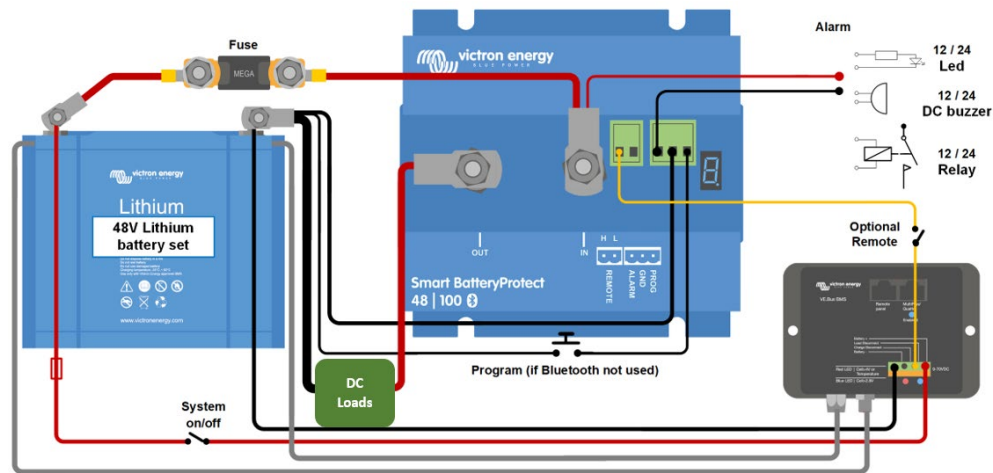


Bild 4: System med litiumjonbatteri (tillämpligt med Ve.Bus BMS eller smallBMS)

OBS: När den är i litiumjonläge kommer SBP att koppla ifrån när H-ingången flyter fritt och den kommer att förbli fränkopplad i 30 sekunder även om det får en återtillkopplingsignal under den tiden. Efter 30 sekunder kommer den att svara omedelbart på en återtillkopplingsignal. Därför blir det normalt inte någon väntetid om SBP används som en av/på-brytare för systemet (koppla systemets av/på-brytare till den positiva ingången på BMS i detta syfte). På samma sätt kommer SBP att vara fränkopplad i 30 sekunder om systemet stängs av på grund av för låg cellspänning, även om det återfår signal inom den perioden (vilket kommer att hända om inga andra belastningar är kopplade till batteriet). Efter tre försök att återkoppla kommer SBP att vara fränkopplad till dess att batterispänningen har ökat till mer än 13 V (resp. 26 V) i minst 30 sekunder (vilket är ett tecken på att batteriet håller på att laddas). Batteriskyddets underspänningströskel och larmutgång är inaktiva i detta läge.

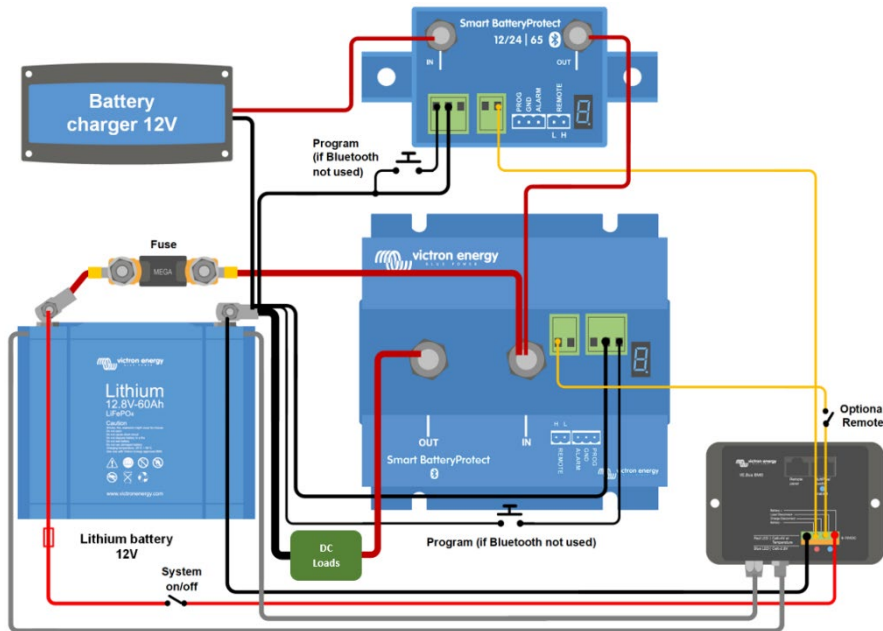


Bild 5: Ett andra Smart BatteryProtect mellan en batteriladdare eller MPPT solcellsladdningsregulator och ett litiumjonbatteri (tillämpligt med VE.Bus BMS eller smallBMS)

Det andra SBP ersätter ett Cyrix-Li-laddningsrelä (fördelar: lägre strömförbrukning, larmrelä) (ej tillämpligt om laddaren har fjärrstyrda av-på-kontakter och kan styras med en gränssnittskabel mellan BMS och laddaren)

Välj program för denna användning.

Obs: okontrollerad backström kommer att flyta genom ett smart batteriskydd om $V_{ut} > V_{in}$. Använd därför aldrig ett Smart BatteryProtect för laddning batteri till batteri.

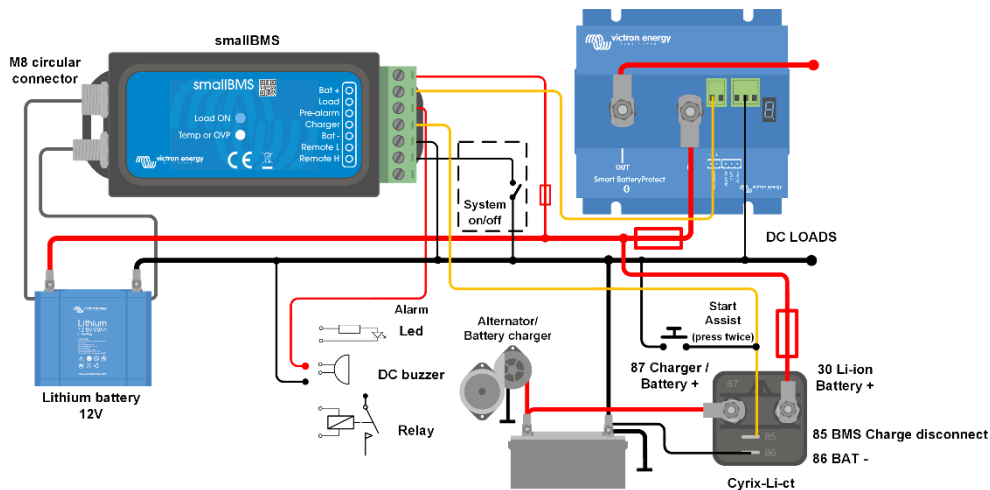


Bild 6: Användningsexempel för ett fordon eller en båt, med av/på-brytare mellan H och L. (Tillämpligt med VE.Bus BMS eller smallBMS)

BILAGA

Fel-/varningskoder

E0: Kalibreringsfel

Internt fel – kalibreringsdata felaktig eller saknas

Kontakta återförsäljare för support – felet kan inte åtgärdas av användaren och SBP kräver utbyte

E1: Kortslutning

Kortslutningsskyddet aktiveras i händelse av en kortslutning, en överbelastning eller för hög ingångsström - som när man försöker att direkt strömförse en växelriktare.

1. Kontrollera om det förekommer någon kortslutning
2. Kontrollera att belastningens strömförbrukning inte överstiger SBP:s strömkapacitet.
3. Använda SBP för att styra av/på-fjärrbrytaren på belastningar med hög ingångsström, istället för att direkt strömförse/koppla ifrån DC-inmatningen
4. Kolla efter lösa/höga resistansanslutningar och säkerställ att korrekta kabelmått används i installationen.

P2. Varning för övertemperatur

Brådskande åtgärd krävs för att förhindra belastningsfrånkoppling

Intern temperatur nära gränsen. Skyddet mot övertemperatur kommer att aktiveras om temperaturen fortsätter att stiga

E2: Övertemperatur

Skyddet mot övertemperatur aktiveras i händelse av för hög intern temperatur

1. Kontrollera att belastningens strömförbrukning inte överstiger SBP:s strömkapacitet.
2. Kolla efter lösa/höga resistansanslutningar och säkerställ att korrekta kabelmått används i installationen.
3. Installera inte SBP-enheten på en plats som utsätts för höga temperaturer eller solljus - flytta SBP till en svalare plats eller förse den med ytterligare aktiv nedkylning.

P3: Underspänningsvarning

Brådskande åtgärd krävs för att förhindra belastningsfrånkoppling

Skyddet mot underspänning kommer att aktiveras inom 90 sekunder om ingen åtgärd vidtas

E3: Underspänning

Skyddet mot underspänning aktiveras om ingångsspänningen sjunker under den fastställda underspänningsgränsen i 90 sekunder.

1. Stäng av/koppla ifrån belastningarna och ladda upp batteriet
2. Kontrollera att laddningssystem och batteri fungerar korrekt

E4: Överspänning

Skyddet mot överspänning aktiveras om ingångsspänningen överstiger 64 V

Skyddet mot överspänning aktiveras om ingångsspänningen överstiger 16 V (för 12 V-system) eller 32 V (för 24 V-system)

1. Bekräfta konfigurationen av alla laddningsenheter i systemet – särskilt inställningarna för systemspänning och laddningsspänning.
2. Kontrollera att laddningssystemet fungerar korrekt
3. Bekräfta att konfigurationen av SBP:s systemspänning är korrekt

E5: Konfigureringsfel

Internt fel – konfigureringsdata felaktig eller saknas

För att återställa SBP från detta läge:

1. Återställ enheten till fabriksinställningar i Inställningar > Fler alternativ > Återställ till fabriksinställningar
2. Koppla bort all ström och vänta i 3 minuter innan återkoppling
3. Konfigurera om enheten enligt behov

E6: Fel referensspänning

Internt fel – referensspänningsdata felaktig eller saknas

Kontakta återförsäljare för support – felet kan inte åtgärdas av användaren och SBP kräver utbyte

E7: BMS-spärr

BMS-spärrskydd aktiveras i händelse av att den externa BMS:en kräver av SBP att stänga av och sedan starta om tre gånger i följd (typiskt beteende vid avstängning på grund av låg cellspänning)

När E7 aktiveras kommer SBP att förbli avstängd tills ingångsspänningen överstiger 52 V

1. Kontrollera BSM felkoder/logg för att identifiera orsaken till avstängningen och korrigera felet
2. Stäng av/koppla ifrån belastningarna och ladda upp batteriet
3. Kontrollera kablar mellan BMS och SBP-fjärrterminal
4. Kontrollera att BMS fungerar korrekt

E8: Backström

Skyddet mot backström aktiveras om backström detekteras

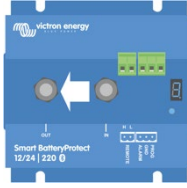
VIKTIGT! SBP är utformad för att ENDAST tillåta strömflöde från IN- till UT-terminaler. Backström är strängt förbjuden och kan orsaka SBP permanenta skador.

1. Kontrollera att SBP-installationens orientering är korrekt - strömflödet måste vara från IN till UT (se exempel på kabeldiagram)
2. Bekräfta att inga laddningskällor är felaktigt kopplade till SBP:s utgångsterminal/krets
3. Om SBP används för att koppla ifrån en laddningskälla, säkerställ att det inte finns några belastningar som är felaktigt kopplade till SBP:s ingångsterminal/krets

**Smart BatteryProtect 12/24V
DEUTSCH**

Installation

- Der Smart BatteryProtect (SBP) muss in einem gut belüfteten Bereich und vorzugsweise in der Nähe der Batterie (aber aufgrund möglicher korrosiver Gase nicht über der Batterie!) installiert werden. **Der Spannungsabfall über ein langes oder unterdimensionales Kabel zwischen Batterie plus und SBP kann zu einem Kurzschlussalarm beim Starten der Last oder zu einem unerwarteten Abschalten führen.**
- Eine entsprechend dimensionierte Sicherung muss entsprechend den örtlichen Vorschriften in das Kabel zwischen Batterie und SBP eingesetzt werden.
- Das SBP ist so konzipiert, dass der Strom nur von den IN- (Batterie) zu den OUT- (Last) Klemmen fließen kann.
- Rückströme von OUT- zu IN-Klemmen sind strengstens verboten und führen zu Schäden am Gerät. Wenn Sie das SBP als Trennvorrichtung für eine Ladequelle verwenden möchten, müssen Sie das Gerät im System so ausrichten, dass der Strom in die vorgesehene Richtung fließt, IN nach OUT.
- Der Kurzschlusschutz des SBP wird aktiviert, wenn Sie versuchen, Lasten mit Kondensatoren direkt an deren Eingang anzuschließen (z.B. Wechselrichter). Für diesen Anwendungsfall verwenden Sie bitte das SBP, um den ferngesteuerten Ein-/Ausschalter am Wechselrichter zu steuern, anstatt die Gleichstromleitung mit höherer Leistung zu trennen.
- Verwenden Sie für die GND-Klemme einen 1,5 mm²-Draht (im Lieferumfang enthalten), der direkt mit dem Minuspol der Batterie (oder dem Chassis eines Fahrzeugs) verbunden werden sollte. Es dürfen keine anderen Geräte mit diesem Draht verbunden sein.
- Der SBP erkennt die Systemspannung automatisch **nur einmal** beim ersten Einschalten. Die gewählte Spannung (12 oder 24V) wird gespeichert und die weitere automatische Erkennung wird deaktiviert. Sehen **d** Sie in der Programmierstabelle nach, wie Sie sie zurücksetzen können, wenn Sie das SBP bei einer anderen Installation wiederverwenden oder Bluetooth verwenden.
- Schließen Sie den Lastausgang erst an, wenn das SBP vollständig programmiert ist.
- Zwischen Fern-H und Fern-L kann ein Fern-Ein-/Aus-Schalter angeschlossen werden (siehe Abbildung 1). Alternativ kann die Klemme H hoch (auf Pluspol der Batterie) oder die Klemme L niedrig (auf Minuspol der Batterie) geschaltet werden.
- Ein Summer, eine LED oder ein Relais kann zwischen der Alarmausgangsklemme und dem Pluspol der Batterie angeschlossen werden (siehe Abbildung 1). Maximale Last am Alarmausgang: 50 mA (kurzschlussfest)



Technische Daten

Smart BatteryProtect	SBP-65	SBP-100	SBP-220
Maximum unterbrechungsfreier Laststrom	65A	100A	220A
Spitzenstrom	250A	600A	600A
Betriebsbereich Spannung	6–35 V		
Stromverbrauch	BLE an	Wenn an: 1.4 mA Wenn aus oder nach Abschalten bei niedriger Spannung: 0.9 mA	
	BLE aus	Wenn an: 1.2 mA Wenn aus oder nach Abschalten bei niedriger Spannung: 0.7 mA	
Verzögerung Alarmausgang	12 Sekunden		
Maximale Last am Alarmausgang	50 mA (kurzschlussfest)		
Verzögerung Last abschalten	90 Sekunden (sofort, wenn durch das VE.Bus BMS ausgelöst)		
Verzögerung Last wieder einschalten	30 Sekunden		
Standardschwellwerte	Ausschalten: 10.5V oder 21V Einschalten: 12V oder 24V		
Betriebstemperaturbereich	Volle Last: -40°C bis +40°C (bis zu 60 % des Nominalwertes der Last bei 50°C)		
Anschluss	M6	M8	M8
Gewicht	0.2kg 0.5 Pfund	0.5kg 1.1 Pfund	0.8kg 1.8 Pfund
Abmessungen (HxBxT)	40 x 48 x 106 mm 1.6 x 1.9 x 4.2 Zoll	59 x 42 x 115 mm 2.4 x 1.7 x 4.6 Zoll	62 x 123 x 120 mm 2.5 x 4.9 x 4.8 Zoll

Vorfälle, die zum Abschalten der Last führen, und Optionen für den Alarmausgang

Akustischer Alarm oder LED-Modus (es ist ein akustischer Alarm oder eine LED an den Alarm-Ausgang angeschlossen):

- Im Falle einer auftretenden Unterspannung schaltet sich nach 12 Sekunden ein anhaltender Alarm ein. Das SBP wird die Last nach 90 Sekunden abschalten und der Alarm wird gestoppt. Wiedereinschaltungsverzögerung: 30 Sekunden
- Im Falle einer auftretenden Überspannung wird die Last sofort abgeschaltet und ein periodischer Alarm bleibt solange eingeschaltet, bis das Problem mit der Überspannung gelöst wurde. Es gibt keine Wiedereinschaltungsverzögerung.

Relais-Modus (ein Relais ist an den Alarmausgang angeschlossen):

- Im Falle einer auftretenden Unterspannung spricht nach 12 Sekunden ein Relais an. Das SBP wird die Last nach 90 Sekunden abschalten und das Relais wird deaktiviert.
- Bei einer auftretenden Überspannung wird die Last sofort abgeschaltet und der Alarmausgang bleibt nicht aktiv. Überspannungsauslösestufen: 16V bzw. 32V

Lithium-Ionen-Modus:

- Schließen Sie den Lasttrennungsausgang des VE.Bus BMS an die Fern-H-Klemme an. Die Last wird sofort abgeschaltet, wenn der Lastabschaltausgang des VE.Bus BMS von "hoch" auf "freischwebend" wechselt (aufgrund von Batteriezellen unter Spannung, Überspannung oder Übertemperatur). Die Schwellwerte für die Unterspannung und Alarmausgang des SBP sind in diesem Modus inaktiv.

Betrieb

Es gibt 9 mögliche Fehlermodi und 2 Warnmodi, die durch die 7-Segment-Anzeige und innerhalb von VictronConnect angezeigt werden, wenn ein Bluetooth-fähiges Smartphone oder Tablet verwendet wird:

- E 1 Kurzschluss festgestellt
- E 2 Überlast oder Übertemperatur / P2 Übertemperaturwarnung
- E 3 Unterspannung / P3 Unterspannungswarnung
- E 4 Überspannung
- E 5 Fehler bei den Einstellungen
- E 6 Referenzspannungsausfall
- E 7 BMS Ausspernung

Nach 5 Minuten wird der Fehler nicht länger angezeigt, um den Stromverbrauch zu senken.

Weitere Informationen zu den einzelnen Fehlern finden Sie im Anhang.

Der Dezimalpunkt der 7-Segmentanzeige wird für die Statusanzeige verwendet:

- Auf Festkörper: Das SBP versucht, den Ausgang zu aktivieren.
- Er blinkt alle 5 s: Ausgang ist aktiv
- Blinkt alle 2 Sekunden im Lithium-Ionen-Modus: Ausgang "Verbinden".

Fernsteuerung und Kurzschluss

- Der BP wird die Last 1 Sekunde, nachdem der Fernsteuerungskontakt geschlossen wurde, verbinden.
- Das SBP wird die Last sofort abschalten, wenn der Fernsteuerungskontakt geöffnet wird.
- Im Lithium-Ionen-Modus beobachtet das SBP eine Totzeit von 30 Sekunden, nachdem der externe Eingang des SBP freischwebend geworden ist. Eine detaillierte Beschreibung finden Sie im Hinweis unter Abbildung 4.
- Im Falle eines Kurzschlusses versucht das SBP alle 5 Sekunden, die Last anzuschließen. Nach zwei Versuchen wird das Display **E 1** (Kurzschluss festgestellt) anzeigen.

Programmierung

Im ausgeschalteten Zustand (ferngesteuert offen) kann das SBP programmiert werden, indem der PROG-Pin mit der Masse verbunden wird. Alternativ kann es mit einem Bluetooth-fähigen Smartphone oder Tablet über VictronConnect programmiert werden.

Die 7-Segmentanzeige führt zunächst durch die Abschalt- und Wiederanlaufspannungen. Wenn die gewünschte Spannung angezeigt wird, trennen Sie den Pol PROG.

Das Display wird die gewählte Spannung und den Standardmodus (**H**) zweimal bestätigen.

Schließen Sie den PROG-Pin wieder an die Masse an, wenn ein anderer Modus (**b**, **C** oder **d**) erforderlich ist. Trennen Sie die Verbindung, wenn der gewünschte Modus angezeigt wird.

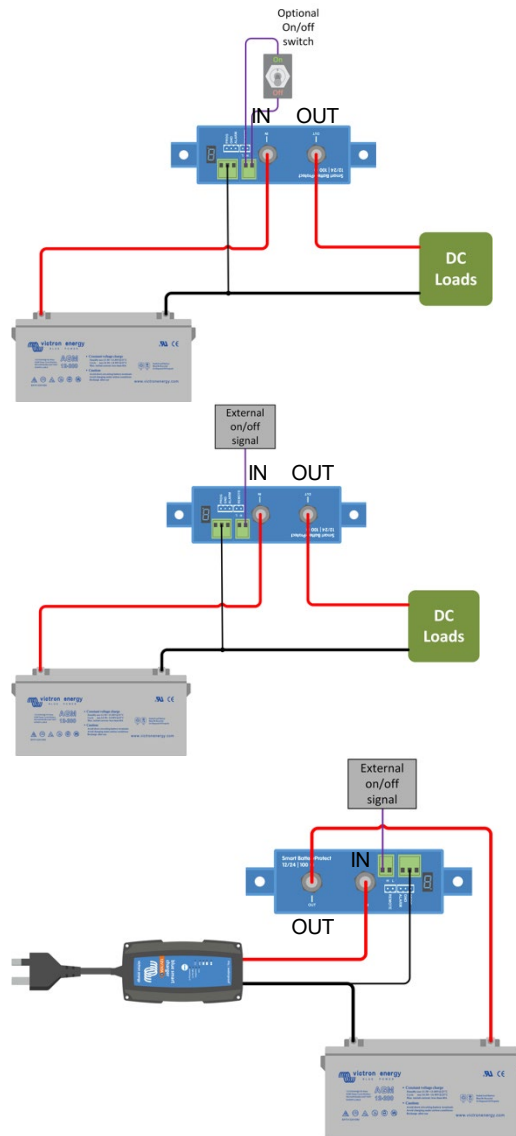
Das Display wird die ausgewählte Spannung und den Modus zweimal bestätigen.

Bluetooth kann mit der VictronConnect App oder durch Verbinden des PROG-Pins mit der Masse und durch Auswählen **F** (Aktivieren) oder **h** (Deaktivieren) deaktiviert bzw. wieder aktiviert werden. Siehe untenstehende Tabelle

Programmierungstabelle

7-Segmentanzeige	Abschalten wegen Unterspannung 12V / 24V System	Neustart nach Unterspannung 12V / 24V System
0	10.5V/21V	12V/24V
1	10V/20V	11.5V/23V
2	9.5V/19V	11.5V/23V
3	11.25V/22.5V	13.25V/26.5V
4	11.5V/23V	13.8V/27.6V
5	10.5V/21V	12.8V/25.6V
6	11.5V/23V	12.8V/25.6V
7	11.8V/23.6V	12.8V/25.6V
8	12V/24V	13V/26V
9	10V/20V	13.2V/26.4V
-	Benutzerdefinierte Einstellungen mit Bluetooth	
H	Akustischer Alarm oder LED-Modus	
b	Relais-Modus	
C	Lithium-Ionen-Modus	
d	Systemspannung erkennen	
F	Bluetooth aktivieren	
h	Bluetooth deaktivieren	

Beispiel-Schaltpläne



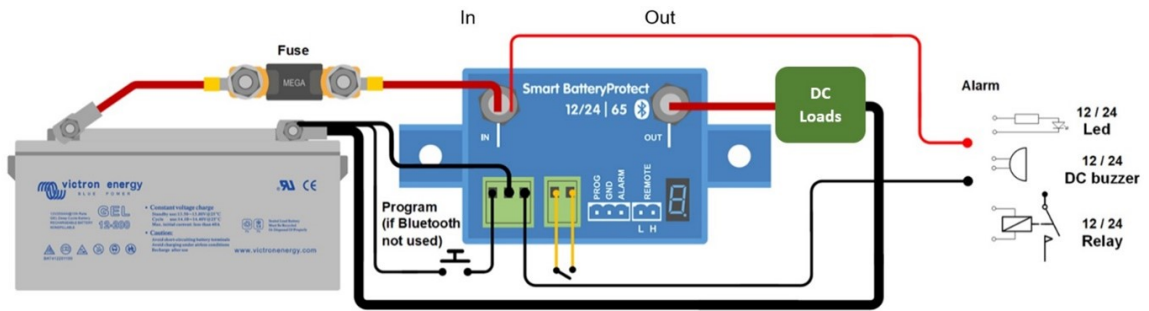


Abbildung 1: Anschlussplan des SBP-65 (verwenden Sie den Fern-Eingang für die System-Ein/Aus-Funktionalität)

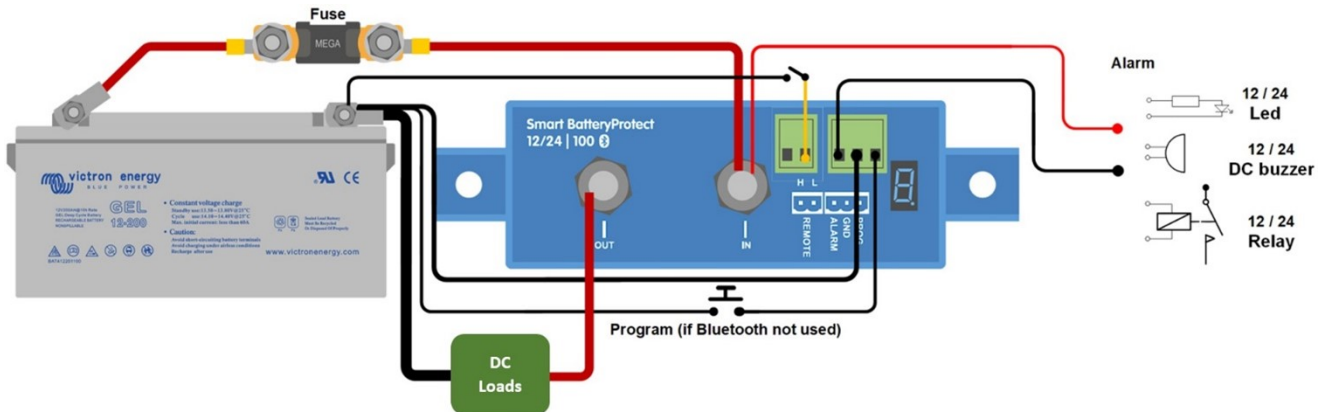


Abbildung 2: Anschlussplan des SBP-100 und SBP-220 (verwenden Sie den Fern-Eingang für die System-Ein/Aus-Funktionalität)

- 2.1 H remote (Fern- H-Klemme, angeschlossen auf Batterie-Plus zum Einschalten)
- 2.2 L remote (Fern-L-Klemme, angeschlossen auf Batterie-Minus zum Einschalten)
- 1.1 ALARM
- 1.2 GND
- 1.3 PROG

Abbildung 3: Steckverbinder und Pin-Nummerierung

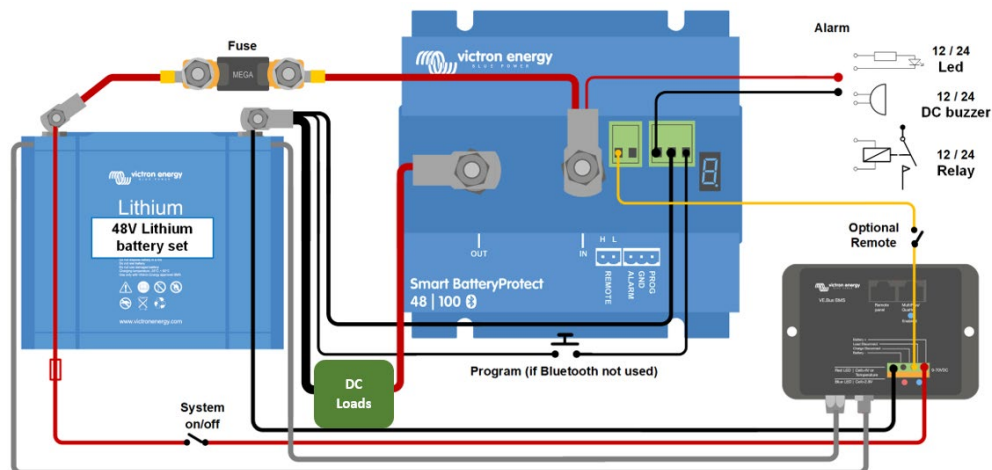


Abbildung 4: System mit Li-Ionen-Akku (einsetzbar mit VE.Bus BMS oder smallBMS)

Hinweis: Im Lithium-Ionen-Modus schaltet sich der SBP aus, wenn der H-Eingang frei beweglich wird, und bleibt für 30 Sekunden deaktiviert, auch wenn er innerhalb dieses Zeitraums ein Wiedereinrastsignal erhält. Nach 30 Sekunden reagiert es sofort auf ein Wiedereinrastsignal. Daher gibt es in der Regel keine Wartezeit, wenn die SBP als System-Ein/Aus-Schalter verwendet wird (verdrahten Sie dazu den System-Ein/Aus-Schalter in die positive Versorgung des BMS). Ebenso bleibt das SBP, wenn ein System aufgrund einer niedrigen Zellenspannung abgeschaltet wurde, für 30 Sekunden abgeschaltet, auch wenn es innerhalb dieses Zeitraums ein Wiedereinrastsignal empfängt (was geschieht, wenn keine anderen Verbraucher an die Batterie angeschlossen sind). Nach 3 Versuchen des Wiedereinkuppelns bleibt der SBP ausgeschaltet, bis die Batteriespannung für mindestens 30 Sekunden auf mehr als 13V (bzw. 26V) gestiegen ist (was ein Zeichen dafür ist, dass die Batterie wieder aufgeladen wird). Die Schwellwerte für die Unterspannung und Alarmausgang des SBP sind in diesem Modus inaktiv.

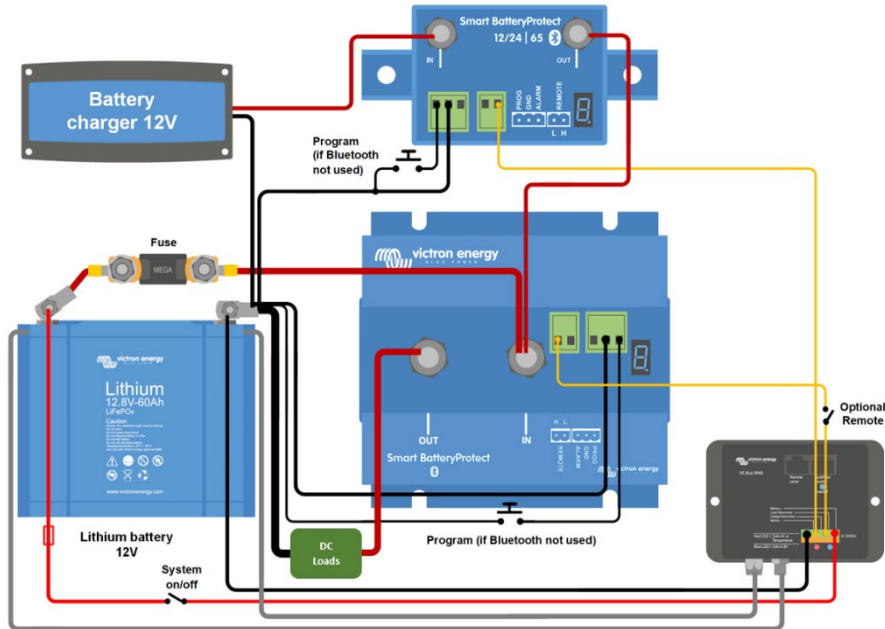


Abbildung 5: Zweiter Smart BatteryProtect zwischen einem Batterieladegerät oder MPPT Solarladeregler und einem Li-Ionen-Akku (anwendbar mit VE.Bus BMS oder smallBMS)

Das zweite SBP ersetzt ein Cyrix-Li-Laderelais (Vorteile: geringerer Stromverbrauch, Alarmrelais). (entfällt, wenn das Ladegerät über Fern-Ein/Aus-Kontakte verfügt und mit einem Schnittstellenkabel zwischen BMS und Ladegerät gesteuert werden kann).

Wählen Sie das Programm **L** für diese Anwendung aus.

Achtung: Unkontrollierter Rückstrom fließt durch einen Smart BatteryProtect, wenn $V_{out} > V_{in}$. Verwenden Sie daher niemals einen Smart BatteryProtect für das Laden von Batterie zu Batterie.

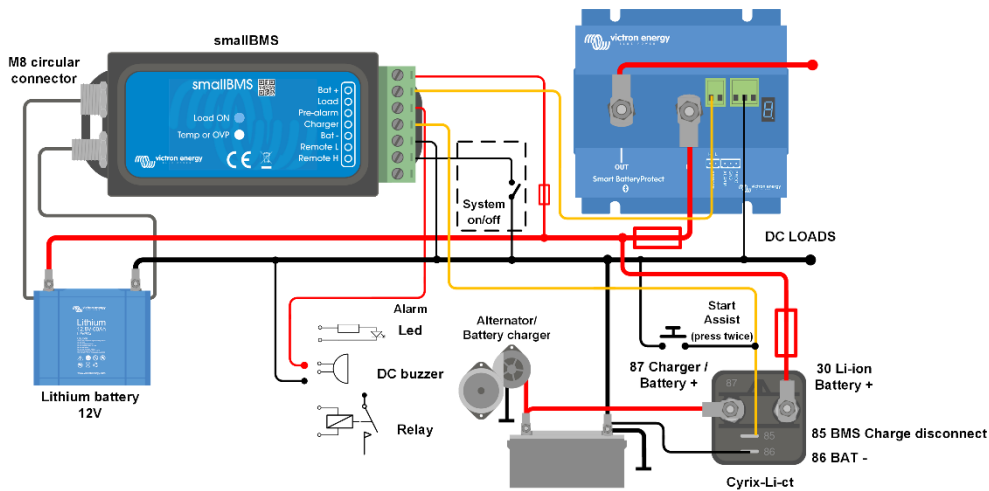


Abbildung 6: Anwendungsbeispiel für ein Fahrzeug bzw. ein Boot, mit einem Ein-/Aus-Schalter zwischen H und L. (gilt für VE.Bus BMS oder smallBMS)

ANHANG

Fehler-/Warncodes

E0: Kalibrierfehler

Interne Fehlfunktion - Ausfall/Fehlen von Kalibrierdaten

Wenden Sie sich an den Händler, um Unterstützung zu erhalten - Der Fehler kann vom Benutzer nicht behoben werden und SBP muss ersetzt werden.

E1: Kurzschluss

Der Kurzschlusschutz wird im Falle eines Kurzschlusses, einer Überlastbedingung oder eines übermäßigen Einschaltstroms aktiviert - z. B. beim Versuch, einen Wechselrichter direkt zu speisen.

- 1- Prüfen Sie auf einen potenziellen Kurzschlussfall
- 2- Bestätigen Sie, dass die Laststromaufnahme den SBP-Strom-Nennwert nicht überschreitet
- 3- Verwenden Sie den SBP zur Steuerung des Fern-Ein-/Ausschalters bei Lasten mit hohen Einschaltströmen, anstatt die Gleichstromversorgung direkt ein- und auszuschalten.
- 4- Prüfen Sie auf lose/hochohmige Verbindungen und stellen Sie sicher, dass in der Installation eine geeignete Messgeräteverkabelung verwendet wird.

P2: Übertemperatur-Warnung

Dringendes Eingreifen erforderlich, um eine Lastabschaltung zu verhindern

Innentemperatur nahe am Grenzwert. Der Übertemperaturschutz wird aktiviert, wenn die Temperatur weiter ansteigt.

E2: Überhitzung

Der Übertemperaturschutz wird bei einer zu hohen Innentemperatur aktiviert.

- 1- Bestätigen Sie, dass die Laststromaufnahme den SBP-Strom-Nennwert nicht überschreitet
- 2- Prüfen Sie, ob die Verbindungen locker/hochohmig sind, und stellen Sie sicher, dass in der Installation eine geeignete Messgeräteverkabelung verwendet wird.
- 3- Installieren Sie die SBP-Einheit nicht an einem Ort, der hohen Temperaturen oder Strahlungswärme ausgesetzt ist - verlegen Sie die SBP-Einheit an eine kühlere Stelle oder sorgen Sie für zusätzliche aktive Kühlung.

S. 3: Unterspannungswarnung

Dringendes Eingreifen erforderlich, um eine Lastabschaltung zu verhindern

Der Unterspannungsschutz wird in 90 Sekunden aktiviert, wenn keine Maßnahmen ergriffen werden.

E3: Unterspannung

Der Unterspannungsschutz wird aktiviert, wenn die Eingangsspannung 90 Sekunden lang unter die gewählte Unterspannungsgrenze fällt.

- 1- Lasten ausschalten/abtrennen und die Batterie wieder aufladen
- 2- Überprüfung des Ladesystems und der Batterie auf ordnungsgemäßen Betrieb

E4: Überspannung

Der Überspannungsschutz wird aktiviert, wenn die Eingangsspannung 64 V übersteigt.

Der Überspannungsschutz wird aktiviert, wenn die Eingangsspannung 16 V (bei 12 V-Systemen) oder 32 V (bei 24 V-Systemen) übersteigt.

- 1- Bestätigen Sie die Konfiguration aller Ladegeräte im System - insbesondere die Einstellungen der Systemspannung und der Ladespannung
- 2- Prüfen Sie das Ladesystem auf ordnungsgemäßen Betrieb
- 3- Bestätigen Sie, dass die Konfiguration der SBP-Systemspannung korrekt ist

E5: Konfigurationsfehler

Interne Fehlfunktion - Ausfall/Fehlen von Konfigurationsdaten

- SBP aus diesem Zustand wiederherzustellen;
- 1- Setzen Sie das Gerät auf die Werkseinstellungen zurück unter - Einstellungen > Weitere Optionen > Auf Standardeinstellungen zurücksetzen
 - 2- Trennen Sie die gesamte Stromversorgung und warten Sie 3 Minuten, bevor Sie die Verbindung wieder herstellen
 - 3- Konfigurieren Sie die Einheit nach Bedarf neu

E6: Ausfall der Referenzspannung

Interne Fehlfunktion - Ausfall/Fehlen der Referenzspannung

Wenden Sie sich an den Händler, um Unterstützung zu erhalten - Der Fehler kann vom Benutzer nicht behoben werden und SBP muss ersetzt werden.

E7: BMS-Sperre

Der BMS-Spererschutz wird aktiviert, wenn das externe BMS den SBP auffordert, sich nacheinander auszuschalten und dann dreimal wieder einzuschalten (typisches Verhalten bei einer Abschaltung aufgrund niedriger Zellspannung).

Sobald E7 aktiviert ist, bleibt der SBP deaktiviert, bis die Eingangsspannung 52 V übersteigt.

- 1- Überprüfen Sie die BMS-Fehlercodes/Protokoll, um die Ursache der Abschaltung zu identifizieren und das Problem zu beheben
- 2- Schalten Sie Lasten aus/trennen Sie sie ab und laden Sie die Batterie auf
- 3- Prüfen Sie die Verdrahtung zwischen BMS und SBP Fern-Klemme
- 4- Überprüfen Sie das BMS auf ordnungsgemäßen Betrieb

E8: Rückstrom

Der Rückstromschutz wird aktiviert, wenn ein Rückstromfluss festgestellt wird

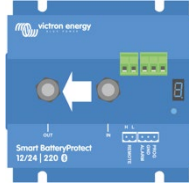
ACHTUNG: SBP ist so ausgelegt, dass ein Stromfluss NUR von den IN- zu den OUT-Klemmen zugelassen oder verhindert wird. Ein Rückstromfluss ist streng verboten und kann den SBP dauerhaft beschädigen.

- 1- Überprüfen Sie, ob die Ausrichtung der SBP-Installation korrekt ist - der Stromfluss muss von IN nach OUT erfolgen (siehe Beispielschaltpläne)
- 2- Vergewissern Sie sich, dass keine Ladequellen versehentlich an die Klemme/Schaltkreis SBP OUT angeschlossen sind.
- 3- Wenn der SBP zum Trennen einer Ladequelle verwendet wird, stellen Sie sicher, dass keine Lasten versehentlich an die Klemme/Schaltkreis des SBP IN angeschlossen sind

Smart BatteryProtect 12/24V
PORTUGUÊS

Instalação

1. Instale o protetor Smart BatteryProtect (SBP) num local bem ventilado e próximo da bateria (máx. 50 cm), mas não sobre a mesma, por causa dos eventuais gases corrosivos! **A queda de tensão provocada por um cabo demasiado comprido ou subdimensionado entre a bateria e o SBP pode provocar um alarme de curto-circuito ao ligar a carga ou uma paragem inesperada.**
 2. Instale um fusível com a dimensão adequada no cabo que liga a bateria ao SBP, em conformidade com os regulamentos locais.
 3. O SBP foi projetado para permitir o fluxo de corrente apenas dos terminais IN (bateria) para OUT (carga).
- As correntes inversas dos terminais OUT para IN são estritamente proibidas e danificarão o dispositivo. Se quiser usar o SBP como uma desconexão para a fonte de carga, deve orientar a unidade no sistema de modo que a corrente flua na direção pretendida, IN para OUT.
4. A proteção de curto-circuito do SBP será ativada se tentar conectar cargas diretamente cargas com condensadores na entrada (p. ex., inversores). Para esta utilização, inclua o SBP para controlar o botão ligar/desligar remoto no inversor, em vez de desligar a linha CC de potência superior.
 5. Utilize um cabo de 1,5 mm² (incluído) na conexão GND, que deve ligar diretamente ao terminal negativo da bateria (ou ao chassis de um veículo). Não deve ligar o cabo a outro equipamento.
 6. O SBP deteta automaticamente a tensão do sistema **uma vez apenas** durante o arranque inicial. A tensão selecionada (12 V ou 24 V) fica guardada e a detecção automática é desativada. Veja **d** na tabela de programação a forma de reiniciar o equipamento ao reutilizar o SBP numa instalação diferente ou use Bluetooth.
 7. Não ligue a saída de carga enquanto o SBP não estiver completamente programado.
 8. Pode conectar um interruptor de ligar/desligar entre H Remoto e L Remoto (consulte a Figura 1). Em alternativa, pode comutar o terminal H para alto (para o positivo da bateria) ou o terminal L para baixo (para o negativo da bateria).
 9. Pode ligar uma campainha, um LED ou um relé entre o terminal de saída do alarme e o positivo da bateria (ver figura 1). Carga máxima na saída de alarme: 50 mA (à prova de curto-circuito).



Eventos de corte da carga e opções da saída de alarme

Modo campainha ou LED (ligados na saída de alarme):

- Em caso de subtensão: decorridos 12 s, é ativado um alarme contínuo. O SBP desliga a carga passados 90 s e o alarme para. Atraso de reconexão: 30 s.
- Em caso de sobretensão, a carga é desligada automaticamente e o alarme intermitente continua ativo enquanto o problema não for solucionado. Não existe atraso na reconexão.

Modo relé (ligado na saída do alarme):

- Em caso de subtensão, decorrido 12 s, é engatado um relé. O SBP desliga a carga passados 90 s e o relé é desengatado.
- Em caso de sobretensão, a carga é desligada automaticamente imediatamente e a saída do alarme continua inativa. Níveis de ativação de sobretensão: 16 V, 32 V respetivamente

Modo Li-ion

- Conecte a saída desconnectada da carga do VE.Bus BMS ao terminal Remoto H. A carga é desligada automaticamente quando a saída de corte da carga do VE.Bus BMS muda de "Alto" para "Lenta" (devido a subtensão, sobretensão ou sobreaquecimento da bateria). O limiar de subtensão e a saída de alarme do SBP estão desativados neste modo.

Funcionamento

Existem nove modos de erro possível e dois modos de advertências, indicados pelo visor de sete segmentos e na *app* VictronConnect quando utiliza um *smartphone* ou *tablet* com Bluetooth ativado:

- E 1 Curto-circuito detetado
- E 2 Aviso de sobrecarga ou sobreaquecimento / sobreaquecimento P2
- E 3 Aviso de subtensão / subtensão P3
- E 4 Sobretensão
- E 5 Definições de Anomalia
- E 6 Anomalia de Tensão de Referência
- E 7 Bloqueio BMS

O visor deixa de indicar o erro decorridos 5 min para reduzir o consumo de corrente.

Consulte o Apêndice para mais informação sobre os erros. O ponto decimal do visor de sete segmentos indica o estado:

- Fixo: o SBP tenta ativar a saída.
- Piscas a cada 5 s: a saída está ativa.
- Piscas a cada 2 s no modo Li-ion: saída a ligar.

Controlo remoto e curto-circuito

- O SBP liga a carga 1 s depois de fechar o contacto remoto.
- O SBP desliga a carga imediatamente quando o contacto remoto está aberto.
- No modo Li-ion o SBP vai cumprir um período inativo de 30 s depois de a entrada remota do SBP ter ficado em flutuação livre. Consulte na nota sob a Figura 4 uma descrição detalhada.
- Em caso de curto-circuito, o SBP tenta ligar a carga a cada 5 s. O ecrã indica E 1 (curto-circuito detetado) depois de duas tentativas.

Programação

Quando estiver desligado (remoto aberto), o SBP pode ser programado conectando o pino PROG a terra. Em alternativa, pode ser programado através de um *smartphone* ou *tablet* com Bluetooth ativado por meio da *app* VictronConnect. O visor de sete segmentos indica primeiro as tensões de corte e de reinício. Desligue o pino PROG quando visualizar a tensão pretendida.

O visor confirma a tensão selecionada e o modo predefinido (A) duas vezes.

Reconecte o pino PROG a terra se outro modo (b, c ou d) for necessário. Desligue quando visualizar o modo selecionado.

O visor confirma a tensão selecionada e o modo duas vezes.

O Bluetooth pode ser desativado/reactivado com a aplicação VictronConnect ou ao ligar o pino PROG a terra e selecionar F (ativar) ou h (desativar). Consulte o quadro abaixo.

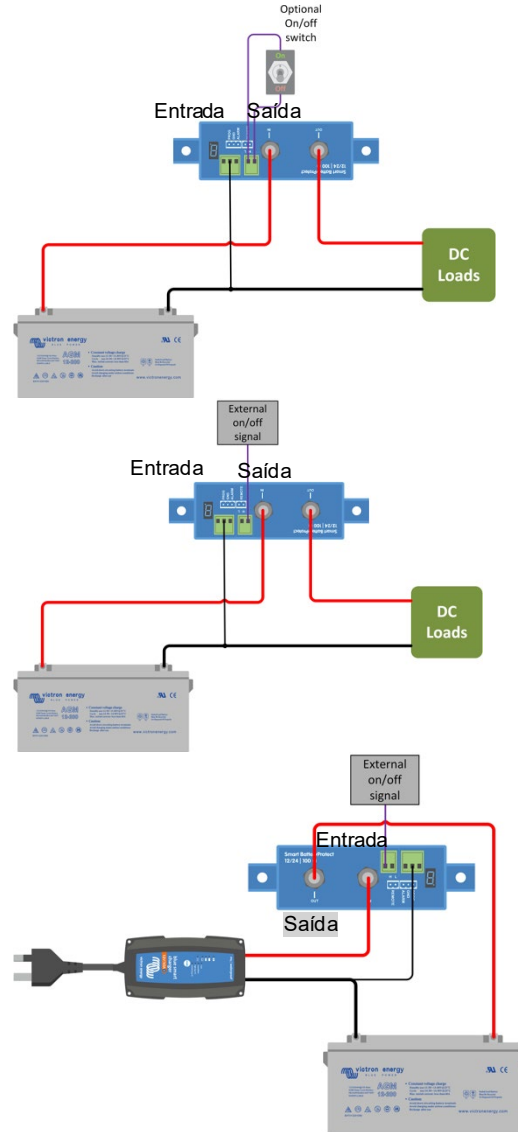
Tabela de programação

Visor de sete segmentos	Corte por subtensão Sistema 12V / 24V	Reinício por subtensão Sistema 12V / 24V
0	10.5V / 21V	12V / 24V
1	10V / 20V	11.5V / 23V
2	9.5V / 19V	11.5V / 23V
3	11.25V / 22.5V	13.25V / 26.5V
4	11.5V / 23V	13.8V / 27.6V
5	10.5V / 21V	12.8V / 25.6V
6	11.5V / 23V	12.8V / 25.6V
7	11.8V / 23.6V	12.8V / 25.6V
8	12V / 24V	13V / 26V
9	10V / 20V	13.2V / 26.4V
-	Definições do utilizador com Bluetooth	
A	Modo de campainha ou LED	
b	Modo de relé	
C	Modo Li-ion	
d	Detetar a tensão do sistema	
F	Bluetooth ativado	
h	Bluetooth desativado	

Especificações técnicas

Smart BatteryProtect	SBP-65	SBP-100	SBP-220
Corrente de carga cont. máxima	65A	100A	220A
Corrente de pico	250A	600A	600A
Intervalo de tensão de funcionamento	6 V - 35 V		
Consumo de corrente	BLE On: Ligado: 1.4 mA Desligado ou corte por baixa tensão: 0.9 mA BLE Off: Ligado: 1.2 mA Desligado ou corte por baixa tensão: 0.7 mA		
Atraso de saída do alarme	12 s		
Carga máxima na saída de alarme	50mA (à prova de curto-circuito)		
Atraso de desconexão da carga	90 s (imediato com ativação por VE.Bus BMS)		
Atraso de conexão da carga	30 s		
Limiares por defeito	Desativação: 10.5 V ou 21 V Ativação: 12V ou 24V		
Temperatura de funcionamento	Carga total: -40 °C a +40 °C (até 60% de carga nominal a 50 °C)		
Ligação	M6	M8	M8
Peso	0.2kg 0.5 lb	0.5kg 1.1 lb	0.8kg 1.8 lb
Dimensões (al x la x pr em mm)	40 x 48 x 106 mm 1.6 x 1.9 x 4.2 in	59 x 42 x 115 mm 2.4 x 1.7 x 4.6 in	62 x 123 x 120 mm 2.5 x 4.9 x 4.8 in

Esquema de ligações exemplificativo



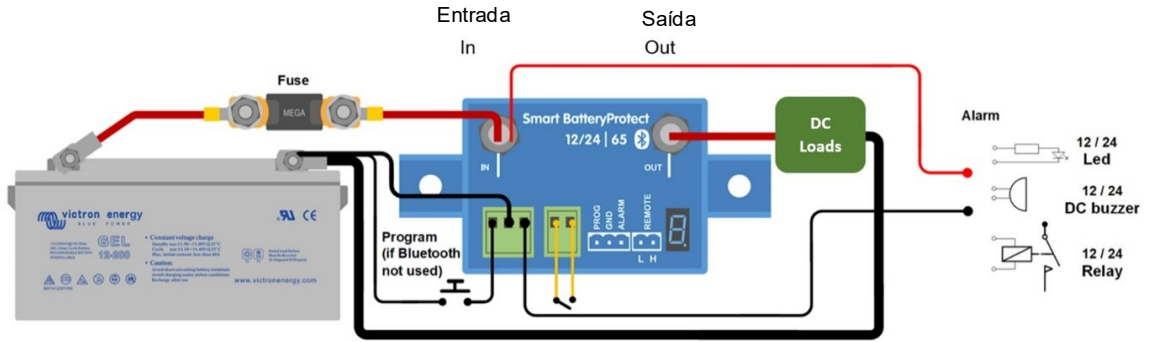


Figura 1: Esquema de ligações do SBP-65 (use a entrada remota para a funcionalidade de ligar/desligar do sistema)

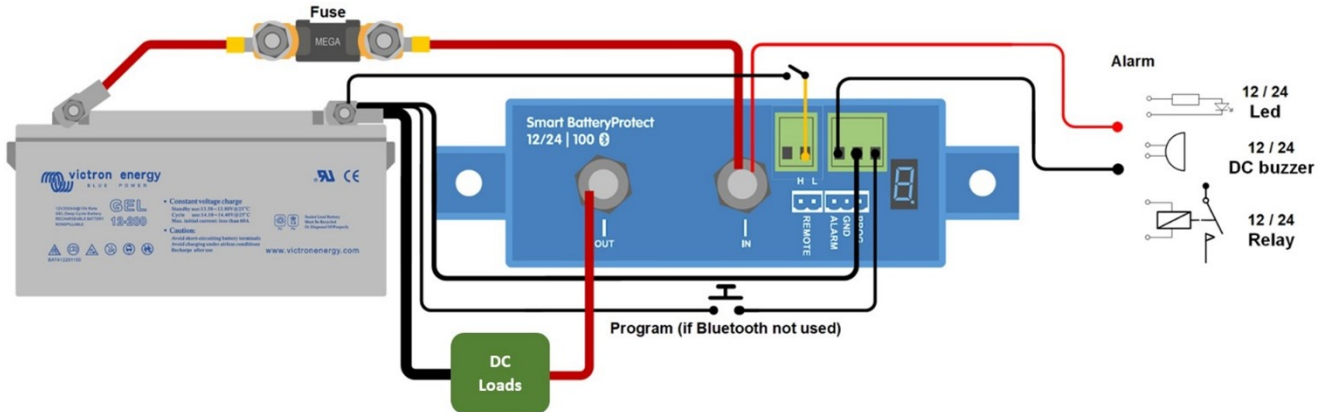


Figura 2: Esquema de ligações do SBP-100 e SBP-220 (use a entrada remota para a funcionalidade de ligar/desligar do sistema)

- 2.1 H remote (Terminal Remoto H, pode ser conectado para o positivo da bateria para ligar)
 - 2.2 L remote (Terminal Remoto L, pode ser conectado para o negativo da bateria para ligar)
- 1.1 ALARM
 - 1.2 GND
 - 1.3 PROG

Figura 3: Numeração de pinos e conectores

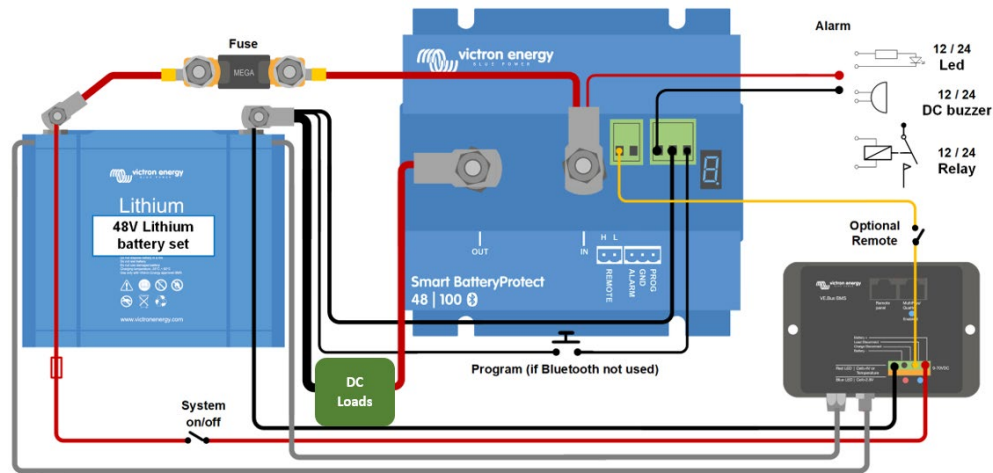


Figura 4: Sistema com bateria Li-ion (aplicável com VE.Bus BMS ou smallBMS)

Nota: No modo Li-ion, o SBP será desativado quando a entrada H ficar em flutuação livre e permanecerá desativado durante 30 s, mesmo se receber um sinal de reativação neste período. Após 30 s responderá imediatamente a um sinal de reativação. Deste modo, normalmente não haverá um tempo de espera se o SBP for usado como um interruptor de ligar/desligar do sistema (realize a cablagem do interruptor de ligar/desligar do sistema na alimentação positiva da BMS para esta finalidade). Da mesma forma, se o encerramento do sistema ocorrer devido a tensão baixa nas células, o SBP vai permanecer desativado durante 30 s, mesmo se receber um sinal de reativação nesse período (o que ocorrerá se não houver mais cargas ligadas à bateria). Após três tentativas de reativação, o SBP vai permanecer desativado até a tensão da bateria superar 13 V (resp. 26 V) durante pelo menos 30 s (o que indica que a bateria está a ser recarregada). O limiar de subtensão e a saída de alarme do SBP estão desativados neste modo.

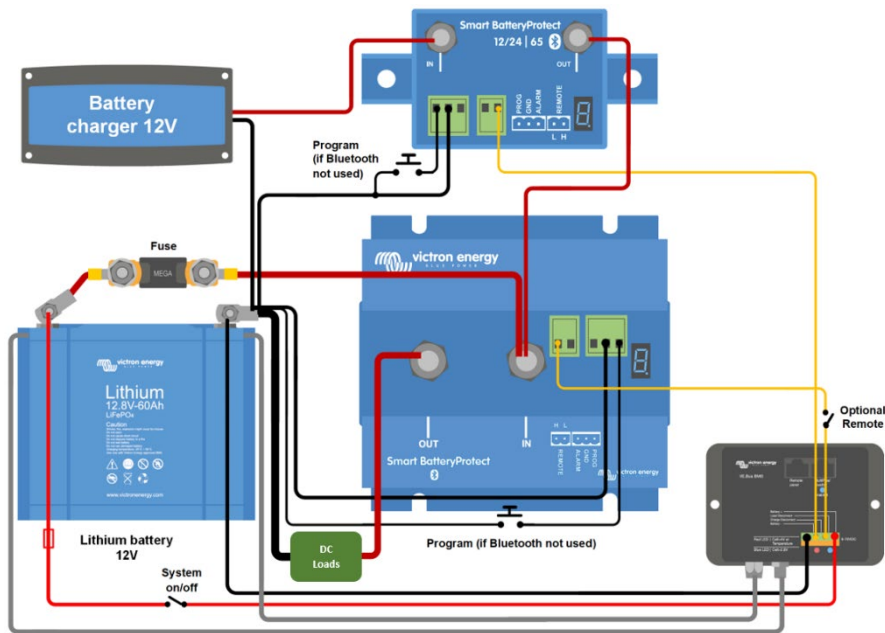


Figura 5: Segundo Smart BatteryProtect entre o carregador de bateria ou o controlador de carga solar MPPT e uma bateria Li-ion (aplicável com VE.Bus BMS ou smallBMS)

O segundo SBP substitui um relé de carga Cyrix-Li. (Vantagens: relé de alarme, baixo consumo).

(Não aplicável se o carregador tiver contactos de ligar/desligar remoto e puder ser controlado com um cabo de interface entre o BMS e o carregador)

Escolha o programa **L** para esta aplicação.

Cuidado: A corrente invertida descontrolada vai fluir através de um Smart BatteryProtect se $V_{out} > V_{in}$. Portanto, nunca utilize um Smart BatteryProtect para o carregamento de bateria para bateria.

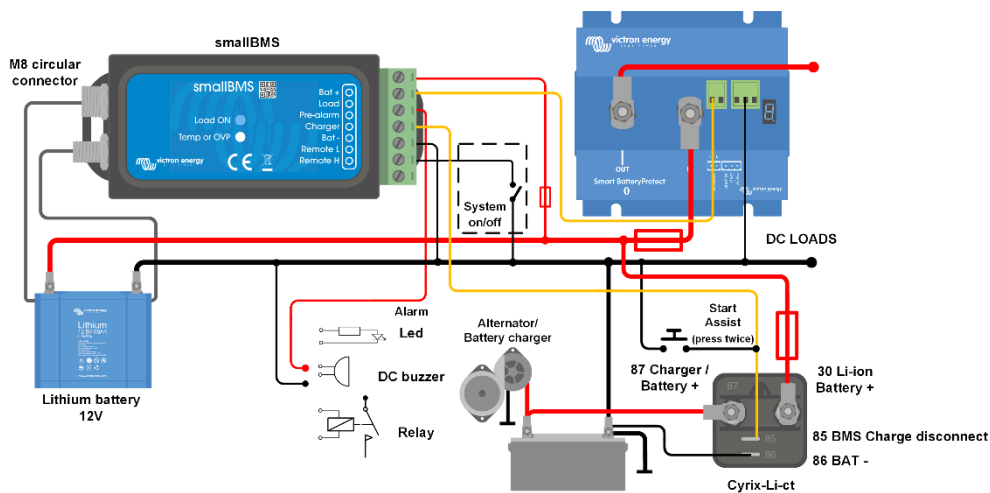


Figura 6: Exemplo de aplicação para um veículo ou barco, com interruptor de ligar/desligar entre H e L (aplicável com VE.Bus BMS ou smallBMS)

APÊNDICE

Erro / Códigos de Advertência

E0: Falha de calibração

Anomalia interna - falha / falta de dados de calibração

Contactar o distribuidor para obter assistência – A anomalia não pode ser corrigida pelo utilizador e o SBP tem de ser substituído

E1: Curto-circuito

A proteção de curto-circuito é ativada na eventualidade de um curto-circuito, de uma condição de sobrecarga ou de uma corrente de irrupção excessiva, como ocorre ao tentar alimentar diretamente um inversor

- 1 - Verifique se existe uma condição de curto-circuito potencial
- 2 - Confirme que o consumo da corrente de carga não supera a corrente nominal do SBP
- 3 - Utilize o SBP para controlar o interruptor de ligar/desligar remoto com correntes de irrupção elevadas, em vez da alimentação direta / desconexão da fonte de alimentação
- 4 - Comprove a existência de ligações soltas / elevada resistência e certifique-se de que utiliza uma cablagem com o calibre correto na instalação

P2: Aviso de sobreaquecimento

Intervenção urgente necessária para evitar a desconexão da carga

Temperatura interna próximo do limite. A proteção de sobreaquecimento será ativada se a temperatura continuar a subir

E2: Sobreaquecimento

A proteção de sobreaquecimento é ativada em caso de temperatura interna excessiva

- 1 - Confirme que o consumo da corrente de carga não supera a corrente nominal do SBP
- 2 - Inspeccione a existência de ligações soltas / elevada resistência e certifique-se de que utiliza uma cablagem com o calibre correto na instalação
- 3 - Não instale a unidade SBP num local exposto a elevada temperatura ou calor radiante; reposicione o SBP num local mais fresco ou disponibilize um mais arrefecimento ativo

P3: Aviso de subtensão

Intervenção urgente necessária para evitar a desconexão da carga

A proteção de subtensão será ativada em 90 s se não for realizada qualquer ação

E3: Subtensão

A proteção de subtensão é ativada se a tensão de entrada for inferior ao limite de subtensão selecionado durante 90 s

- 1 - Desligue / desconecte as cargas e recarregue a bateria
- 2 - Comprove o bom funcionamento do sistema de carregamento e da bateria

E4: Sobretensão

A proteção de sobretensão é ativada no caso de a tensão de entrada superar 64 V

A proteção de sobretensão é ativada no caso de a tensão de entrada superar 16 V (para sistemas de 12 V) ou 32 V (para sistemas de 24 V)

- 1 - Confirme a configuração de todos os dispositivos de carregamento no sistema, em particular as definições da tensão do sistema e da tensão de carregamento
- 2 - Comprove o bom funcionamento do sistema de carregamento
- 3 - Confirme que a tensão do sistema SBP é correta

E5: Falha de configuração

Anomalia interna - falha / falta de dados de configuração

Para recuperar o SBP desta condição;

- 1 - Restaure as predefinições de fábrica da unidade em - Configurações > Mais opções > Repor predefinições
- 2 - Desconecte a alimentação e aguarde 3 min antes de voltar a ligar
- 3 - Reconfigure a unidade conforme necessário

E6: Anomalia da tensão de referência

Anomalia interna - falha / falta de tensão de referência

Contactar o distribuidor para obter assistência – A anomalia não pode ser corrigida pelo utilizador e o SBP tem de ser substituído

E7: Bloqueio BMS

A proteção de bloqueio BMS é ativada caso o BMS externo solicite ao SBP que desacople e volte a reacoplar três vezes consecutivas (comportamento típico durante um corte devido a baixa tensão da célula)

Quando E7 estiver ativado, o SBP vai permanecer desacoplado até que a tensão de entrada supere 52 V

- 1 - Verifique os códigos de erro/registo do BMS para identificar a causa do corte e solucione o problema
- 2 - Desligue / desconecte as cargas e recarregue a bateria
- 3 - Verifique a cablagem entre o BMS e o terminal do SBP Remoto
- 4 - Comprove o bom funcionamento do BMS

E8: Corrente invertida

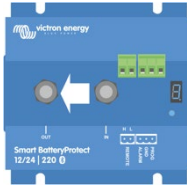
A proteção de corrente invertida é ativada caso seja detetado um fluxo de corrente invertido

CUIDADO: O SBP foi concebido para permitir ou prevenir o fluxo de corrente dos terminais IN (entrada) para OUT (saída) APENAS. Um fluxo de corrente invertido é estritamente proibido e pode danificar o SBP de forma permanente.

- 1 - Certifique-se de que a orientação da instalação SBP está correta, o fluxo de corrente deve ser de IN para OUT (consulte os diagramas de ligação exemplificativos)
- 2 - Confirme se não liga inadvertidamente fontes de carregamento ao circuito/terminal OUT do SBP
- 3 - Se o SBP for utilizado para desconectar uma fonte de carregamento, certifique-se de que as cargas não são ligadas inadvertidamente ao circuito/terminal IN do SBP

Instalación

- El Smart BatteryProtect (SBP) deberá instalarse en una zona bien ventilada y preferiblemente cerca de la batería (50 cm como máximo), ¡pero no sobre ella, para evitar los posibles gases corrosivos que desprende! **La caída de tensión provocada por un cable de sección inferior a la adecuada o por su excesiva longitud entre el positivo de la batería y el SBP puede dar lugar a una alarma de cortocircuito al iniciarse la carga, o a una desconexión inesperada.**
- Debe insertarse un fusible de tamaño apropiado, de acuerdo con las normativas locales, en el cable entre la batería y el SBP.
- El SBP está diseñado para que la corriente fluya sólo desde el terminal IN (batería) hasta el terminal OUT (carga). Las corrientes inversas que fluyan desde el terminal OUT hasta el terminal IN están estrictamente prohibidas, ya que dañarán el dispositivo. Si quiere utilizar el SBP como desconexión para una fuente de carga, deberá orientar la unidad en el sistema de forma que la corriente fluya en la dirección deseada, IN hacia OUT.
- La protección contra cortocircuitos del SBP se desactivará si intenta conectar directamente cargas con condensadores en sus entradas (p.ej. inversores). Para este tipo de uso, utilice el SBP para controlar el interruptor On/Off remoto en el inversor, en vez de desconectar el cable de alimentación CC más alto.
- Utilice un cable de 1,5 mm² (incluido) para la conexión GND, que debe estar conectado directamente al terminal negativo de la batería (o al chasis de un vehículo). No deberá conectar ningún otro dispositivo a este cable.
- El SBP detecta automáticamente la tensión del sistema **una sola vez** durante el arranque inicial. La tensión seleccionada (12 ó 24V) se almacena, y se deshabilita cualquier otra detección automática. Consulte **d** en la tabla de programación para cómo resetearlo si va a usar el SBP en una instalación distinta o va a usar el Bluetooth.
- No conecte la salida de la carga hasta que el SBP esté completamente programado.
- Se puede conectar un interruptor On/Off remoto entre «Remote H» y «Remote L» (ver figura 1). Alternativamente, el terminal H se puede poner más alto (en el polo positivo de la batería), o el terminal L se puede poner más bajo (en el polo negativo de la batería).
- Puede conectarse una señal acústica, LED o relé entre el terminal de la salida de alarma y el polo positivo de la batería (véase la figura 1). Carga máxima sobre la salida de alarma: 50 mA (a prueba de cortocircuitos).



Especificaciones

Smart BatteryProtect		SBP-65	SBP-100	SBP-220
Corriente de carga cont. máxima		65A	100A	220A
Pico de corriente		250A	600A	600A
Rango de tensión de trabajo		6-35V		
Consumo de corriente	BLE activado	Encendido: 1.4 mA	Apagado o desconectado por baja tensión: 0.9 mA	Encendido: 1.2 mA
	BLE desactivado	Encendido: 1.2 mA	Apagado o desconectado por baja tensión: 0.7 mA	
Retardo de salida de alarma		12 segundos		
Carga máx. sobre la salida de alarma		50mA (a prueba de cortocircuitos)		
Retardo de desconexión de la carga		90 segundos (inmediato si se activa mediante el BMS del VE.Bus)		
Retardo de reconexión de la carga		30 segundos		
Umbral por defecto		Desconexión: 10.5V o 21V Conexión: 12V ó 24V		
Rango de temperatura de trabajo		Carga completa: -40 °C a +40 °C (hasta el 60 % de carga nominal a 50 °C)		
Conexión		M6	M8	M8
Peso		0.2kg 0.5 lbs	0.5kg 1.1 lbs	0.8kg 1.8 lbs
Dimensiones (al x an x p)		40 x 48 x 106 mm 1.6 x 1.9 x 4.2 pulgadas	59 x 42 x 115 mm 2.4 x 1.7 x 4.6 pulgadas	62 x 123 x 120 mm 2.5 x 4.9 x 4.8 pulgadas

Eventos de desconexión de carga y opciones de salida de alarma

- Modo de señal acústica o LED (señal acústica o LED conectado a la salida de alarma):
- En caso de subtensión, se iniciará una alarma continua después de 12 segundos. El SBP desconectará la carga tras 90 segundos y la alarma se detendrá. Lapso de reconexión: 30 segundos.
 - En caso de sobretensión, la carga se desconectará inmediatamente y permanecerá encendida una alarma intermitente hasta que se haya corregido el problema de sobretensión. No hay lapso de reconexión:
- Modo relé (relé conectado a la salida de alarma):
- En caso de subtensión, el relé se conectará después de 12 segundos. El SBP desconectará la carga tras 90 segundos y el relé se desconectará.
 - En caso de sobretensión, la carga se desconectará inmediatamente y la salida de alarma permanecerá inactiva. Umbrales de sobretensión: 16V y 32V respectivamente

Modo Li-Ion

- Conectar la salida de desconexión de carga por baja tensión del BMS del VE.Bus a «Remote H».
- La carga se desconecta inmediatamente cuando la salida de carga por baja tensión del BMS del VE.Bus conmuta de «high» (alto) a «free floating» (flotante) (debido a la subtensión, sobretensión o exceso de temperatura de las celdas de la batería). Los umbrales de subtensión y la salida de alarma de SBP están inactivos en este modo.

Funcionamiento

Hay 9 modos de error y 2 modos de advertencia, que se indican en la pantalla de 7 segmentos y en VictronConnect a través de un teléfono inteligente o tableta con Bluetooth:

- E 1 Detección de cortocircuito
- E 2 Sobrecarga o sobrecalentamiento / P2 aviso por sobrecalentamiento
- E 3 Subtensión / P3 aviso por subtensión
- E 4 Sobretensión
- E 5 Fallo de configuración
- E 6 Fallo de tensión de referencia
- E 7 Bloqueo del BMS

Pasados 5 minutos, el error ya no se muestra para reducir el consumo de corriente. En el Apéndice puede consultar más información sobre cada error.

El punto decimal de la pantalla de 7 segmentos se utiliza para la indicación del estado:

- Encendido fijo: el SBP intenta activar la salida
- Parpadeo cada 5 s: la salida está activa
- Parpadeo cada 2 s en el modo Li-ion: «connecting» (conectando) la salida

Control remoto y cortocircuito

- El SBP conectará la carga 1 segundo después de cerrar el contacto remoto.
- El SBP desconectará la carga inmediatamente cuando se abra el contacto remoto.
- Cuando esté en modo ion litio, SBP entrará en un periodo de inactividad de 30 segundos una vez que la entrada remota de SBP haya entrado en flotación. Se puede ver una descripción detallada bajo la figura 4.
- En caso de cortocircuito, el SBP intentará conectar la carga cada 5 segundos. Tras dos intentos, la pantalla mostrará E 1 (detección de cortocircuito).

Programación

Cuando está apagado (remoto abierto), El SBP puede programarse conectando el pin PROG a la toma de tierra. También se puede programar en un teléfono inteligente o tableta con Bluetooth a través de VictronConnect.

La pantalla de 7 segmentos se saltará la desconexión y reiniciará las tensiones. Desconecte el pin PROG cuando se muestre la tensión deseada.

La pantalla confirmará la tensión elegida y el modo por defecto (A) dos veces.

Vuelva a conectar el pin PROG a la toma de tierra si otro modo (b, c o d) fuese necesario. Desconectar cuando se muestre el modo requerido.

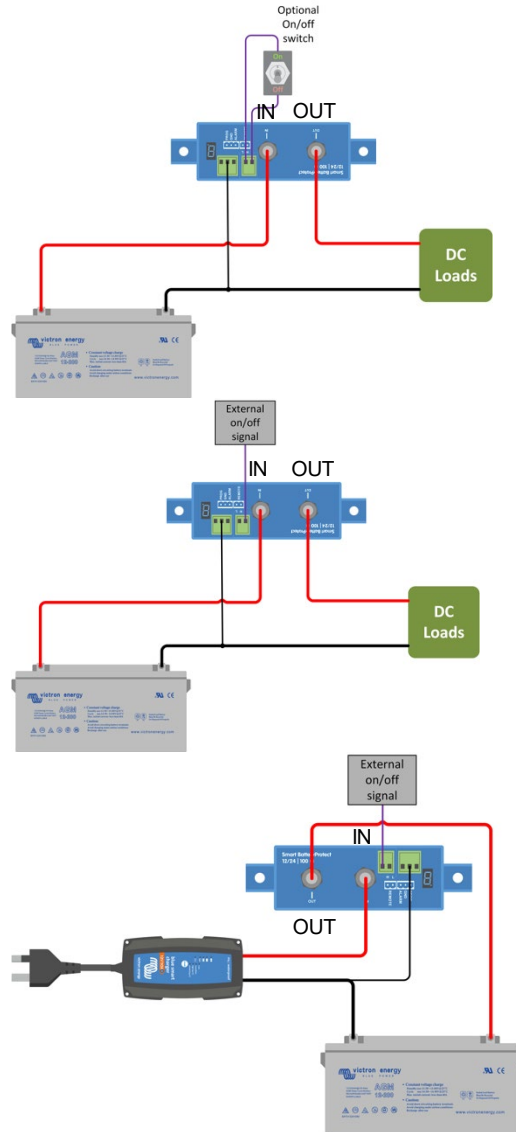
La pantalla confirmará la tensión elegida y el modo en dos ocasiones.

El Bluetooth puede desactivarse/reactivarse con la aplicación VictronConnect o conectando el pin PROG a tierra y seleccionando F (activar) o h (desactivar). Ver tabla más abajo

Tabla de programación

Pantalla de 7 segmentos	Subtensión de desconexión Sistema 12V/24V	Reinicio de subtensión Sistema 12V/24V
0	10.5V / 21V	12V / 24V
1	10V / 20V	11.5V / 23V
2	9.5V / 19V	11.5V / 23V
3	11.25V / 22.5V	13.25V / 26.5V
4	11.5V / 23V	13.8V / 27.6V
5	10.5V / 21V	12.8V / 25.6V
6	11.5V / 23V	12.8V / 25.6V
7	11.8V / 23.6V	12.8V / 25.6V
B	12V / 24V	13 V / 26 V
9	10V / 20V	13.2V / 26.4V
-	Ajustes definidos por el usuario con Bluetooth	
A	Modo de señal acústica o LED	
b	Relay mode (Modo relé)	
c	Modo Li-Ion	
d	Detección de la tensión del sistema	
F	Activa Bluetooth	
h	Desactiva Bluetooth	

Ejemplos de diagramas de cableado



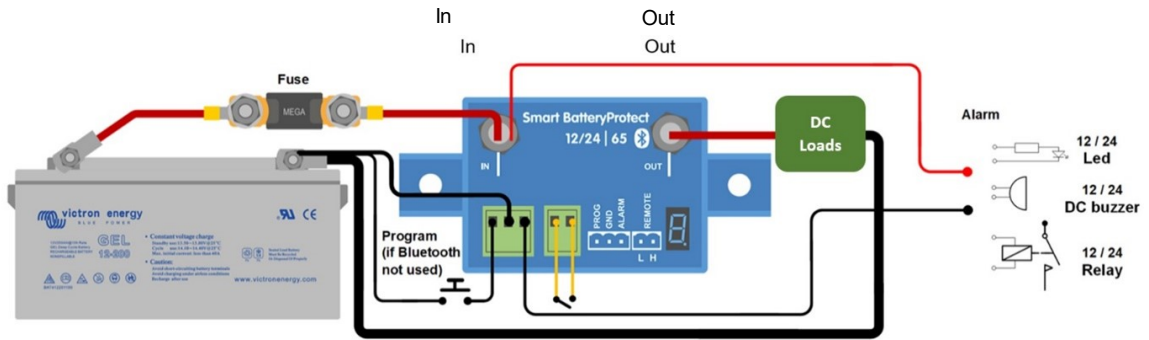


Figura 1: Diagrama de conexión del SBP-65 (use la entrada remota para la función on/off del sistema)

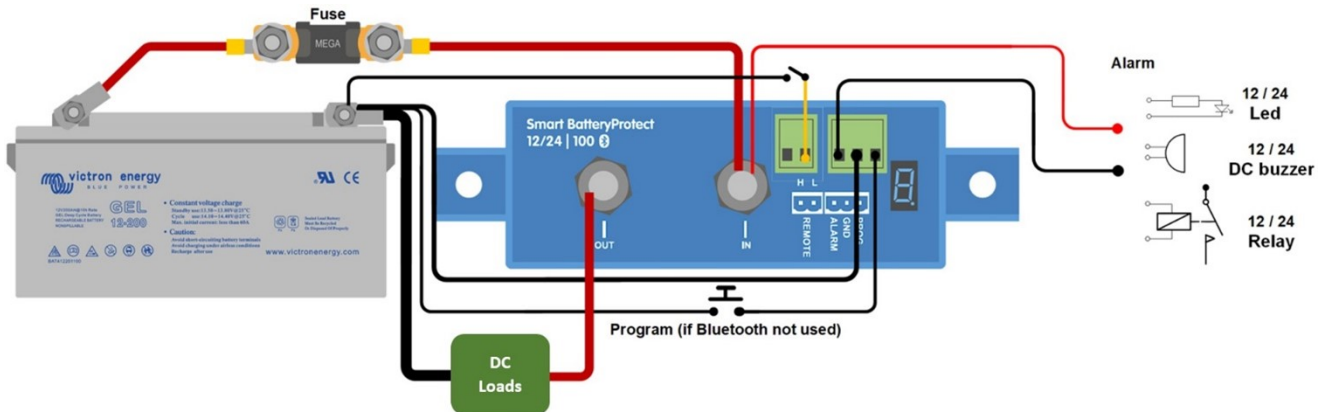


Figura 2: Diagrama de conexión del SBP-100 y SBP-220 (use la entrada remota para la función on/off del sistema)

- 2.1 H remote (Terminal H remoto, puede conectarse al positivo de la batería para encenderse)
 - 2.2 L remote (Terminal L remoto, puede conectarse al negativo de la batería para encenderse)
- 1.1 ALARM
 - 1.2 GND
 - 1.3 PROG

Figura 3: Conectores y numeración de pines

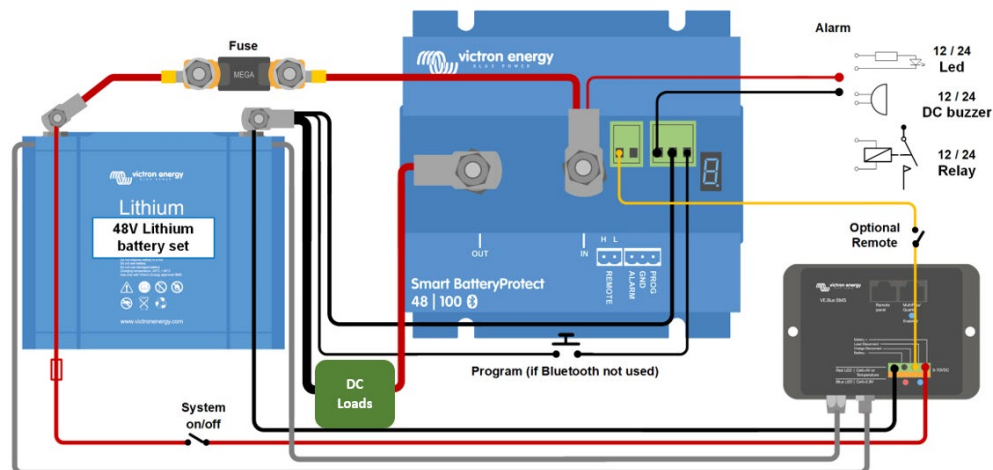


Figura 4: Sistema con batería de iones de litio (aplicable con VE.Bus BMS o smallBMS)

Nota: Cuando esté en modo Li-ion, el SBP se desconectará cuando la entrada H entre en flotación y permanecerá desconectada durante 30 segundos, incluso si recibe una señal de reactivación durante ese periodo de tiempo. Transcurridos esos 30 segundos, responderá inmediatamente a la señal de reactivación. Por lo tanto, normalmente no habrá tiempo de espera si el SBP se usa como interruptor on-off del sistema (conecte el interruptor on/off del sistema al positivo de la fuente de alimentación del BMS para este fin). Del mismo modo, si se apaga el sistema por una baja tensión en las celdas, SBP permanecerá desactivado durante 30 segundos incluso si recibe una señal de reactivación durante ese periodo de tiempo (lo que ocurrirá si no hay otras cargas conectadas a la batería). Tras tres intentos de reactivación, SBP permanecerá desactivado hasta que la tensión de la batería aumente por encima de 13 V (26 V respectivamente) durante al menos 30 segundos (lo que es señal de que la batería se está recargando). Los umbrales de subtensión y la salida de alarma de SBP están inactivos en este modo.

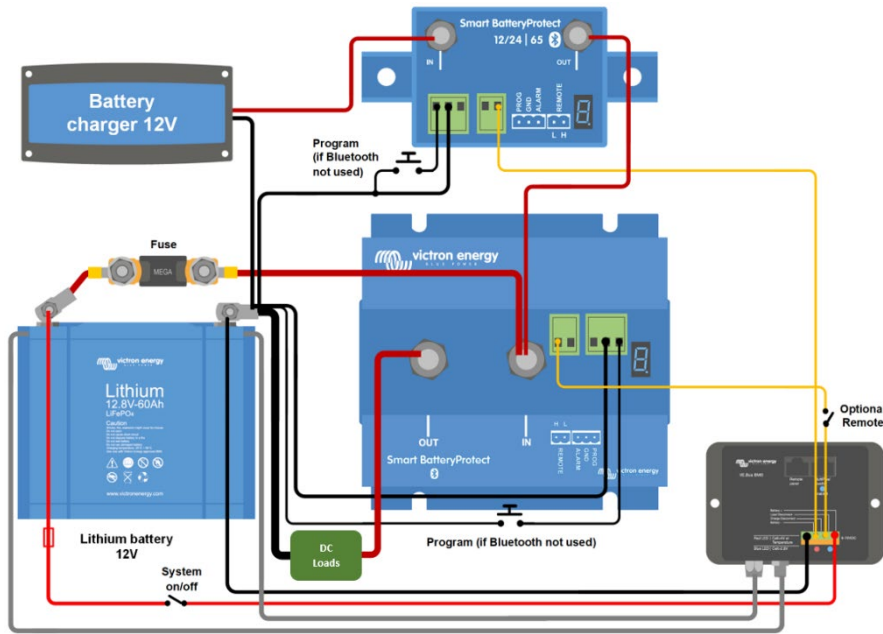


Figura 5: Segundo Smart BatteryProtect entre un cargador de batería o controlador de carga MPPT solar y una batería de ion litio (aplicable con VE.Bus BMS o smallBMS)

El segundo SBP sustituye a un relé Cyrix-Li-charge (ventajas: menor consumo, relé de alarma).
 (no aplicable si el cargador tiene contactos de on/off remoto y puede controlarse con un cable de interfaz entre el BMS y el cargador)
 Seleccione el programa \square para esta aplicación.

Precaución: fluirá una corriente inversa no controlada a través del Smart BatteryProtect si $V_{out} > V_{in}$. Por lo tanto, nunca utilice un Smart BatteryProtect para cargar de batería a batería.

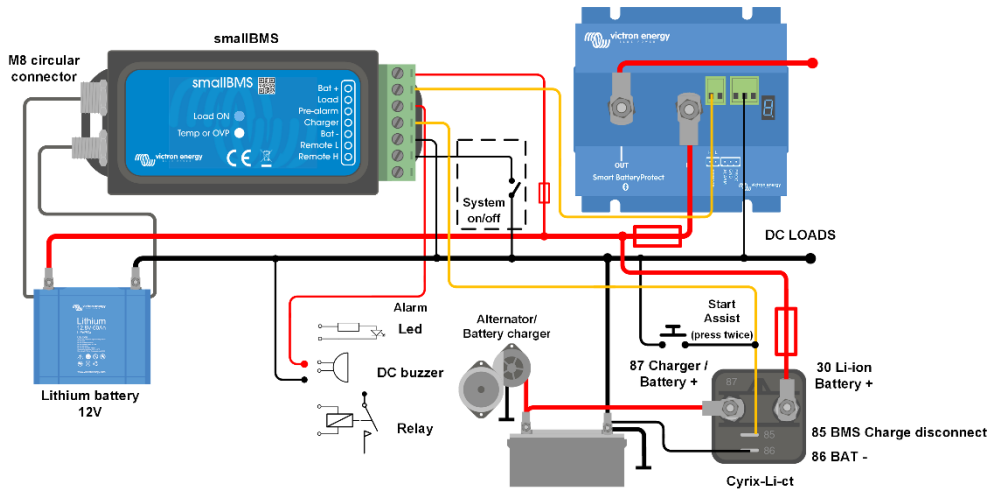


Figura 6: Ejemplo de aplicación para un vehículo o barco con un interruptor on/off entre H y L (aplicable con VE.Bus BMS o smallBMS)

APÉNDICE

Códigos de error/advertencia

E0: Fallo de calibración

Fallo de calibración - error en los datos/faltan datos de calibración

Póngase en contacto con el distribuidor para recibir asistencia – Este fallo no lo puede corregir el usuario y es necesario sustituir el SBP

E1: Cortocircuito

La protección contra cortocircuitos se activa en caso de cortocircuito, sobrecarga o corriente de irrupción excesiva - como cuando se intenta encender directamente un inversor

- 1- Compruebe si hay una posible condición de cortocircuito
- 2- Confirme que la extracción de corriente de carga no supera el valor nominal de la corriente de SBP
- 3- Use el SBP para controlar el interruptor remoto on/off con cargas con altas corrientes de irrupción, en vez de encender/desconectar directamente la alimentación CC
- 4- Revise si hay conexiones sueltas/con alta resistencia y compruebe que la instalación cuenta con cableado del calibre adecuado

P2: Aviso de temperatura excesiva

Se necesita una intervención urgente para evitar la desconexión

Temperatura interna cercana al límite. La protección frente a temperatura excesiva se activará si la temperatura se sigue elevando

E2: Sobretemperatura

La protección contra sobretemperatura se activa en el caso de que la temperatura interna sea excesiva

- 1- Confirme que la extracción de corriente de carga no supera el valor nominal de la corriente de SBP
- 2- Revise si hay conexiones sueltas/con alta resistencia y compruebe que la instalación cuenta con cableado del calibre adecuado
- 3- No instale la unidad SBP en un lugar expuesto a altas temperaturas o calor radiante, mueva el SBP a un lugar más fresco o proporcione refrigeración activa adicional

P3: Aviso de baja tensión

Se necesita una intervención urgente para evitar la desconexión

La protección contra la tensión baja se activará en un plazo de 90 segundos si no se hace nada

E3: Tensión baja

La protección contra la tensión baja se activa cuando la tensión de entrada cae durante 90 segundos por debajo del límite de tensión inferior seleccionado

- 1- Apague/desconecte las cargas y recargue la batería
- 2- Compruebe que el sistema de carga y la batería funcionan correctamente

E4: Tensión alta

La protección frente a la tensión alta se activa en el caso de que la tensión de entrada supere los 64 V

La protección frente a la tensión alta se activa en el caso de que la tensión de entrada supere los 64 V (para sistemas de 12 V) o los 32 V (para sistemas de 24 V)

- 1- Confirme la configuración de todos los dispositivos de carga del sistema, en particular los ajustes de tensión del sistema y tensión de carga
- 2- Compruebe que el sistema de carga funciona correctamente
- 3- Compruebe que la configuración de la tensión del sistema SBP es correcta

E5: Fallo de configuración

Fallo interno - error en los datos /faltan datos de configuración

Para solucionar esta situación en el SBP:

- 1- Restablezca los valores de fábrica de la unidad en Configuración > Más opciones > Restablecer valores predeterminados
- 2- Desconecte toda la alimentación y espere tres minutos antes de volver a conectarla
- 3- Vuelva a configurar la unidad según proceda

E6: Fallo de la tensión de referencia

Fallo interno - error/faltan datos de la tensión de referencia

Póngase en contacto con el distribuidor para recibir asistencia – Este fallo no lo puede corregir el usuario y es necesario sustituir el SBP

E7: Bloqueo del BMS

La protección frente a bloqueo del BMS se activa en el caso de que el BMS externo solicite al SBP que se desconecte y se conecte consecutivamente 3 veces (esto suele suceder cuando se apaga debido a la baja tensión de las celdas)

Una vez que se activa el E7, el SBP permanecerá desconectado hasta que la tensión de entrada supere los 52 V

- 1- Revise los códigos de error/registro del BMS para identificar la causa del apagado y corrija el problema
- 2- Apague/desconecte las cargas y recargue la batería
- 3- Revise el cableado entre el BMS y el terminal remoto SBP
- 4- Compruebe que el BMS funciona correctamente

E8: Corriente inversa

La protección frente a corriente inversa se activa en caso de que se detecte un flujo de corriente inversa

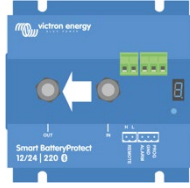
PRECAUCIÓN: El SBP está diseñado para permitir o impedir el flujo de corriente desde terminales IN a OUT SOLAMENTE. El flujo de corriente inversa está terminantemente prohibido y puede dañar permanentemente el SBP.

- 1- Compruebe que la orientación de la instalación del SBP es correcta - el flujo de corriente debe ir de IN a OUT (consulte los diagramas de cableado de ejemplo)
- 2- Confirme que no se hayan conectado accidentalmente fuentes de carga al terminal/circuito OUT del SBP
- 3- Si se usa el SBP para desconectar una fuente de carga, compruebe que no se hayan conectado accidentalmente cargas al terminal/circuito IN del SBP

Smart BatteryProtect 12/24V
ITALIANO

Installazione

- Il Smart BatteryProtect (SBP) deve essere installato in luogo ben ventilato e il più possibile vicino alle batterie (max 50 cm, ma non installare al di sopra della batteria, per via del possibile sviluppo di gas corrosivi!). **La caduta di tensione su un cavo lungo o sottodimensionato fra il più della batteria e il SBP può risultare in un allarme di corto circuito quando si avvia il carico o in una chiusura imprevista.**
- Occorre inserire un fusibile della giusta dimensione, in base alle normative locali, nel cavo fra la batteria e il BP.
- Il SBP è progettato per consentire alla corrente di scorrere solamente dal morsetto IN (batteria) al morsetto OUT (carico).
- Le correnti inverse, dal morsetto OUT al morsetto IN, sono severamente proibite, giacché danneggiano il dispositivo. Se si vuole usare il SBP come disconnessione per una fonte di carico, si deve orientare l'unità nel sistema, in modo che la corrente scorra nella direzione prevista, da IN a OUT.
- La protezione contro cortocircuito del SBP si attiverà se si tenta di collegare direttamente carichi con condensatori alla loro entrata (ad es., inverter). In questo caso, si prega di utilizzare il SBP per controllare l'interruttore on/ off remoto dell'inverter, invece di scollegare la linea di alta potenza in CC.
- Usare un cavo di 1,5 mm² (incluso) per la connessione del GND, che dovrebbe essere collegato direttamente al morsetto negativo della batteria (o al telaio di un veicolo). Non collegare altre apparecchiature a questo cavo.
- Il SBP rileva automaticamente la tensione del sistema **una sola volta** durante l'avvio. La tensione selezionata (12 o 24 V) è salvata e vengono disabilitati ulteriori rilevamenti automatici. Vedere **d** nella tabella di programmazione per sapere come resettarlo quando si riusa il SBP in un impianto diverso o utilizzare il Bluetooth.
- Non collegare l'uscita del carico finché il SBP non sia stato programmato completamente.
- Si può collegare un interruttore on/ off remoto fra H remoto e L remoto (vedere figura 1). In alternativa, si può girare il morsetto H su alto (sul più della batteria) o girare il morsetto L su basso (sul meno della batteria).
- Un cicalino, LED o relè possono essere collegati fra il morsetto di uscita dell'allarme e il polo positivo della batteria (vedere figura 1). Carico max sull'emissione dell'allarme: 50 mA (resistente a corto circuito).



Eventi di scollegamento del carico e opzioni di emissione dell'allarme

Cicalino o modalità LED (cicalino o LED connessi all'emissione dell'allarme):

- In caso di sottotensione, viene attivato un allarme continuo dopo 12 secondi. Il SBP scollegherà il carico dopo 90 secondi e l'allarme si arresterà. Ritardo di riconnessione: 30 secondi.
- In caso di sovratensione, il carico sarà scollegato immediatamente e un allarme intermittente rimarrà attivato finché il problema di sovratensione non sia stato corretto. Non è presente ritardo di riconnessione.

Modalità relè (relè connesso all'emissione dell'allarme):

- In caso di sottotensione, il relè verrà attivato dopo 12 secondi. Il SBP scollegherà il carico dopo 90 secondi e il relè sarà disattivato.
- In caso di sovratensione, il carico sarà scollegato immediatamente e l'emissione dell'allarme rimarrà inattiva. Livelli del ciclo di sovratensione: 16V e 32V rispettivamente

Modalità Li-ion:

- Collegare l'emissione di disconnessione del carico del VE.Bus BMS al morsetto remoto H. Il carico è scollegato immediatamente quando l'emissione di disconnessione del carico del VE.Bus BMS passa da "high" a "free floating" (a causa della sottotensione, sovratensione o sovratemperatura della cella della batteria). Le soglie di sottotensione e l'emissione dell'allarme del SBP sono inattive in questa modalità.

Funzionamento

Esistono 9 modalità di errore e 2 modalità di avvertimento, indicate da 7 segmenti del display e in VictronConnect, se si utilizza uno smartphone o tablet con connessione Bluetooth:

- E 1 Corto circuito individuato
- E 2 Avviso di sovraccarico o sovratemperatura / sovratemperatura P2
- E 3 Avviso di sottotensione / sottotensione P3
- E 4 Sovratemperatura
- E 5 Impostazioni Difettose
- E 6 Tensione di Riferimento Difettosa
- E 7 Blocco BMS

Trascorsi 5 minuti, l'errore non sarà più visualizzato per ridurre il consumo di corrente.

Vedere l'Appendice per ulteriori informazioni su ogni errore.

Il punto decimale del display a 7 segmenti è usato per l'indicazione dello stato:

- Fisso: il SBP cerca di attivare l'emissione
- Lampeggia ogni 5 secondi: l'emissione è attiva
- Lampeggia ogni 2 secondi in modalità Li-ion: emissione in "connessione"

Controllo remoto e corto circuito

- Il SBP collegherà il carico 1 secondo dopo aver chiuso il contatto remoto.
- Il SBP scollegherà il carico non appena il contatto remoto è aperto.
- Quando il SBP si trova in modalità Li-ion, rimarrà inattivo per 30 secondi dopo che l'ingresso remoto del SBP sia diventato "free floating". Vedere la nota sotto la figura 4 per una descrizione particolareggiata.
- In caso di corto circuito, il SBP cercherà di collegare il carico ogni 5 secondi. Dopo due tentativi, il display visualizzerà E1 (corto circuito rilevato).

Programmazione

Quando è spento (apertura remota), il SBP può essere programmato collegando il pin PROG alla terra. In alternativa, può essere programmato mediante uno smartphone o un tablet provvisto di Bluetooth, mediante VictronConnect. Il display a 7 segmenti passerà prima attraverso le tensioni di chiusura e riavvio. Scollegare il pin PROG quando viene visualizzata la tensione desiderata.

Il display confermerà la tensione scelta e la modalità predefinita (A) due volte.

Ricollegare il pin PROG alla terra se è richiesta un'altra modalità (b, c o d). Scollegare quando è visualizzata la modalità richiesta.

Il display confermerà la tensione scelta e la modalità due volte.

Il Bluetooth può essere disattivato/riattivato mediante la app VictronConnect o collegando il pin PROG a terra e selezionando F (attiva) o h (disattiva). Vedere la tabella seguente

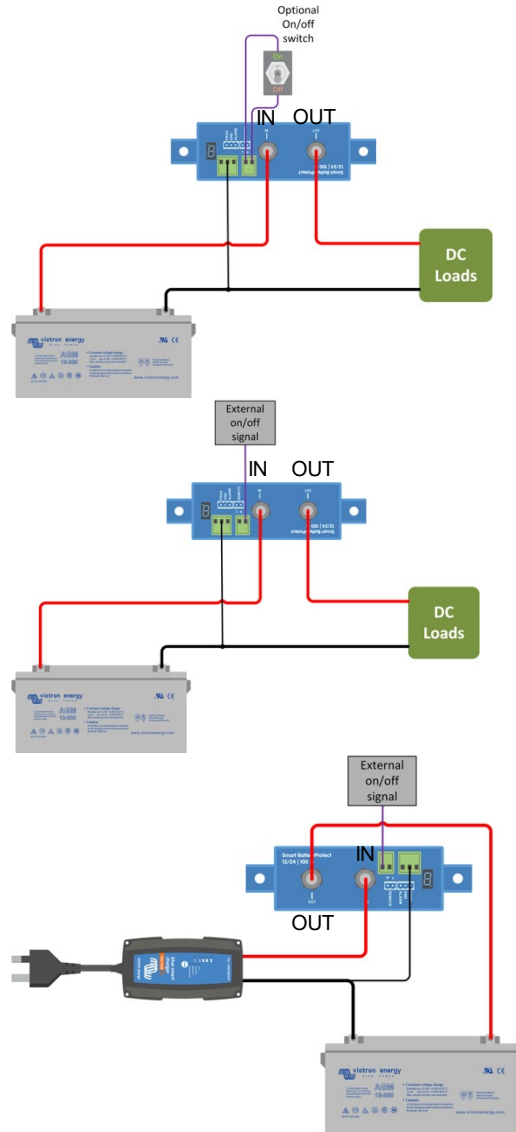
Tabella di programmazione

Display a 7 segmenti	Chiusura di sottotensione Sistema 12V / 24V	Riavvio in sottotensione Sistema 12V / 24V
0	10.5V / 21V	12V / 24V
1	10V / 20V	11.5V / 23V
2	9.5V / 19V	11.5V / 23V
3	11.25V / 22.5V	13.25V / 26.5V
4	11.5V / 23V	13.8V / 27.6V
5	10.5V / 21V	12.8V / 25.6V
6	11.5V / 23V	12.8V / 25.6V
7	11.8V / 23.6V	12.8V / 25.6V
8	12V / 24V	13V / 26V
9	10V / 20V	13.2V / 26.4V
-	Impostazioni definite dall'utente mediante Bluetooth	
A	Cicalino o modalità LED	
b	Modalità relè	
c	Modalità Li-ion	
d	Rilevazione tensione di sistema	
F	Attiva Bluetooth	
h	Disattiva Bluetooth	

Specifiche

BatteryProtect Smart	SBP-65	SBP-100	SBP-220
Corrente di carico cont. max	65A	100A	220A
Corrente di picco	250A	600A	600A
Intervallo di tensione operativa	6-35V		
Consumo di corrente	BLE On BLE Off	Quando ON: 1.4 mA Quando OFF o spegnimento per bassa tensione: 0.9 mA Quando ON: 1.2 mA Quando OFF o spegnimento per bassa tensione: 0.7 mA	
Ritardo di emissione dell'allarme	12 sec.		
Carico max su emissione dell'allarme	50mA (resistente a corto circuito).		
Ritardo di scollegamento del carico	90 secondi (immediato se attivato da VE.Bus BMS)		
Ritardo di ricollegamento del carico	30 sec.		
Soglie predefinite	Disattivazione: 10.5V o 21V Attivazione: 12V o 24V		
Campo temperatura di esercizio	Carico pieno: da -40°C a +40°C (fino a 60% del carico nominale a 50°C)		
Collegamento	M6	M8	M8
Peso	0.2kg (0.5 libbre)	0.5kg (1.1 libbre)	0.8kg (1.8 libbre)
Dimensioni (axlxp)	40 x 48 x 106 mm 1.6 x 1.9 x 4.2 pollici	59 x 42 x 115 mm 2.4 x 1.7 x 4.6 pollici	62 x 123 x 120 mm 2.5 x 4.9 x 4.8 pollici

Esempio di Schemi di Cablaggio



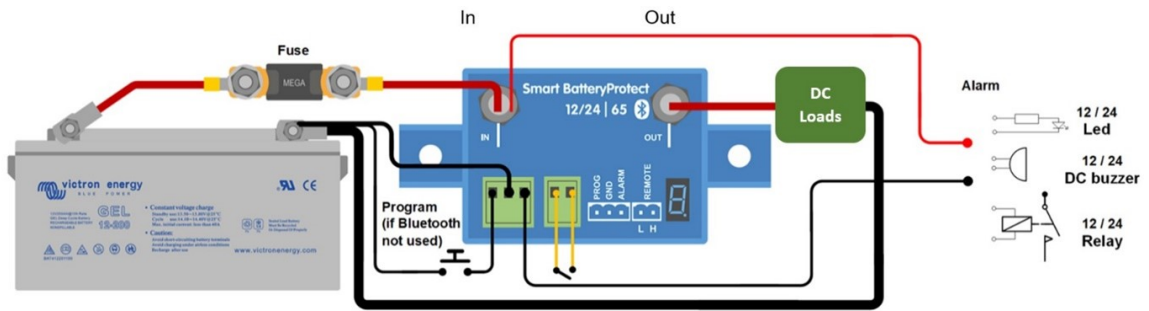


Figura 1: Schema delle connessioni del SBP-65 (usare l'immissione remota per la funzione sistema on/off)

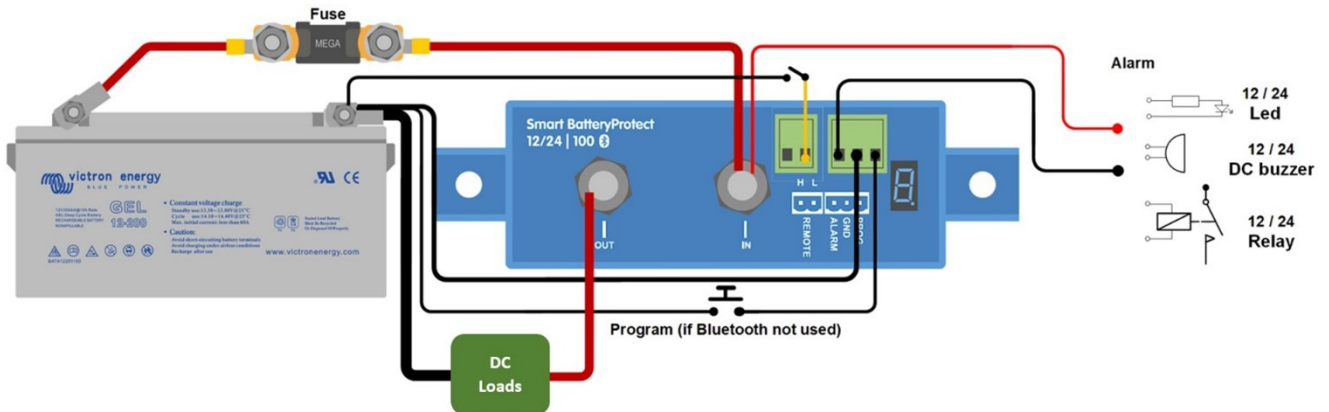


Figura 2: Schema delle connessioni degli SBP-100 e SBP-220 (usare l'immissione remota per la funzione sistema on/off)

- 2.1 H remote (Il morsetto remoto H si può collegare al polo positivo batteria per accenderlo)
- 2.2 L remote (Il morsetto remoto L si può collegare al negativo positivo batteria per accenderlo)
- 1.1 ALARM
- 1.2 GND
- 1.3 PROG

Figura 3: Numerazione dei connettori e dei pin

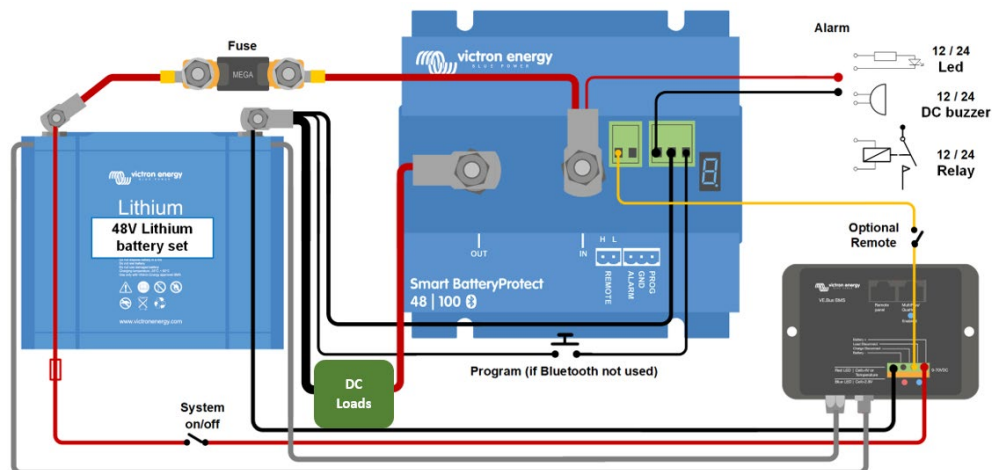


Figura 4: Sistema con batteria agli ioni di litio (compatibile con BMS VE.Bus o smallBMS)

Nota: Nella modalità Li-ion, il SBP si disattiva quando l'entrata H diventa "free floating" e rimarrà disattivato per 30 secondi anche se riceve un segnale di riattivazione in questo periodo di tempo. Dopo 30 secondi risponderà immediatamente a un segnale di riattivazione. Pertanto, generalmente non ci saranno tempi di attesa se il SBP si usa come interruttore on-off del sistema (a tale fine, collegare l'Interruttore on/off del sistema al cavo di alimentazione positivo del BMS).
 Parimenti, se si verifica un arresto del sistema in seguito a bassa tensione della cella, il SBP rimarrà disattivo per 30 secondi anche se riceve un segnale di riavvio in questo periodo (che avverrà quando non ci sono altri carichi collegati alla batteria). Dopo 3 tentativi di riavvio, il SBP rimarrà spento finché la tensione della batteria non risale a più di 13V (o 26V, rispettivamente) per almeno 30 secondi (giacché ciò indica che la batteria si sta ricaricando). Le soglie di sottotensione e l'emissione dell'allarme del SBP sono inattive in questa modalità.

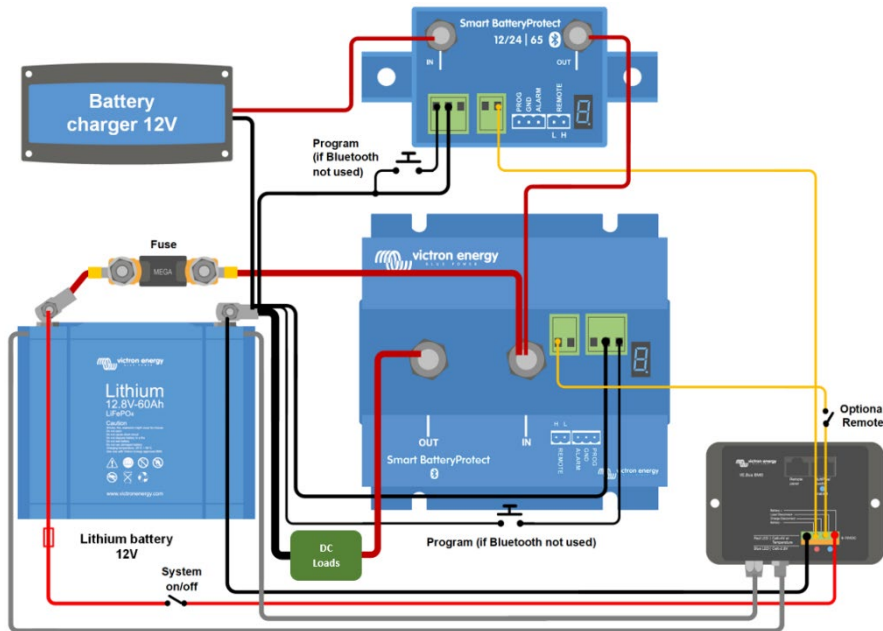


Figura 5: Secondo Smart BatteryProtect, posizionato fra un caricabatterie o un regolatore di carica solare MPPT e una batteria agli ioni di litio (compatibile con BMS VE.Bus o smallBMS)

Il secondo SBP sostituisce un relè Cyrix-Li-charge (vantaggi: basso consumo di energia, relè di allarme).

(non applicabile se il caricabatterie possiede contatti on-off remoti e può essere controllato mediante un cavo di interfaccia tra il BMS e il caricabatterie)

Scegliere il programma C per questa applicazione.

Attenzione: una corrente inversa non controllata scorrerà attraverso il Smart BatteryProtect se $V_{out} > V_{in}$. Pertanto, non usare mai un Smart BatteryProtect per una ricarica da batteria a batteria.

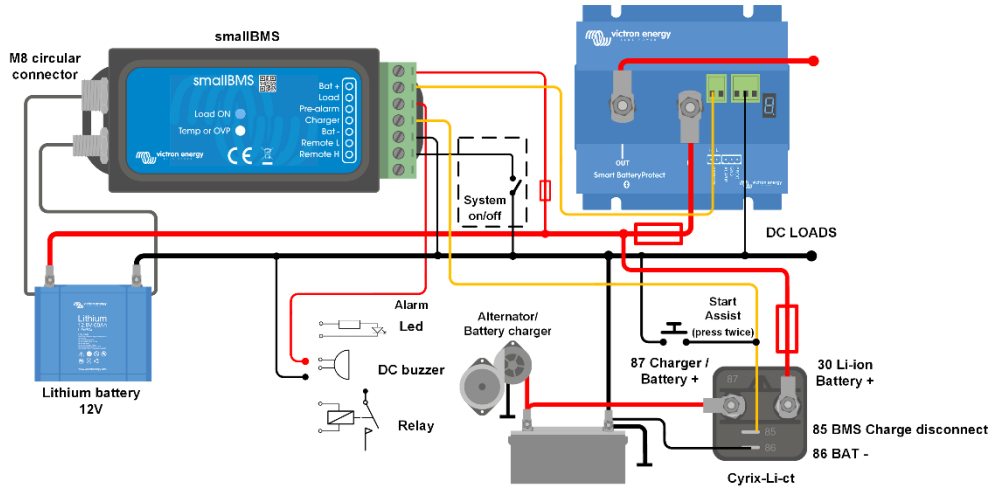


Figura 6: Esempio di applicazione per un veicolo o un natante, con interruttore on/off tra H e L (compatibile con BMS VE.Bus o smallBMS)

APPENDICE

Errore / Codici Avvertimento

E0: Errore di calibrazione

Malfunzionamento interno - errore/mancanza dati di calibrazione

Contattare il venditore per l'assistenza - L'errore non può essere corretto dall'utente e il SBP richiede una sostituzione

E1: Cortocircuito

La protezione contro cortocircuito si attiva in caso di cortocircuito e sovraccarico o eccessiva inserzione di corrente, come quando si cerca di alimentare direttamente un inverter

- 1- Verificare l'eventuale presenza di cortocircuito
- 2- Confermare che l'assorbimento di corrente di carico non superi la corrente nominale del SBP
- 3- Utilizzare il SBP per controllare l'interruttore on/off remoto nei carichi con alta inserzione di corrente, invece di collegare/scollegare direttamente l'alimentazione CC
- 4- Verificare che non ci siano connessioni allentate/con alta resistenza ed assicurarsi di utilizzare un calibro di cablaggio appropriato per l'impianto

P2: Avviso temperatura alta

È necessario un intervento urgente per evitare la disconnessione del carico

Temperatura interna vicina al limite. La protezione contro sovratemperatura si attiverà se la temperatura continua a salire

E2: Sovratemperatura

La protezione contro sovratemperatura si attiva in caso di temperatura interna eccessiva

- 1- Confermare che l'assorbimento di corrente di carico non superi la corrente nominale del SBP
- 2- Verificare che non ci siano connessioni allentate/con alta resistenza ed assicurarsi di utilizzare un calibro di cablaggio appropriato per l'impianto
- 3- Non installare l'unità SBP in un luogo esposto ad alte temperature o calore radiante, riposizionarlo in un luogo più fresco o fornirgli un raffreddamento aggiuntivo

P3: Avviso bassa tensione

È necessario un intervento urgente per evitare la disconnessione del carico

La protezione contro bassa tensione si attiverà entro 90 secondi, se non si eseguono azioni

E3: Sottotensione

La protezione contro sottotensione si attiva nel caso in cui la tensione di ingresso cada al di sotto del limite di tensione selezionato per 90 secondi

- 1- Spegner/scollegare i carichi e ricaricare la batteria
- 2- Verificare che il sistema di ricarica e la batteria funzionino correttamente

E4: Sovratensione

La protezione contro sovratensione si attiva nel caso in cui la tensione di ingresso superi i 64 V

La protezione contro sovratensione si attiva nel caso in cui la tensione di ingresso superi i 16 V (per sistemi da 12V) o 32 V (per sistemi da 24 V)

- 1- Confermare la configurazione di tutti i dispositivi di carica del sistema, particolarmente le impostazioni della tensione di sistema e della tensione di carica
- 2- Verificare che il sistema di ricarica funzioni correttamente
- 3- Confermare che la configurazione della tensione di sistema del SBP sia corretta

E5: Errore di configurazione

Malfunzionamento interno - errore/mancanza dati configurazione

Per ripristinare il SBP:

- 1- Ripristinare l'unità ai valori predefiniti in Impostazioni > Altre opzioni > Ripristina ai valori predefiniti
- 2- Scollegare tutte le alimentazioni e attendere 3 minuti prima di ricollegarle
- 3- Riconfigurare l'unità come da requisiti

E6: Errore di tensione di riferimento

Malfunzionamento interno - errore/mancanza di tensione di riferimento

Contattare il venditore per l'assistenza - L'errore non può essere corretto dall'utente e il SBP richiede una sostituzione

E7: Blocco BMS

La protezione blocco BMS si attiva se il BMS esterno richiede al SBP di disattivarsi e poi di riattivarsi 3 volte consecutive (comportamento tipico durante un arresto dovuto a bassa tensione della cella)

Quando si attiva E7, il SBP rimarrà non attivo finché la tensione di ingresso non superi i 52 V

- 1- Verificare i codici/registri di errore del BMS per identificare la causa dell'arresto e correggerla
- 2- Spegner/scollegare i carichi e ricaricare la batteria
- 3- Verificare il cablaggio tra BMS e SBP e il Morsetto remoto del SBP
- 4- Verificare che il BMS funzioni correttamente

E8: Corrente inversa

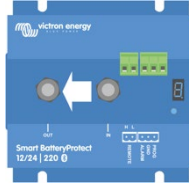
La protezione contro la corrente inversa si attiva se si rileva un flusso di corrente inversa

ATTENZIONE: Il SBP è progettato per consentire o evitare SOLAMENTE il flusso di corrente dai morsetti IN a quelli OUT. Il flusso di corrente inversa è severamente vietato e può danneggiare permanentemente il SBP.

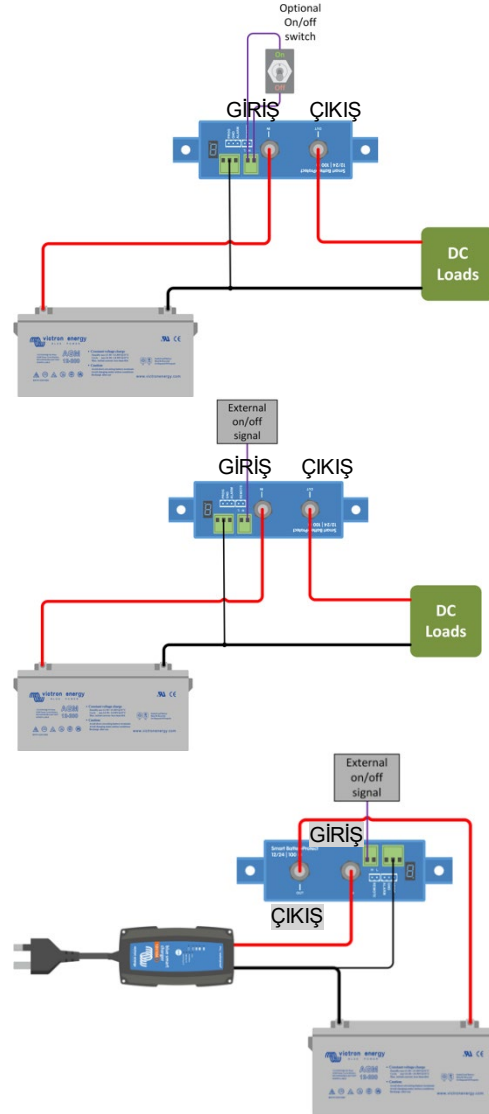
- 1- Verificare che l'orientamento di installazione del SBP sia corretto: il flusso di corrente deve scorrere da IN a OUT (vedere gli esempi di schemi di cablaggio)
- 2- Confermare che delle fonti di carica non siano collegate inavvertitamente al morsetto/circuito OUT del SBP
- 3- Se il SBP si utilizza per scollegare una fonte di carica, confermare che non ci siano carichi inavvertitamente collegati al morsetto/circuito IN del SBP

Smart BatteryProtect 12/ 24 V
TÜRKÇE
Kurulum

- Smart BatteryProtect (SBP) iyi havalandırılan bir yere kurulmalı ve tercihen aküye yakın (maks. 50 cm) olmalıdır (ancak korozif gaz ihtimali nedeniyle akünün üzerinde olmamalıdır). **Akünün artı kutbuyla SBP arasındaki aşırı uzun veya yetersiz etabli bir kablo üzerindeki voltaj düşüşü, yük başlatırken kısa devre alanının devreye girmesine veya SBP'nin beklenmedik şekilde kapanmasına neden olabilir.**
- Akü ve SBP arasındaki kabloya yerel düzenlemeler uyarınca uygun boyutta bir sigorta takılmalıdır.
- SBP, akımın sadece GİRİŞ (akü) ve ÇIKIŞ (yük) terminaleri arasında akışına izin verecek şekilde tasarlanmıştır. ÇIKIŞ ve GİRİŞ terminalerinden ters akımlar kesinlikle yasaktır ve cihaza zarar verir. SBP'yi bir şarj kaynağı için bir bağlantı kesme olarak kullanmak istiyorsanız sistemdeki üniteyi akımın istenen doğrultuda, GİRİŞTEN ÇIKIŞA doğru akacağı şekilde yönlendirmeniz gerekir.
- Yükleri doğrudan kapasitörlerine giriş kısımlarından bağlamayı denerseniz (ör. invertörler) SBP'nin kısa devre koruması devreye girer. Böyle kullanım durumunda, invertördeki uzaktan açma/kapama düğmesini kontrol etmek için yüksek güç DC hattının bağlantısını kesmek yerine BP'yi kullanın.
- GND bağlantısı için 1,5 mm² kablo kullanın (paketin içindedir) ve bu kabloyu doğrudan akünün eksi terminaline (ya da aracın şasisine) bağlayın. Bu kabloya başka donanım bağlanmamalıdır.
- SBP, sistem voltajını otomatik olarak **sadece bir kez** ilk güç açıldığında tespit eder. Seçilen voltaj (12 veya 24 V) depoların ve daha fazla otomatik algılama devre dışı bırakılır. Farklı bir kurulumda SBP'yi tekrar kullanırken nasıl yeniden başlatılacağını veya Bluetooth'u nasıl kullanacağını öğrenmek için programlama tablosunda **d** bölümüne bakın: **d**
- SBP tamamen programlanmadan yük çıkışı bağlanmaz.
- Uzak H ile Uzak L terminali arasında (bkz. şekil 1) uzaktan açma-kapama anahtarı bağlanabilir. Alternatif olarak H terminali yükseğe (akünün artı kutbuna) ya da L terminali düşüğe (akünün eksi kutbuna) anahtarlanabilir.
- Alarm çıkışı terminali ile akünün artı kutbu arasında (bkz. şekil 1) sesli ikaz, LED veya röle bağlanabilir. Alarm çıkışındaki maksimum yük: 50 mA (kısa devre korumalı).

**Teknik Özellikler**

Smart BatteryProtect	SBP-65	SBP-100	SBP-220
Maksimum sürekli yük akımı	65 A	100 A	220 A
Pik akım	250 A	600 A	600 A
Çalışma voltajı aralığı	6-35 V		
Akım tüketimi	BLE Açık	Açıkken: 1.4 mA Kapalıyken veya düşük voltajda kapanma durumunda: 0.9 mA	
	BLE Kapalı	Açıkken: 1.2 mA Kapalıyken veya düşük voltajda kapanma durumunda: 0.7 mA	
Alarm çıkış gecikmesi	12 saniye		
Alarm çıkışındaki maks. yük	50 mA (kısa devre koruması)		
Yük kesinti gecikmesi	90 saniye (VE.Bus BMS tarafından tetiklenirse anında)		
Yük yeniden bağlama gecikmesi	30 saniye		
Varsayılan eşikler	Devre dışı kalma: 10.5 V veya 21 V		Devreye girme: 12 V veya 24 V
Çalışma sıcaklığı aralığı	Tam yük: -40°C ila +40°C (50°C'de nominal yükün %60'ına kadar)		
Bağlantı	M6	M8	M8
Ağırlık	0.2 kg 0.5 lb	0.5 kg 1.1 lb	0.8 kg 1.8 lb
Boyutlar (Y x G x D)	40 x 48 x 106 mm 1.6 x 1.9 x 4.2 inç	59 x 42 x 115 mm 2.4 x 1.7 x 4.6 inç	62 x 123 x 120 mm 2.5 x 4.9 x 4.8 inç

Örnek Bağlantı Şemaları**Yük kesinti olayları ve alarm çıkış seçenekleri**

Sesli ikaz veya LED modu (alarm çıkışına sesli ikaz veya LED bağlı):

- Düşük voltaj olması halinde 12 saniyenin ardından sürekli alarm çalınır. 90 saniyenin sonunda SBP otomatik olarak yükü keser ve alarm durur. Yeniden bağlanma gecikmesi: 30 saniye.
- Aşırı voltaj olması halinde yük derhal kesilir ve aşırı voltaj sorunu giderilene kadar aralıklı bir alarm verilir. Yeniden bağlanma gecikmesi yoktur.

Röle modu (alarm çıkışına röle bağlı):

- Düşük voltaj olması halinde 12 saniyenin ardından röle devreye girer. 90 saniyenin sonunda SBP otomatik olarak yükü keser ve röle devreden çıkar.
- Aşırı voltaj olması halinde yük derhal kesilir ve alarm çıkışı devre dışı kalmaya devam eder. Yüksek voltaj trip seviyeleri: sırasıyla 16 V ve 32 V

Li-ion modu:

- VE.Bus BMS'nin yük kesme çıkışı Uzak H terminaline bağlayın. VE.Bus BMS'nin yük kesme çıkışı "yüksek" durumundan "serbest yüzdürme" durumuna geçtiğinde yük derhal kesilir (akü hücresi düşük voltajı, aşırı voltajı veya aşırı sıcaklığı nedeniyle). SBP'nin düşük voltaj eşik ve alarm çıkışı bu modda devre dışı kalır.

Çalıştırma

Bluetooth bağlantılı bir akıllı telefon ya da tablet kullanırken 7 segmentli ekranda ve VictronConnect'te gösterilen 9 olası hata modu ve 2 uyarı modu vardır:

- E 1 Kısa devre algılandı
- E 2 Aşırı yük veya aşırı sıcaklık / P2 aşırı sıcaklık uyarısı
- E 3 Düşük voltaj / P3 düşük voltaj uyarısı
- E 4 Aşırı voltaj
- E 5 Ayar Arızası
- E 6 Referans Voltaj Arızası
- E 7 BMS Kilidi

5 dakikanın ardından akım tüketimi azaltmak için ekrandaki hata gösterimi sonlandırılır.

Her hatayla ilgili daha fazla bilgi için lütfen Ek'e bakın.

7 segmentli ekranın ondalık hanesi durum gösterimi için kullanılır:

- Sürekli açık: SBP, çıkışı etkinleştirmeye çalışıyor
- 5 saniyede bir yanıp sönme: Çıkış etkin
- Li-Ion modunda 2 saniyede bir yanıp sönme: Çıkış "bağlanıyor"

Uzaktan kontrol ve kısa devre

- SBP, uzak kontak kapatıldıktan 1 saniye sonra yükü bağlar.
- Uzak kontak açıldığında SBP yükü derhal keser.
- Li-ion modunda SBP, uzak girişi serbest yüzdürme durumuna geçtikten sonra 30 saniyelik bir işlevsiz süre geçirir. Ayrıntılı açıklama için şekil 4 altındaki nota bakın.
- Kısa devre olması halinde SBP her 5 saniyede bir yükü bağlamaya çalışır. İki denemenin ardından ekranda E 1 (kısa devre algılandı) hatası gösterilir.

Programlama

Kapalıyken (uzaktan açık) SBP, PROG pimi toprağa bağlanarak programlanabilir. Alternatif olarak, VictronConnect kullanan Bluetooth bağlantılı bir akıllı telefon veya tablet ile programlanabilir.

7 segmentli ekran ilk önce kapamayı ve daha sonra voltaj yeniden başlatmayı gösterecektir. İstenilen voltaj görüntülendiğinde PROG piminin bağlantısını kesin.

Seçilen voltaj ve varsayılan mod (A) ekranda iki kez doğrulanır.

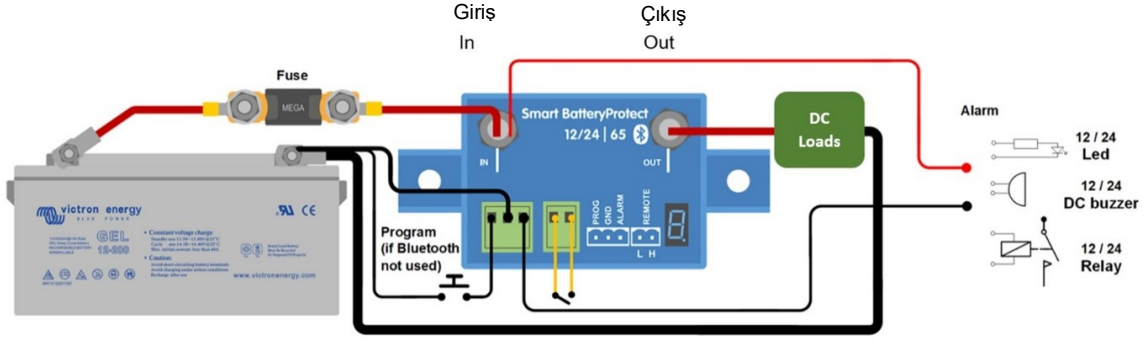
Başka bir mod (b, c or d) gerekiyorsa PROG pimini toprağa yeniden bağlayın. Gereken mod görüntülendiğinde bağlantıyı kesin.

Seçilen voltaj ve mod ekranda iki kez doğrulanır.

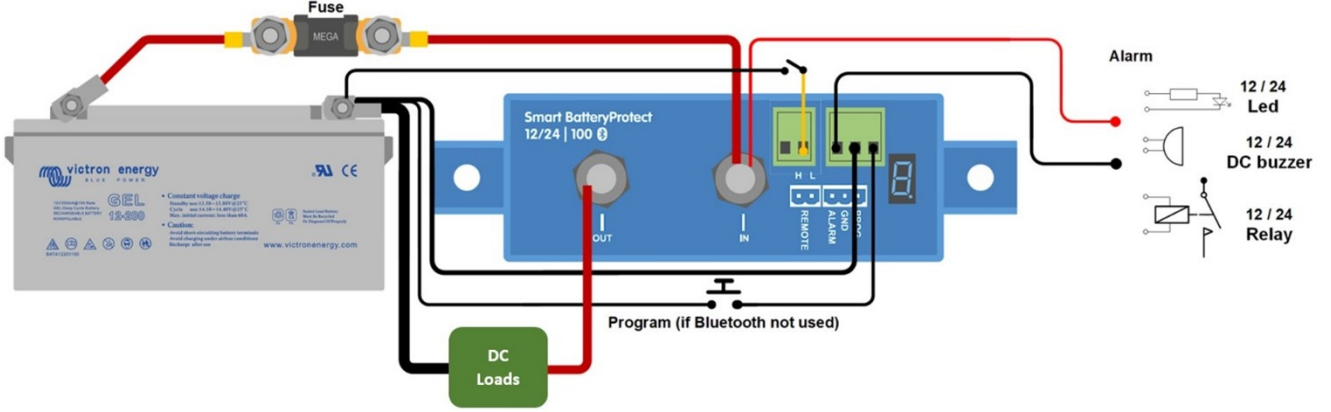
Bluetooth, VictronConnect uygulaması ile ya da PROG pimini toprağa bağlayıp F (etkinleştir) veya h (devre dışı bırak) öğesini seçerek devre dışı bırakılabilir/yeniden etkinleştirilebilir. Aşağıdaki tabloya bakınız

Programlama tablosu

7 segmentli ekran	Düşük voltajda kapanma 12 V / 24 V sistem	Düşük voltajda yeniden başlatma 12 V / 24 V sistem
D	10.5V / 21V	12V / 24V
I	10V / 20V	11.5V / 23V
2	9.5V / 19V	11.5V / 23V
3	11.25V / 22.5V	13.25V / 26.5V
4	11.5V / 23V	13.8V / 27.6V
5	10.5V / 21V	12.8V / 25.6V
6	11.5V / 23V	12.8V / 25.6V
7	11.8V / 23.6V	12.8V / 25.6V
B	12V / 24V	13V / 26V
9	10V / 20V	13.2V / 26.4V
-	Bluetooth ile kullanıcı tanımlı ayarlar	
A	Sesli ikaz veya LED modu	
b	Röle modu	
C	Li-ion modu	
d	Sistem voltajını algıla	
F	Bluetooth Etkin	
h	Bluetooth Devre Dışı	



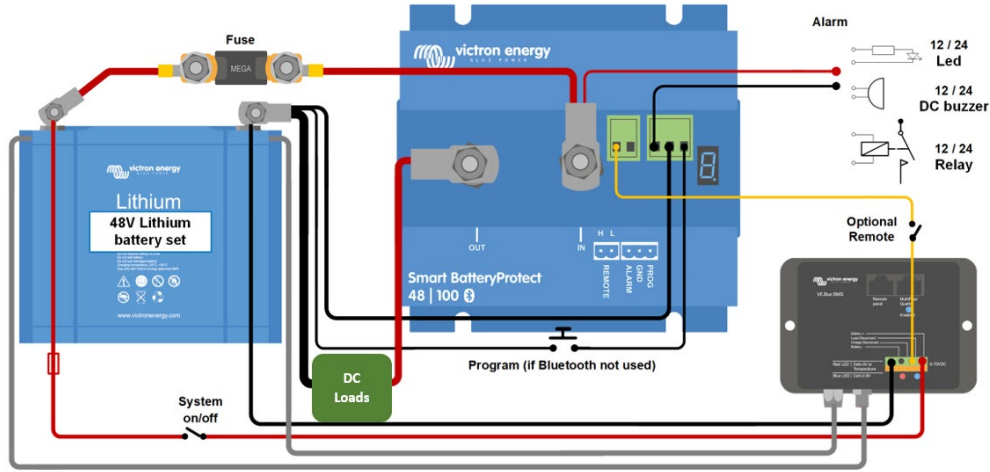
Şekil 1: SBP-65'in Bağlantı şeması (sistem açma/kapama işlevi için uzak girişi kullanın)



Şekil 2: SBP-100 ve SBP-220'nin Bağlantı şeması (sistem açma/kapama işlevi için uzak girişi kullanın)

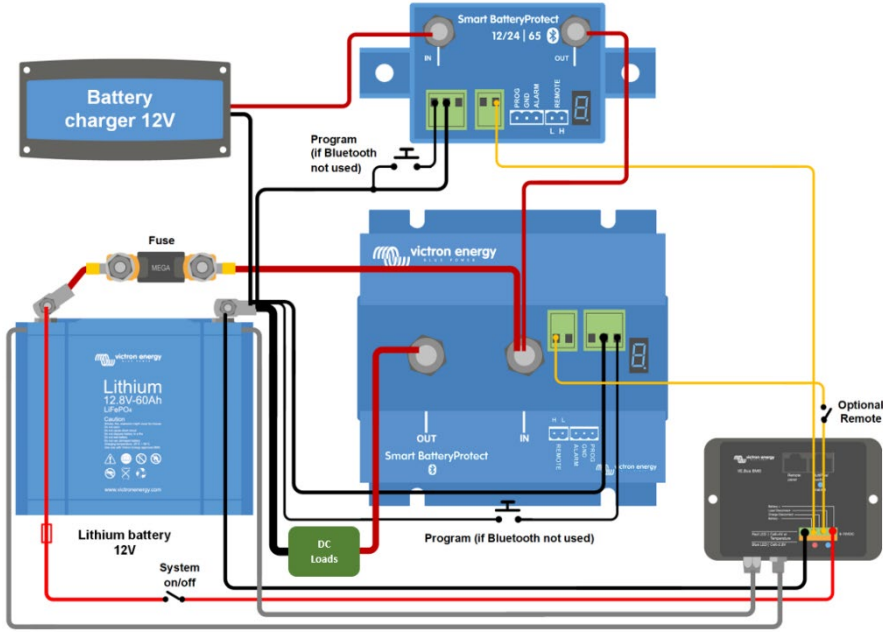
- 2.1 H remote (Açmak için uzak H terminali akünün artı kutbuna bağlanabilir)
- 2.2 L remote (Açmak için uzak L terminali akünün eksi kutbuna bağlanabilir)
- 1.1 ALARM
- 1.2 GND
- 1.3 PROG

Şekil 3: Konnektörler ve pim numaraları



Şekil 4: Li-ion akülü sistem (VE.Bus BMS veya smallBMS ile kullanılabilir)

Not: Li-ion modunda SBP, H girişi serbest yüzdürme durumuna geçtiğinde devreden çıkar ve ilgili süre içinde yeniden devreye girme sinyali olsa bile 30 saniye boyunca devre dışı kalır. 30 saniye sonra yeniden devreye girme sinyaline derhal yanıt verir. Bu nedenle, SBP bir sistem açma-kapama anahtarı olarak kullanılırsa (bu amaçla BMS'in artı kutup beslemesinde Sistem açma/kapama anahtarını bağlayın) bekleme süresi olmayacaktır. Benzer şekilde, düşük hücre voltajına bağlı bir sistem kapanması gerçekleşirse SBP, ilgili süre içinde bir yeniden devreye girme sinyali olsa bile 30 saniye boyunca devre dışı kalacaktır (aküye başka bir yük bağlı olmadığında meydana gelir). 3 yeniden devreye girme girişiminin ardından SBP, en az 30 saniye süresince akü voltajı 13 V'nin üzerine (sırasıyla 26 V) (akünün yeniden şarj olmaya başladığını gösteren bir işaret) çıkana kadar devre dışı kalır. SBP'nin düşük voltaj eşiği ve alarm çıkışı bu modda devre dışı kalır.



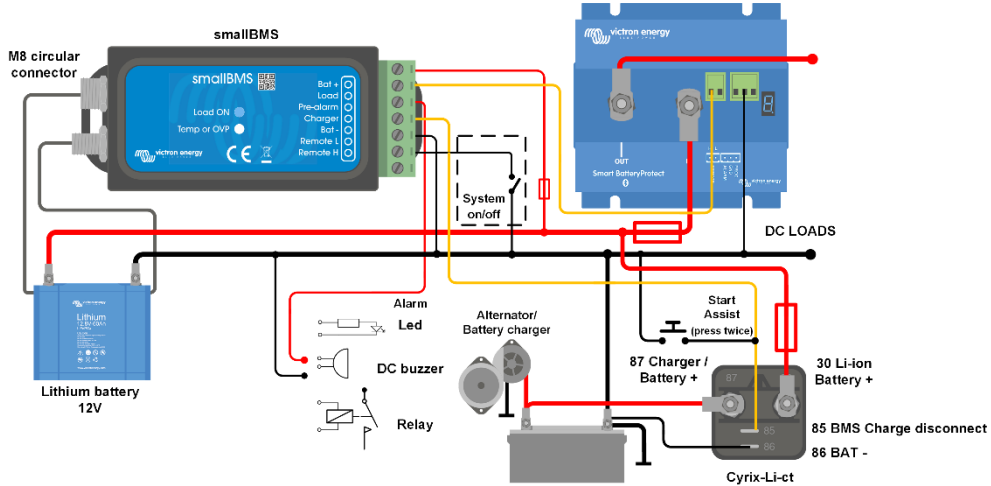
Şekil 5: Bir akü şarj cihazı veya MPPT güneş enerjili şarj kontrol birimi ile Li-ion akü arasındaki ikinci bir Smart BatteryProtect (VE.Bus BMS veya smallBMS ile kullanılabilir)

İkinci SBP, bir Cyrix-Li şarj rölesinin yerini alır (avantajlar: düşük güç tüketimi, alarm rölesi).

(Şarj cihazı uzaktan açma-kapama kontağına sahipse ve BMS ile şarj cihazı arasındaki bir arabirim kablosu ile kontrol edilebiliyorsa geçerli değildir)

Bu uygulama için \square programını seçin.

Dikkat: $V_{out} > V_{in}$ ise kontrolsüz ters akım Smart BatteryProtect'ten geçer. Bu nedenle Smart BatteryProtect cihazını hiçbir zaman aküden aküye şarj için kullanmayın.



Şekil 6: H ve L arasındaki açma/kapama anahtarıyla beraber, araç ya da tekne için örnek uygulama (VE.Bus BMS veya smallBMS ile kullanılabilir)

EK**Hata/Uyarı Kodları****E0: Kalibrasyon hatası**

İç arıza – kalibrasyon verisi hatası/kaybı



Destek için bayi ile iletişime geçin – Hatayı kullanıcı gideremez ve SBP'nin değişmesi gerekmektedir

E1: Kısa devre

Kısa devre, aşırı yük durumu veya aşırı demeraj akımı - bir invertörü doğrudan çalıştırma girişimlerinde olduğu gibi- durumlarında kısa devre koruması devreye girer



- 1- Potansiyel bir kısa devre durumunun olup olmadığını kontrol edin
- 2- Çekilen yük akımının SBP akım oranını aşmadığını doğrulayın
- 3- DC kaynağını doğrudan çalıştırmak/durdurmak yerine yüksek demeraj akımının olduğu yüklerde uzaktan açma/kapama anahtarını kontrol etmek için SBP'yi kullanın
- 4- Düşük/yüksek direnç bağlantılarını kontrol edin ve kurulumda uygun ölçüm kablusunun kullanıldığından emin olun

P2: Aşırı sıcaklık uyarısı**Yük kesintisini önlemek için acil müdahale gereklidir**

Limite yakın iç sıcaklık. Sıcaklık yükselmeye devam ederse aşırı sıcaklık koruması devreye girecektir

E2: Aşırı sıcaklık

Aşırı iç sıcaklık durumunda aşırı sıcaklık koruması devreye girer



- 1- Çekilen yük akımının SBP akım oranını aşmadığını doğrulayın
- 2- Düşük/yüksek direnç bağlantılarını kontrol edin ve kurulumda uygun ölçüm kablusunun kullanıldığından emin olun
- 3- SBP ünitesini yüksek sıcaklık ya da radyan ısıya maruz kalan bir konuma kurmayın - SBP'yi daha serin bir konuma taşıyın ya da ek aktif soğutma sağlayın

F3: Düşük voltaj uyarısı**Yük kesintisini önlemek için acil müdahale gereklidir**

Bir müdahale olmazsa 90 saniye içinde düşük voltaj uyarısı devreye girecektir

E3: Düşük voltaj

Giriş voltajı 90 saniye boyunca seçilen voltaj limitinin altına düşerse düşük voltaj koruması devreye girer



- 1- Yükleri kapatın/kesin ve aküyü yeniden şarj edin
- 2- Şarj sistemini ve aküyü uygun operasyon için kontrol edin

E4: Aşırı voltaj

Giriş voltajı 64 V'yi geçerse aşırı voltaj koruması devreye girer

Giriş voltajı 16 V'yi (12 V sistemler için) veya 32 V'yi (24 V sistemler için) geçerse aşırı voltaj koruması devreye girer



- 1- Sistemdeki tüm şarj cihazlarının yapılandırmasını, özellikle sistem voltajı ve şarj voltajı ayarlarını onaylayın
- 2- Şarj sistemini uygun operasyon için kontrol edin
- 3- SBP sistemi voltajı yapılandırmasının doğru olduğunu onaylayın

E5: Yapılandırma hatası

İç arıza – yapılandırma verisi hatası/kaybı



- SBP'yi bu durumdan kurtarmak için:
- 1- Ayarlar > Daha fazla seçenek > Fabrika ayarlarına geri dön menüsünden üniteyi fabrika ayarlarına geri döndürün
 - 2- Bütün gücü kesin ve yeniden bağlamadan önce 3 dakika bekleyin
 - 3- Üniteyi gerektiği şekilde yeniden yapılandırın

E6: Referans voltaj hatası

İç arıza - referans voltaj hatası/kaybı



Destek için bayi ile iletişime geçin – Hatayı kullanıcı gideremez ve SBP'nin değişmesi gerekmektedir

E7: BMS kilidi

Dış BMS'nin SBP'yi 3 kez ardı ardına bağlantı kesmeye ve sonra yeniden bağlanmaya zorlaması halinde BMS kilidi koruması devreye girer (düşük hücre voltajı sebebiyle yaşanan kapanma durumunda tipik davranış)

E7 devreye girdikten sonra giriş voltajı 52 V'yi geçene değin SBP'nin kesintisi sürecektir



- 1- Kapanmanın sebebini bulmak ve sorunu gidermek için BMS hata kodlarını/kaydını kontrol edin
- 2- Yükleri kapatın/kesin ve aküyü yeniden şarj edin
- 3- BMS ile SBP Uzak terminali arasındaki kabloları kontrol edin
- 4- BMS'yi uygun operasyon için kontrol edin

E8: Ters akım

Ters akım akışı tespit edilirse ters akım koruması devreye girer

DİKKAT: SBP, SADECE İÇ terminallerden DIŞ terminallere akım akışını serbest bırakmak ya da önlemek üzere tasarlanmıştır. Ters akım akışı kesinlikle yasaktır ve SBP'ye kalıcı zarar verebilir.



- 1- SBP kurulum yönünün doğru olup olmadığını kontrol edin - akım akışı İÇ-DIŞ yönünde olmalıdır (örnek kablo diyagramlarına bakın)
- 2- Hiçbir şarj kaynağının yanlışlıkla SBP DIŞ terminali/devresine bağlanmadığından emin olun
- 3- SBP bir şarj kaynağını kesmek üzere kullanılıyorsa hiçbir yükün yanlışlıkla SBP İÇ terminali/devresine bağlanmadığından emin olun