



Grid Support Utility Interactive Inverter

Solis 4G Single Phase Inverter

-US version

Installation and Operation Manual

Solis-1P1K-4G-US, Solis-1P1.5K-4G-US, Solis-1P2K-4G-US,
Solis-1P2.5K-4G-US, Solis-1P3K-4G-US, Solis-1P3.6K-4G-US,
Solis-1P4K-4G-US, Solis-1P4.6K-4G-US, Solis-1P5K-4G-US
Solis-1P6K2-4G-US



Manufacturer: Ginlong (Ningbo) Technologies Co.,Ltd., Ningbo, Zhejiang, P.R.China

US Office: 565 Metro Pl. S. Suite 3214, Dublin OH 43017, USA

Toll-free: 866.438.8408 | Email: sales@ginlong.com | ussales@ginlong.com

Web: www.ginlong.com | www.ginlong-usa.com

Please record the serial number of your inverter and quote this when you contact us.



Comply with CA Rule 21/

Certified to UL 1741 SA

© Ningbo Ginlong Technologies Co., Ltd.

Contents

1. Introduction	3
1.1 Product Description	3
1.2 Packaging	4
2. Safety Instructions	5
2.1 Safety Symbols	5
2.2 General Safety Instructions	5
2.3 Notice For Use	6
3. Overview	7
3.1 Front Panel Display	7
3.2 LED Status Indicator Lights	7
3.3 Keypad	8
3.4 LCD	8
4. Installation	9
4.1 Select Location for the Inverter	9
4.2 Mounting the Inverter	11
4.3 Electrical Connections	14
4.3.1 Terminal Connections	15
4.3.2 Connect PV Side of Inverter	15
4.3.3 Connect Grid Side of Inverter	16
4.3.4 Ground Connection	17
4.3.5 Max. Overcurrent Protection Device (OCPD)	18
4.3.6 Inverter Monitoring Connection	18
5. Start & Stop	19
5.1 Start the Inverter	19
5.2 Inverter Working Status	20
5.3 Stop the Inverter	20
6. Operation	21
6.1 Main Menu	21
6.2 Information	21
6.2.1 Lock Screen	23

Contents

6.3 Settings	23
6.3.1 Set Time	23
6.3.2 Set Address	23
6.4 Advanced Info.	24
6.4.1 Alarm Message	24
6.4.2 Running Message	25
6.4.3 Version	25
6.4.4 Daily Energy	25
6.4.5 Monthly Energy and Yearly Energy	25
6.4.6 Daily Record	26
6.4.7 Communication Data	26
6.4.8 Warning Message	26
6.5 Advanced Settings	26
6.5.1 Select Standard	26
6.5.2 Grid ON/OFF	28
6.5.3 Clear Energy	28
6.5.4 New Password	28
6.5.5 Power Control	28
6.5.6 Calibrate Energy	29
6.5.7 Special Setting	29
6.5.8 STD. Mode Settings	33
6.5.9 Restore Settings	37
6.5.10 HMI Updater	37
6.5.11 EPM Settings	37
6.5.12 Reset HMI	37
6.5.13 Debug Parameter	37
6.5.14 DSP Updater	37
6.5.15 Power Parameter	38
6.6 ARC Fault	38
7. Maintenance	39
8. Troubleshooting	39
9. Specifications	44
9.1 Technical Data	44

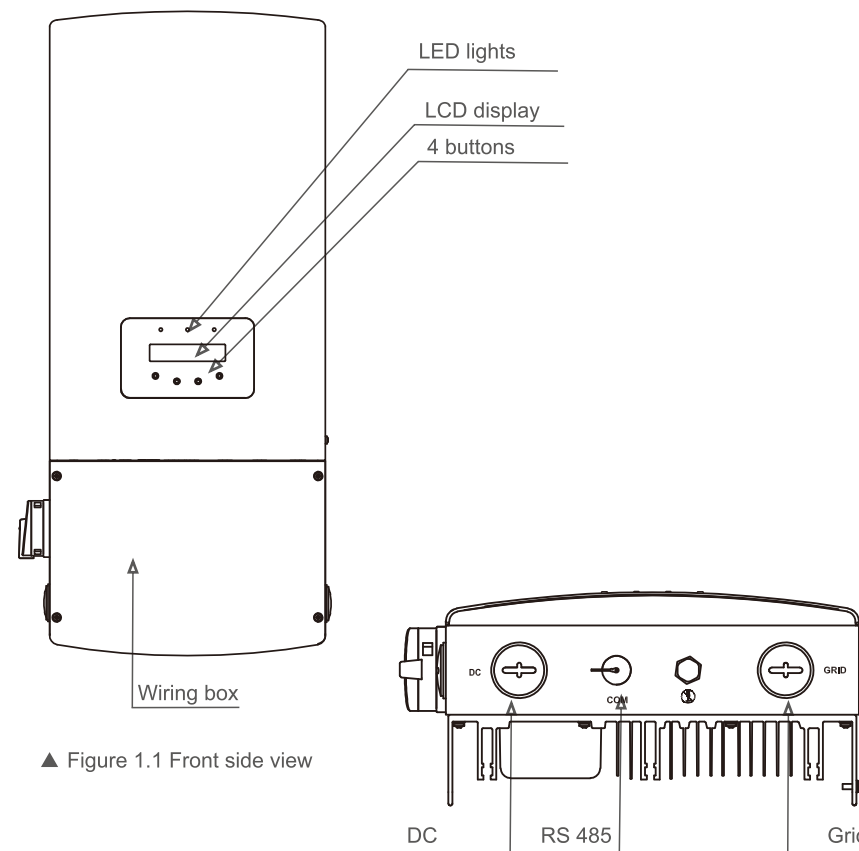
1. Introduction

1.1 Product Description

Solis single phase US series inverters can transfer DC power from PV panels into AC power and feed into grid.

Solis single phase US series inverters contain 10 models which are listed below:

Solis-1P1K-4G-US, Solis-1P1.5K-4G-US, Solis-1P2K-4G-US, Solis-1P2.5K-4G-US, Solis-1P3K-4G-US, Solis-1P3.6K-4G-US, Solis-1P4K-4G-US, Solis-1P4.6K-4G-US, Solis-1P5K-4G-US, Solis-1P6K2-4G-US



▲ Figure 1.1 Front side view

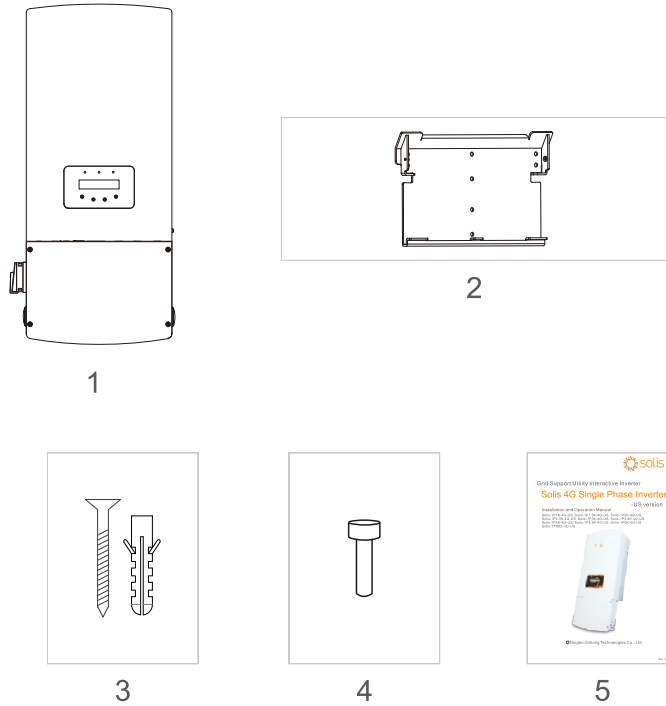
▲ Figure 1.2 Bottom side view

1. Introduction

2. Safety Instructions

1.2 Packaging

When you receive the inverter, ensure that all the parts listed below are included:



Part #	Description	Number
1	PV grid tie inverter	1
2	Wall mounting bracket	1
3	Expansion screws	4
4	Locking screws	2
5	Manual	1

▲ Table 1.1 Parts list

Improper use may result in potential electric shock hazards or burns. This manual contains important instructions that should be followed during installation and maintenance. Please read these instructions carefully before use and keep them for future reference.

2.1 Safety Symbols

Safety symbols used in this manual, which highlight potential safety risks and important safety information, are listed as follows:



WARNING:

WARNING symbol indicates important safety instructions, which if not correctly followed, could result in serious injury or death.



NOTE:

NOTE symbol indicates important safety instructions, which if not correctly followed, could result in some damage or the destruction of the inverter.



CAUTION:

CAUTION, RISK OF ELECTRIC SHOCK symbol indicates important safety instructions, which if not correctly followed, could result in electric shock.



CAUTION:

CAUTION, HOT SURFACE symbol indicates safety instructions, which if not correctly followed, could result in burns.

2.2 General Safety Instructions



WARNING:

Please don't connect PV array positive(+) or negative(-) to ground, it could cause serious damage to the inverter.



WARNING:

Electrical installations must be done in accordance with the local and national electrical safety standards.

2. Safety Instructions

3. Overview



WARNING:

To reduce the risk of fire, over-current protective devices (OCPD) are required for circuits connected to the Inverter. The DC OCPD shall be installed per local requirements. All photovoltaic source and output circuit conductors shall have disconnects that comply with the NEC Article 690, Part II. All Solis single phase inverters feature an integrated DC switch.



CAUTION:

Risk of electric shock. Do not remove cover. There is no user serviceable parts inside. Refer servicing to qualified and accredited service technicians.



CAUTION:

The PV array (solar panels) supplies a DC voltage when they are exposed to sunlight.



CAUTION:

Risk of electric shock from energy stored in capacitors of the inverter. Do not remove cover for 5 minutes after disconnecting all power sources (service technician only). Warranty may be voided if the cover is removed without authorization.



CAUTION:

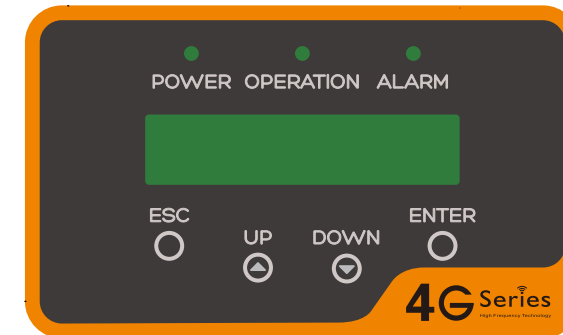
The surface temperature of the inverter can reach up to 75°C (167 F). To avoid risk of burns, do not touch the surface of the inverter while it's operating. Inverter must be installed out of the reach of children.

2.3 Notice For Use

The inverter has been constructed according to the applicable safety and technical guidelines. Use the inverter in installations that meet the following specifications ONLY:

1. Permanent installation is required.
2. The electrical installation must meet all the applicable regulations and standards.
3. The inverter must be installed according to the instructions stated in this manual.
4. The inverter must be installed according to the correct technical specifications.
5. To startup the inverter, the Grid Supply Main Switch (AC) must be switched on, before the solar panel's DC isolator shall be switched on. To stop the inverter, the Grid Supply Main Switch (AC) must be switched off before the solar panel's DC isolator shall be switched off.

3.1 Front Panel Display



▲ Figure 3.1 Front Panel Display

3.2 LED Status Indicator Lights

There are three LED status indicator lights in the front panel of the inverter. Left LED: POWER LED (red) indicates the power status of the inverter. Middle LED: OPERATION LED (green) indicates the operation status. Right LED: ALARM LED (yellow) indicates the alarm status. Please see Table 3.1 for details

Light	Status	Description
● POWER	ON	The inverter can detect DC power
	OFF	No DC power or low DC power
● OPERATION	ON	The inverter is operating properly.
	OFF	The inverter has stopped to supply power.
	FLASHING	The inverter is initializing.
● ALARM	ON	Alarm or fault condition is detected.
	OFF	The inverter is operating properly.

▲ Table 3.1 Status Indicator Lights

3. Overview

3.3 Keypad

There are four keys in the front panel of the inverter (from left to right): ESC, UP, DOWN and ENTER keys. The keypad is used for:

- Scrolling through the displayed options (the UP and DOWN keys);
- Access to modify the adjustable settings (the ESC and ENTER keys).

3.4 LCD

The two-line Liquid Crystal Display (LCD) is located on the front panel of the Inverter, which shows the following information:

- Inverter operation status and data;
- Service messages for operator;
- Alarm messages and fault indications.

4. Installation

4.1 Select a Location for the Inverter

To select a location for the inverter, the following criteria should be considered:

- Do not install in small closed spaces where air can not circulate freely. To avoid overheating, always make sure the flow of air around the inverter is not blocked.
- Exposure to direct sunlight will increase the operational temperature of the inverter and may cause output power limiting. Ginlong Solis recommends inverter installed to avoid direct sunlight or raining.
- To avoid over heating ambient air temperature MUST be considered when choosing the inverter installation location. Ginlong recommends using a sun shade minimizing direct sunlight when the ambient air temperature around the unit exceeds 104°F/40°C.

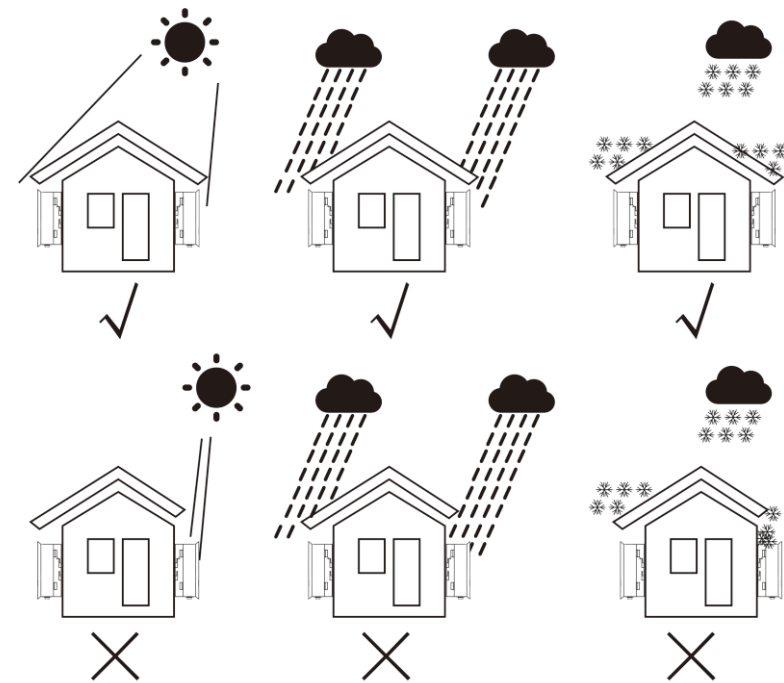
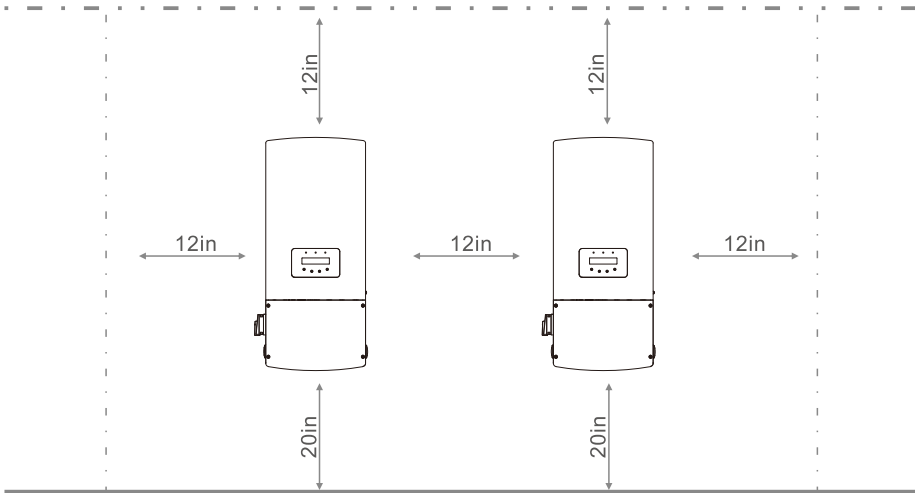


Figure 4.1 Recommended Installation Locations

4. Installation

- Install on a wall or strong structure capable of bearing the weight.
- Install vertically with a maximum incline of $\pm 5^\circ$. If the mounted inverter is tilted to an angle greater than the maximum noted, heat dissipation will be inhibited, and may result in less than expected output power.
- When one or more inverters are installed in one location, a minimum 12 inches clearance should be kept between each inverter or other objects. The bottom of the inverter should have 20 inches of clearance to the ground.



▲ Figure 4.2 Inverter Mounting Clearance

- Visibility of the LED status indicator lights and the LCD located at the front panel of the inverter should be considered.
- Adequate ventilation must be provided if the inverter is to be installed in a confined space.



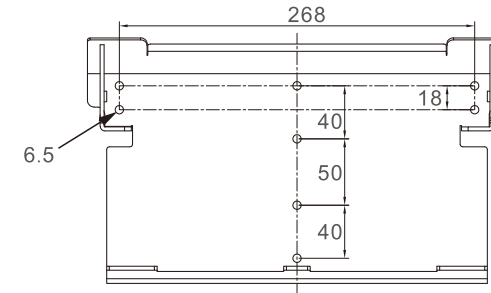
NOTE:

Nothing should be stored on or placed against the inverter.

4. Installation

4.2 Mounting the Inverter

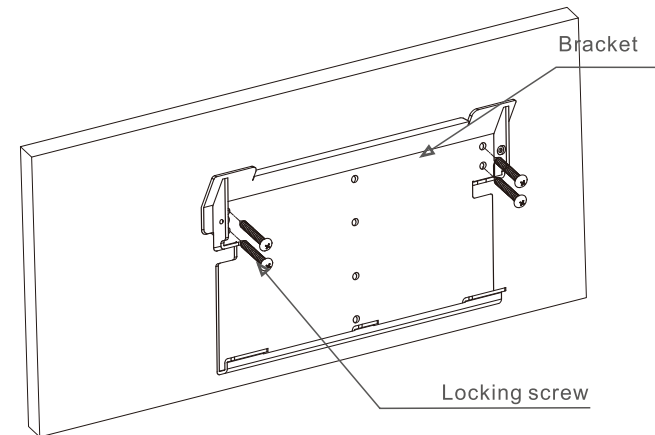
Dimensions of mounting bracket:



▲ Figure 4.3 Inverter Wall Mounting

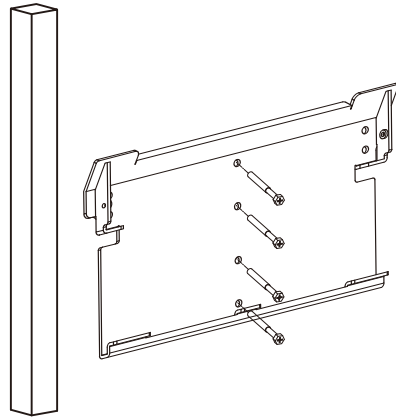
Please see Figure 4.4 and Figure 4.5 for instruction on mounting the inverter to a wall. The inverter shall be mounted vertically. The steps to mount the inverter are listed below:

1. According to the figure 4.2, select the mounting height of the bracket and mark the mounting holes. For brick walls, the position of the holes should be suitable for the expansion bolts.



▲ Figure 4.4 Inverter Wall Mounting

4. Installation



▲ Figure 4.5 Inverter Pillar Mounting

2. Ensure the bracket is horizontal and the mounting holes (in Figure 4.4 and Figure 4.5) are marked correctly. Drill the holes into the wall or pillar at your marks.

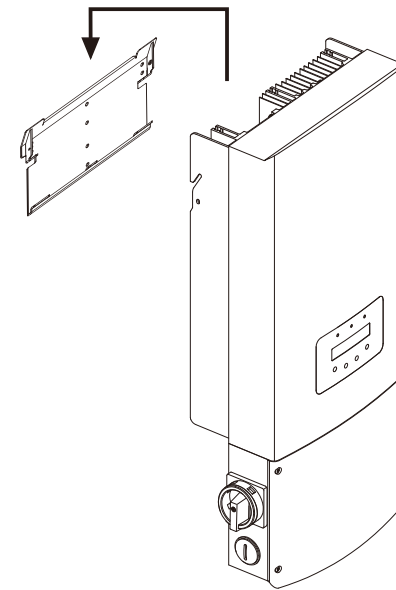
3. Use the suitable screws to fix the bracket to the wall.



WARNING:

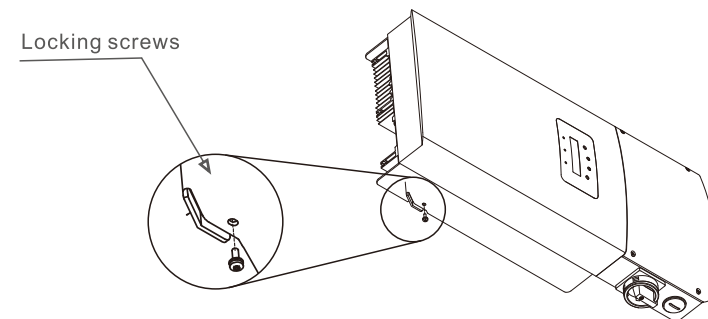
The inverter must be mounted vertically.

4. Lift up the inverter (be careful to avoid body strain), and align the back bracket on the inverter with the convex section of the mounting bracket. Hang the inverter on the mounting bracket and ensure the inverter is secure (see Figure 4.6)



▲ Figure 4.6 Wall Mount Bracket

5. Use M4*9 screws to fix the side of the inverter to the mount bracket.



▲ Figure 4.7 Fix the Inverter

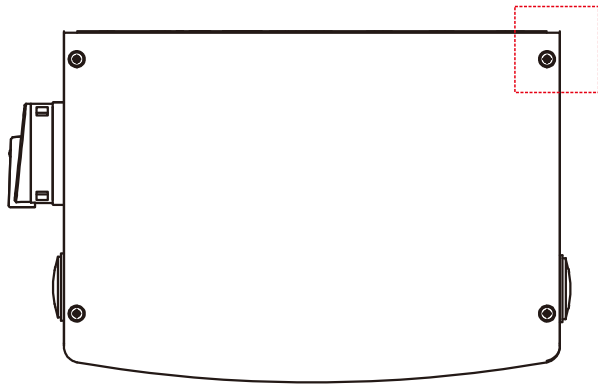
Lift up the inverter (be careful to avoid body strain), and align the back bracket on the inverter with the convex section of the mounting bracket. Hang the inverter on the mounting bracket and ensure the inverter is secure (see Figure 4.7)

4. Installation

4. Installation

4.3 Electrical Connections

Place the wiring box cover on the wiring box ensuring it is oriented correctly and start the screws. Apply pressure to the cover and tighten the screws in a cross pattern. Tighten screws to the use 1.7nm torque setting.



▲ Figure 4.8 Bottom Side of Inverter

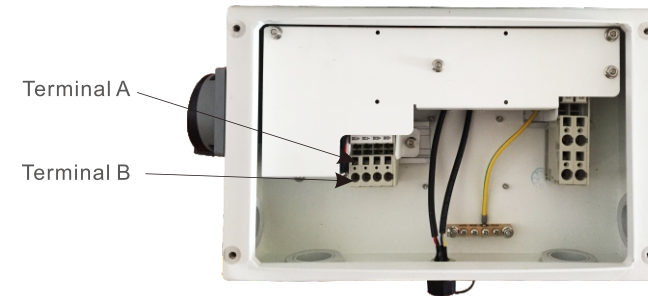
Before making electrical connections, double check to ensure the steps below are strictly followed:

- Switch the Grid Supply Main Switch (AC) OFF.
- Switch the DC Switch OFF.

Please see figure 4.9, there are four knockouts in the wiring box. The two knockouts on the left (bottom and side) are for the DC conduit entry. The two knockouts on the right (bottom and side) are for the AC conduit entry. All knockouts in the wiring box can accept trade size 1 inch or 1¼ inch (ID) conduit..

4. Installation

4.3.1 Terminal Connections



▲ Figure 4.9 Connection Area of Inverter

Strip the end of the wire ¾" minimum to 1" maximum. Use a slotted (flat-blade) screwdriver, insert the screwdriver in Terminal A (top) and insert the wire into Terminal B (bottom) of the Rapid Termination wiring block. While holding the wire in place, remove the screwdriver and the Rapid Termination spring terminal block will fix the wire in place. Use the labels on the Rapid Termination wiring block to ensure proper polarity.

4.3.2 Connect PV Side of Inverter



Warning:

Before connecting inverter, please make sure the PV array open circuit voltage is within the limit of the inverter. Otherwise the inverter could be damaged.



DO NOT connect the PV array positive or negative to ground. This can cause serious damage to the inverter.



The MPPT's cannot be wired in parallel. The inverter will not operate properly if this is done.



Before connection, please make sure the polarity of the output voltage of PV array matches the "DC+" and "DC-" symbols.



Please use qualified DC cable for PV system.

4. Installation

Cable type	Cross section	
	Range	Recommended value
Industry generic PV cable (model:PV1-F)	4.0~6.0 (12~10AWG)	4.0 (12AWG)

▲ Table 4.1 DC cable size



Damage to the DC Disconnect due to enlarged knockouts.

Enlarged knockouts enable moisture to penetrate the DC Disconnect which could damage electronic components in the DC Disconnect.

Please refer to figure 4.9. The acceptable wire size range is from **12 AWG to 8 AWG**, copper conductors only; refer to local code for appropriate wire size.

4.3.3 Connect Grid Side of Inverter

The Ginlong Solis 1-6kW Single Phase inverters can be connected to a 208V or 240V grid. The default setting is for a 240VAC single phase grid. Since the inverter monitors voltage between L1 and L2, the neutral conductor can be connected or not connected when tying the inverter to a 240V grid. Ground must be connect to the PE terminal.

Cable type	Cross section	
	Range	Recommended value
Industry generic grid cable	4~25mm ² (12~4AWG)	10-25mm ² (8-4AWG)

▲ Table 4.2 Grid cable size

There are two cable connection point for each phase, one for grid, one for AC power of RSD.

GRID STANDARD	208V~ 3PH-Δ-3W			240V~ SPLIT-PHASE		
	L1	L2	N	L1	L2	N
TERMINAL	L1	L2	N	L1	L2	N
Connection requirement	Yes	Yes	No	Yes	Yes	Optional

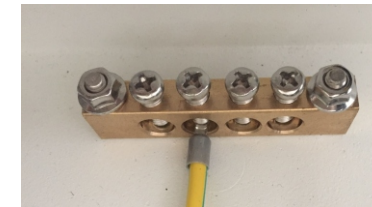
▲Table 4.3 Grid Terminal Connection

4. Installation

4.3.4 Ground Connection

Internal ground connection point

Please see figure 4.10. Both DC and AC ground cable can be connect to ground terminal Above DC switch. The acceptable wire size for ground is **12AWG to 4 AWG**. The torque is 26 in-lbs (3 Nm) .



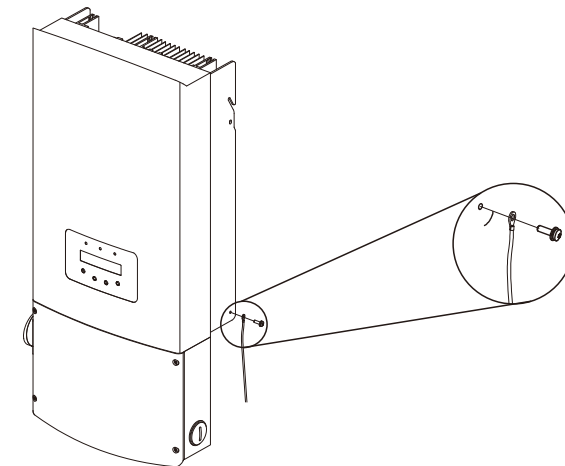
▲ Figure 4.10 Grounding Terminal on Heat-Sink

External ground connection point

An external ground connection is provided at the right side of inverter.

Prepare OT terminals: M4. Use proper tooling to crimp the lug to the terminal.

Connect the OT terminal with ground cable to the right side of inverter. The torque is 20 in-lbs (2Nm).



▲ Figure4.11 Connect the External Grounding Conductor

4. Installation

4.3.5 Max. Overcurrent Protection Device (OCPD)

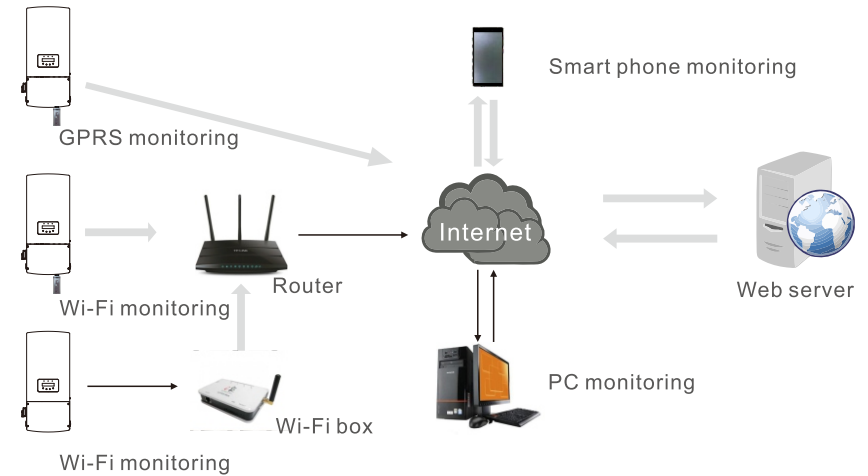
To protect the inverter's AC grid connection conductors, Ginlong Solis recommends installing breakers that will protect against overcurrent. The following table defines OCPD ratings for the Ginlong Solis 1-6kW single phase inverters.

Inverter	Rated voltage(V)	Rated output power (kW)	Current for protection device (A)
Solis-1P1K-4G-US	240/208	1/1	10/10
Solis-1P1.5K-4G-US	240/208	1.5/1.5	10/10
Solis-1P2K-4G-US	240/208	2/2	20/20
Solis-1P2.5K4-4G-US	240/208	2.5/2.5	20/20
Solis-1P3K-4G-US	240/208	3/3	20/20
Solis-1P3.6K-4G-US	240/208	3.6/3.6	20/30
Solis-1P4K-4G-US	240/208	4/4	30/30
Solis-1P4.6K-4G-US	240/208	4.6/4.6	30/30
Solis-1P5K-4G-US	240/208	5/5	30/30
Solis-1P6K2-4G-US	240/208	6/5.2	40/40

▲ Table 4.4 Rating of Grid OCPD

4.3.6 Inverter Monitoring Connection

The inverter can be monitored via Wi-Fi or GPRS. All Ginlong Solis communication devices are optional (Figure 4.9). For connection instructions, please refer to the Ginlong Solis Monitoring Device installation manuals.



▲ Figure 4.12 Wi-Fi Communication Function

5. Start & Stop

5.1 Start the Inverter

To start up the Inverter, it is important that the following steps are strictly followed:

1. Switch the grid supply main Switch (AC) ON first.
2. Switch the DC switch ON. If the voltage of PV arrays are higher than start up voltage, the inverter will turn on. The red LED power will light.
3. When both the DC and the AC sides supply to the inverter, it will be ready to generate power. Initially, the inverter will check both its internal parameters and the parameters of the AC grid to ensure that they are within the acceptable limits. At the same time, the green LED will flash and the LCD displays the information of INITIALIZING.
4. After 30-300 seconds (depending on local requirement), the inverter will start to generate power. The green LED will be on continually and the LCD displays GENERATING.



WARNING:

Do not touch the surface when the inverter is operating. It may be hot and cause burns.

5. Start & Stop

5.2 Inverter Working Status

When inverter working normally, there would be 5 status :

Generating: Inverter is working normally.

LimByTemp: Inverter power limited by over ambient temperature.

Check inverter surrounding ventilation.

Check if there's sunshine direct on inverter in hot weather.

LimByFreq: Inverter power limited by over grid frequency.

Check setting in 6.5.8.3, this is normal for UL1741SA requirement.

When grid frequency increases above the normal operating threshold, the output power will be limited.

LimByVg: Inverter power limited by over grid voltage.

Check setting in 6.5.8.1, work mode 6.

This is normal for UL1741SA requirement.

When grid voltage increases above the normal operating threshold, the output power will be limited.

LimByVar: Inverter power limited by generating reactive power.

Check setting in 6.5.8.1, mode4, this is normal for Rule21 and UL1741SA requirement.

The inverter will generate more reactive power when the grid needs it. The active output power will be limited.

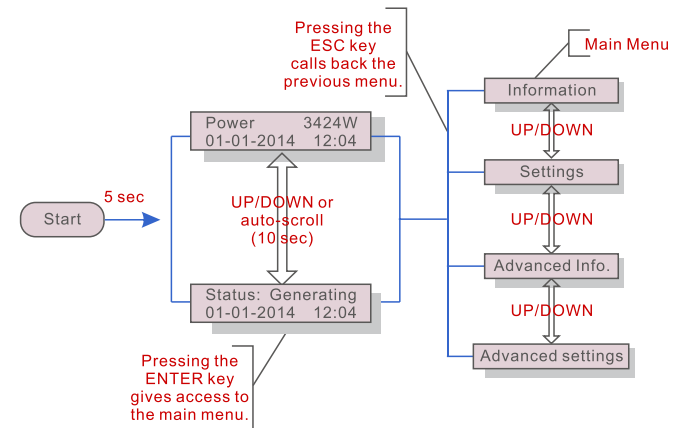
5.3 Stop the Inverter

To stop the Inverter, the following steps must be strictly followed:

1. Switch the Supply Main Switch (AC) OFF.
2. Wait 30 seconds. Switch the DC Switch OFF. All the LEDs of the inverter will be off in one minute.

6. Operation

During normal operation, the display alternately shows the power and the operation status with each screen lasting for 10 seconds (see Figure 6.1). Screens can also be scrolled manually by pressing the UP and DOWN keys. Press the ENTER key to access to the Main Menu.



▲ Figure 6.1 Operation Overview

6.1 Main Menu

There are four submenus in the Main Menu (see Figure 6.1):

1. Information
2. Settings
3. Advanced Info.
4. Advanced Settings

6.2 Information

The Solis Single Phase Inverter main menu provides access to operational data and information. The information is displayed by selecting "Information" from the menu and then by scrolling up or down.

Display	Duration	Description
V_DC1 350.8V I_DC1 5.1A	10 sec	V_DC1: Shows input 01 voltage value. I_DC1: Shows input 01 current value.
V_DC2 350.8V I_DC2 5.1A	10 sec	V_DC2: Shows input 02 voltage value. I_DC2: Shows input 02 current value.
V_Grid 230.4V I_Grid 8.1A	10 sec	V_Grid: Shows the grid's voltage value I_Grid: Shows the grid's current value.
Status: Waiting Power: 1488W	10 sec	Status: Shows instant status of the Inverter. Power: Shows instant output power value.
Grid Frequency F_Grid 60.06Hz	10 sec	F_Grid: Shows the grid's frequency value.
Total Energy 0258458 kwh	10 sec	Total generated energy value.
This Month: 0123kwh Last Month: 0123kwh	10 sec	This Month: Total energy generated this month. Last Month: Total energy generated last month.
Today: 15.1kwh Yesterday: 13.5kwh	10 sec	Today: Total energy generated today. Yesterday: Total energy generated yesterday.
Inverter SN 00000000000000	10 sec	Display series number of the inverter.
Work Mode: NULL DRM Number: 08	10 sec	Work Mode: The work mode of inverter. DRM Number: Show the number 01-08.
Energy-M-Q1: 0000VAh Energy-M-P1: 0000Wh	10 sec	Energy-M-Q1: The reactive power. Energy-M-P1: The active power.

▲ Table 6.1 Information list

6.2.1 Lock Screen

Pressing the ESC key returns to the Main Menu. Pressing the ENTER key locks (Figure 6.2(a)) or unlocks (Figure 6.2 (b)) the screen.



▲ Figure 6.2 Locks and Unlocks the Screen of LCD

6.3 Settings

The following submenus are displayed when the Settings menu is selected:

1. Set Time
2. Set Address

6.3.1 Set Time

This function allows time and date setting. When this function is selected, the LCD will display a screen as shown in Figure 6.3.

NEXT=<ENT> OK=<ESC>
01-01-2010 16:37

▲ Figure 6.3 Set Time

Press the UP/DOWN keys to set time and data. Press the ENTER key to move from one digit to the next (from left to right). Press the ESC key to save the settings and return to the previous menu.

6.3.2 Set Address

This function is used to set the address when multi inverters are connected to single monitor. The address number can be assigned from "01" to "99"(see Figure 6.4). The default address number of Solis Single Phase Inverter is "01".

YES=<ENT> NO=<ESC>
Set Address: 01

▲ Figure 6.4 Set Address

Press the UP/DOWN keys to set the address. Press the ENTER key to save the settings. Press the ESC key to cancel the change and return to the previous menu.

6. Operation

6. Operation

6.4 Advanced Info - Technicians Only



NOTE:

To access to this area is for fully qualified and accredited technicians only. Enter menu "Advanced Info." and "Advanced settings" (need password) .

Select "Advanced Info." from the Main Menu. The screen will require the password as below

```
YES=<ENT> NO=<ESC>
Password:0000
```

▲ Figure 6.5 Enter password

The default password is "0010". Please press "down" to move the cursor, press "up" to select the number.

After entering the correct password the Main Menu will display a screen and be able to access to the following information.

1.Alarm Message 2. Running message 3.Version 4. Daily Energy 5. Monthly Energy 6. Yearly Energy 7. Daily Record 8.Communication Data 9. Warning Message

The screen can be scrolled manually by pressing the UP/DOWN keys. Pressing the ENTER key gives access to a submenu. Press the ESC key to return to the Main Menu.

6.4.1 Alarm Message

The display shows the 100 latest alarm messages (see Figure 6.6). Screens can be scrolled manually by pressing the UP/ DOWN keys. Press the ESC key to return to the previous menu.

```
Alarm001: OV-G-V
Time: 27-11 Data: 7171
```

▲ Figure 6.6 Alarm Message

6.4.2 Running Message

This function is for maintainece person to get running message such as internal temperature, Standard NO. etc.

Screens can be scrolled manually by pressing the UP/DOWN keys.

6.4.3 Version

The screen shows the model version and the software version of the Inverter.

```
Model: 08
Software Version: D20001
```

▲ Figure 6.7 Model Version and Software Version

6.4.4 Daily Energy

The function is for checking the energy generation for selected day.

```
YES=<ENT> NO=<ESC>
Select: 2015-02-23
```

▲ Figure 6.8 Select Date for Daily Energy

Press DOWN key to move the cursor to day, month and year, press UP key to change the digit. Press Enter after the date is fixed.

```
2015-02-22: 051.3kWh
2015-02-23: 061.5kWh
```

▲ Figure 6.9 Daily Energy

Press UP/DOWN key to move one date from another.

6.4.5 Monthly Energy and Yearly Energy

The two functions are for checking the energy generation for selected month and year.

```
YES=<ENT> NO=<ESC>
Select: 2015-02
```

```
YES=<ENT> NO=<ESC>
Select: 2015
```

▲ Figure 6.10 Select Month for monthly Energy ▲ Figure 6.11 Select Year for Yearly Energy

Press DOWN key to move the cursor, press UP key to change the digit. Press Enter after the month/year is fixed.

```
2015-02: 0510kWh
2015-01: 0610kWh
```

▲ Figure 6.12 Month Energy

```
2015: 0017513kWh
2014: 0165879kWh
```

▲ Figure 6.13 Yearly Energy

Press UP/DOWN key to move one date from another.

6. Operation

6. Operation

6.4.6 Daily Record

The screen shows history of changing settings. Only for maintenance personnel.

6.4.7 Communication Data

The screen shows the internal data of the Inverter (see Figure 6.14), which is for service technicians only.

```
01-05: 01 25 E4 9D AA
06-10: C2 B5 E4 9D 55
```

▲ Figure 6.14 Communication Data

6.4.8 Warning Message

The display shows the 100 latest warn messages (see Figure 6.15). Screens can be scrolled manually by pressing the UP/ DOWN keys. Press the ESC key to return to the previous menu.

```
Msg000:
T: 00-00 00:00 D: 0000
```

▲ Figure 6.15 Warning Message

6.5 Advanced Settings - Technicians Only



NOTE:

To access to this area is for fully qualified and accredited technicians only. Please follow 6.4 to enter password to access this menu.

Select Advanced Settings from the Main Menu to access the following options:

- 1. Select Standard
- 2. Grid ON/OFF
- 3. Clear Energy
- 4. New Password
- 5. Power Control
- 6. Calibrate Energy
- 7. Special settings
- 8. STD. Mode Settings
- 9. Restore settings
- 10. HMI Updater
- 11. EPM settings
- 12. Restart HMI
- 13. Debug Parameter
- 14. DSP updater
- 15. Power Parameter

6.5.1 Selecting Standard

This function is used to select the grid's reference standard (see Figure 6.16).

```
YES=<ENT> NO=<ESC>
Standard:UL-240V-A
```

▲ Figure 6.16

Press the UP/DOWN keys to select the standard (AS4777, VDE4105, VDE0126, UL-240V-A, UL-208V-A, UL-240V, UL-208V, UL-240-V-A-ISO-NE, UL-208-V-A-ISO-NE, MEX-CFE, G83/2 (for 1-3.6kW models), G59/3 (for 4-5kW models), EN50438 DK, EN50438 IE, EN50438 NL and "User-Def" function). Press the ENTER key to confirm the setting. Press the ESC key to cancel changes and returns to previous menu.

There are 6 settings for USA and CSA market, UL-240V and UL-208V are the settings for inverter without AFCI module, UL-240V-A and UL-208V-A are the settings for inverter integrate with AFCI module. **The default grid setting is 240V.**



NOTE:

The default setting is 240V split phase "UL-240V" or "UL-240V-A", if it's different please select 208V single phase "UL-208V" or "UL-208V-A" or 220V split phase "MEX-CFE". Other standards are for 50Hz grid, please don't select.



NOTE:

This function is for technicians use only.

Selecting the "User-Def" menu will access to the following submenu (see Figure 6.17),

```
- OV-G-V1: 260V
OV-G-V1-T: 1S
```

▲ Figure 6.17



NOTE:

The " User-Def" function can be only used by the service engineer and must be allowed by the local energy supplier.

Below is the setting range for "User-Def". Using this function, the limits can be changed manually.

OV-G-V1: 240---270V	OV-G-F1: 50.2-53Hz(60.2-64Hz)
OV-G-V1-T: 0.1---9S	OV-G-F1-T: 0.1---9S
OV-G-V2: 240---300V	OV-G-F2: 50.2-53Hz(60.2-64Hz)
OV-G-V2-T: 0.1---1S	OV-G-F2-T: 0.1---9S
UN-G-V1: 170---210V	UN-G-F1: 47-49.5Hz(56-59.8Hz)
UN-G-V1-T: 0.1---9S	UN-G-F1-T: 0.1---9S
UN-G-V2: 110---210V	UN-G-F2: 47-49Hz(56-59.8Hz)
UN-G-V2-T: 0.1---1S	UN-G-F2-T: 0.1---9S
Startup-T: 10-600S	Restore-T: 10-600S

6. Operation

6. Operation

Press the UP/DOWN keys to scroll through items. Press the ENTER key to edit the highlighted item. Press the UP/DOWN keys again to change the setting. Press the ENTER key to save the setting. Press the ESC key to cancel changes and returns to the previous menu.

6.5.2 Grid ON/OFF

This function is used to start up or stop the power generation of Solis Single Phase Inverter (see Figure 6.18).



▲ Figure 6.18 Set Grid ON/OFF

Screens can be scrolled manually by pressing the UP/DOWN keys. Press the ENTER key to save the setting. Press the ESC key to return to the previous menu.

6.5.3 Clear Energy

Clear Energy can reset the history yield of inverter



These two functions are applicable by maintenance personnel only, wrong operation will prevent the inverter from working properly.

6.5.4 New Password

This function is used to set the new password for menu "Advanced info." and "Advanced information" (see Figure 6.19).



▲ Figure 6.19 Set New Password

Enter the right password before set new password. Press the DOWN key to move the cursor, Press the UP key to revise the value. Press the ENTER key to execute the setting. Press the ESC key to return to the previous menu.

6.5.5 Power Control

Active and reactive power can be set through power setting button.

There are 5 item for this sub menu:

1. Set output power
2. Set Reactive Power
3. Out_P With Restore
4. Rea_P With Restore
5. Select PF Curve

Sub menu 1-4 is used to set inverter output power and reactive power. With restore means the change will not back to default after restart. The default setting for sub menu 1-4 is 100% for output power and 0 for reactive power.

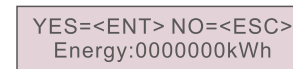
Sub menu 5 select PF curve means select PF curve for different mode. 00 is null. 01 is mode for VDE4105, 02 is mode for Brazil. Other selection is reserved. The default setting is 00.



This function is applicable by maintenance personnel only, wrong operation will prevent the inverter from reaching maximum power.

6.5.6 Calibrate Energy

Maintenance or replacement could clear or cause a different value of total energy. Use this function could allow user to revise the value of total energy to the same value as before. If the monitoring website is used the data will be synchronous with this setting automatically. (see Figure 6.20).



▲ Figure 6.20 Calibrate Energy

Press the DOWN key to move the cursor, Press the UP key to revise the value. Press the ENTER key to execute the setting. Press the ESC key to return to the previous menu.

6.5.7 Special Settings

There are 10 settings in this menu :

1. Grid Filter Set
2. Relay_protect Set
3. ILeak_Protect Set
4. GROUND_Protect Set
5. GRID INTF. 02 Set
6. Multiple MPPT Set
7. Voltage MPPT Set
8. V/FRT Set
9. IgZero_COMP. Set
10. PI Set
11. IgADCheckPRO Set



This function is applicable by maintenance personnel only, wrong operation will prevent the inverter from reaching maximum power.

6.5.7.1 Grid Filter Set

Press the ENTER to show the submenu of Grid Filter Set.

Press the UP/DOWN key to select the value.

Press the ENTER key to save the setting and return to the previous menu.

6. Operation

6. Operation



This function is applicable by maintenance personnel only, wrong operation will prevent the inverter from reaching maximum power.

6.5.7.2 Relay_Protect Set



This function is applicable by maintenance personnel only, wrong operation could disable inverter important function.

6.5.7.3 ILeak_Protect Set



This function is applicable by maintenance personnel only, wrong operation could disable inverter important function.

6.5.7.4 GROUND_Protect Set



This function is applicable by maintenance personnel only, wrong operation could disable inverter important function.

6.5.7.5 GRID INTF.02 Set



This function is applicable by maintenance personnel only, wrong operation will prevent the inverter from reaching maximum power.

6.5.7.6 Multiple MPPT Set

This is used for parallel strings into different inverter MPPTs.
Press enter and press up or down to change the settings(see Figure 6.21).

```
YES=<ENT> NO=<ESC>
Mul. MPPT Set: STOP
```

▲ Figure 6.21 Multiple MPPT Set

Selecting RUN will enable parallel strings setup.Both MPPT channels will operate in parallel.
Selecting STOP disables parallel string setup.Both MPPT channels will operate separately.
The default setting is STOP (disabled).



This function is applicable by maintenance personnel only, wrong operation will prevent the inverter from reaching maximum power.

6.5.7.7 Voltage MPPT Set

This function is used for fixed input voltage(see Figure 6.22).

```
MPPT_STS: STOP
MPPT_Vol. : 600V
```

▲ Figure 6.22 Voltage MPPT Set

Selecting RUN will enable fixed input voltage. The inverter will not operate if the input voltage is lower than the set voltage. Selecting STOP will disable this function.

The default setting is STOP (disabled).



This function is applicable by maintenance personnel only, wrong operation will prevent the inverter from reaching maximum power.

6.5.7.8 V/FRT Set

There are 5 option under this setting:

1.LVRT_CQC 2.LVRT.GN 3.LVRT-BAR are not used for the US ,

The function VRT_US (voltage ride through) and FRT_US (frequency ride through) two operation is used for UL1741SA (see Table 6.2,Table 6.3).

Selecting the setting to RUN will enable the inverter grid protection limits of UL 1741 SA requirements. Selecting the STOP setting will enable the inverter grid protection limits of IEEE 1547 requirements. The default setting is STOP.

Region	System Frequency Default Settings	Minimum Range of Adjustability (HZ)	Ride-through until	Ride-Through Operational Mode	Trip Time	Remarks
1	f>62	62.0-64.0	//	Not Applicable	0.16S	//
2	60.5<f≤62	60.1-62.0	299S	Mand atory Operation	300S	Enter protected state
3	58.5<f≤60.5	//	//	Continuous Operation	//	//
4	57.0<f≤58.5	57.0-59.9	299S	Mand atory Operation	300S	Enter protected state
5	f≤57.0	53.7-57.0	//	Not Applicable	0.16S	//

▲ Table 6.2 Frequency ride through

6. Operation

Wear pressure	Region	voltage (% nominal voltage)		Ride-through until	Operating mode	Maximum time limit
		240Va.c.	208Va.c.			
1	Hv2	$V \geq 288$	$V \geq 249.6$	//	Not Applicable	0.16S
2	Hv1	$264 < V < 288$	$228.8 < V < 249.6$	12S	Momentary Cessation	13S
3	NN	$211.2 \leq V \leq 264$	$183.04 \leq V \leq 228.8$	//	Continuous Operation	//
4	Lv1	$168 \leq V < 211.2$	$145.6 \leq V < 183.04$	20S	Mandatory Operation	21S
5	Lv2	$120 \leq V < 168$	$104 \leq V < 145.6$	10S	Mandatory Operation	11S
6	Lv3	$V < 120$	$V < 104$	1S	Momentary Cessation	1.5S

▲ Table 6.3 Voltage ride through

The voltage and frequency ride through limit is fixed, can't change.

```
VRT_US: STOP
FRT_US: STOP
```

▲ Figure 6.23 V/FRT Set

6.5.7.9 IgZero_COMP.Set



This function is applicable by maintenance personnel only, wrong operation will prevent the inverter from reaching maximum power.

6.5.7.10 PI Set



This function is applicable by maintenance personnel only, wrong operation will prevent the inverter from reaching maximum power.

6.5.7.11 IgADCheckPRO Set



This function is applicable by maintenance personnel only, wrong operation will prevent the inverter from reaching maximum power.

6.5.8 STD. Mode Settings

6.5.8.1 Working Mode Set

Ginlong Solis inverter support 6 working mode in this menu:

1. Null 2. Volt-watt 3. Volt-Var 4. Fixed-PF 5. Reac-Power 6. P-Factor 7. VgWatt-UL

Based on UL1741SA, work mode 1, 3, 4, 7 could be used for grid operator.



There's only one working mode can be enabled at one time, enable other working mode will disable original mode.

1.Null (Default setting)

Inverter not under any of below working mode.

The default setting of working mode is Null.

2.Volt-Watt

Inverter will limit output power when voltage changes.

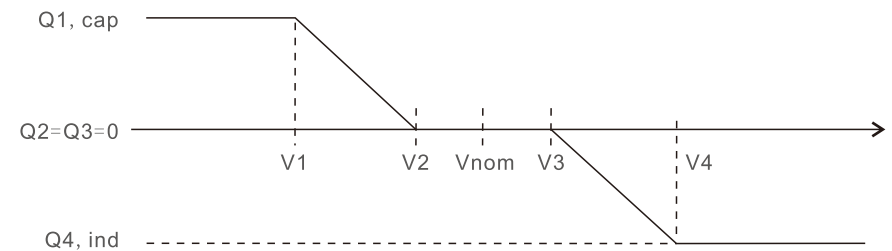
This mode is not required by UL1741SA.



This function is applicable by maintenance personnel only, wrong operation will prevent the inverter from reaching maximum power.

3.Volt-var

Inverter will generate reactive power when voltage changes.



▲ Figure 6.24 Volt-VAR curve for Q (V)

V1: defaults to 221V; V2: defaults to 232V; V3: defaults to 247.9V;

V4: defaults to 256.8V; Vnom: rated voltage 240V

6. Operation

Voltage1 : 210V
Voltage2 : 360V

▲ Figure 6.25 Volt-VAR

4. Fixed-PF

Inverter can set power factor from 0.8...1...08.

YES=<ENT> NO=<ESC>
Power Factor : +1.00

▲ Figure 6.26 Fixed-PF

5. Reac-Power

Inverter will generate reactive power when output power changes. This mode is not required by UL1741SA .



This function is applicable by maintenance personnel only, wrong operation will prevent the inverter from reaching maximum power.

6. P-Factor

Inverter will change power factor when output power changes. This mode is not required by UL1741SA .

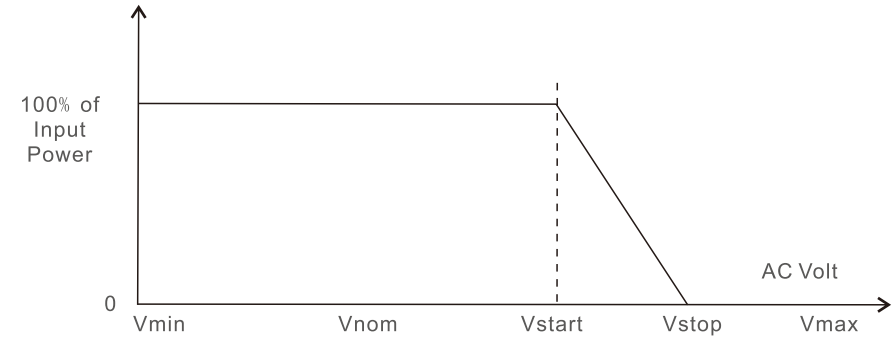


This function is applicable by maintenance personnel only, wrong operation will prevent the inverter from reaching maximum power.

6. Operation

7. VgWatt-UL

Inverter will change output power when output voltage changes. Please see below chart:



▲ Figure 6.27 Volt-Watt characteristic

Vstart: defaults to 254.4V; Default setting 106%.

Vstop: default 264V; default setting 110%.

Voltage : 210V
P-Limit1 : 100%

▲ Figure 6.28 VgWatt-UL

6.5.8.2 Power Rate Limit

This function is used for change Power Ramp-up rate. When inverter start up or input string MPPT changes, inverter power ramp-up rate is limited in this menu.

The default setting is stop (disable).

The setting range from 10% to 600%, means inverter power change rate perminute.

Values are not allowed to change. If they are set, they may not conform to the UL1741SA standard.

Power Rate:016%
RateP_Sts-US:STOP

▲ Figure 6.29 Power Rate Limit

6. Operation

6. Operation

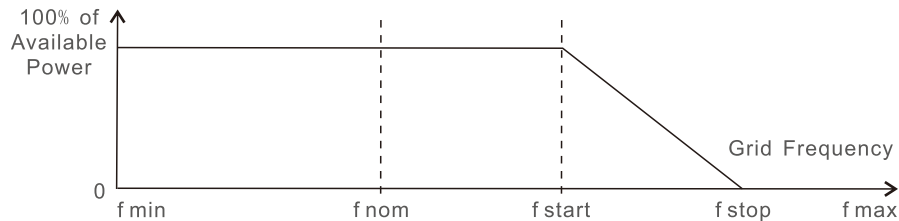
6.5.8.3 Freq Derate Set

There are 5 derate mode in this menu when select UL-208 or UL-240 in grid standard, inverter the mode 00 to 03 is disabled. Mode 04 is used for UL1741SA frequency derating setting. This could set the f start and f stop point.

The default setting is 00, means this function is disabled.

Derate Mode: 04
OV-F-Start: 60.20Hz

▲ Figure 6.30 Freq Derate Set



▲ Figure 6.31 Freq-Watt characteristic

Over frequency load shedding F start range 59.936~60.036Hz, default setting 60.036Hz.

Descending rate: 5%Pn/0.1Hz.

F stop can set the range: 61-64Hz default setting 62Hz. Recovery rate: 5%Pn/0.1Hz.

Press the Enter key to select the mode or frequency.

Press Up/Down to set. Press ESC to save the settings.

6.5.8.4 10mins Voltage Set

This function is disabled and not used for the US.



This function is applicable by maintenance personnel only, wrong operation will prevent the inverter from reaching maximum power.

6.5.8.5 Initial Settings

In initial settings it will allow each work mode from 6.5.8.1 to 6.5.8.4 back to default.

Work Mode Default
Power Rate Default

▲ Figure 6.32 Initial Settings

6.5.9 Restore Settings

Restore setting could set all item in 6.5.7 special setting to default. The screen shows as below:

Are you sure?
YES=<ENT> NO=<ESC>

▲ Figure 6.33 Restore Settings

Press the Enter key to save the setting after setting grid off.

Press the ESC key to return the previous menu.

6.5.10 HMI Updater

This function is used for update the LCD program.



This function is applicable by maintenance personnel only, wrong operation will prevent the inverter from reaching maximum power.

6.5.11 EPM Settings

This setting is for export power control. Please don't change settings in this item.



This setting is used for update inverter with export power control accessory. Please don't change setting in this menu.

6.5.12 Restart HMI

The function is used for restart the HMI.



This function is applicable by maintenance personnel only, wrong operation will prevent the inverter from reaching maximum power.

6.5.13 Debug Parameter

This function is used for manufacturer maintenance personnel only.

6.5.14 DSP Updater

The function is used for update the DSP.



This function is applicable by maintenance personnel only, wrong operation will prevent the inverter from reaching maximum power.

6. Operation

7. Maintenance

6.5.15 Power Parameter

This function is used for calibrate inverter output energy. It will not impact the energy count for inverter with RGM.

The screen shows:



▲ Figure 6.34 Power Rate Limit

Press the Down key to move the cursor.

Press the Up key to change the digit.

Please press the Enter to save the setting and press the ESC key to return to the previous menu.



This setting is used for grid operator, don't change setting under this manual.

6.6 Arc fault(for AFCI version)

Solis Single Phase Inverter can integrate with AFCI module which can detect the arc in DC circuit. If arc fault happen, it can only be removed manually.

During start up inverter will check AFCI module. If the check is OK, inverter will start normally. If the check fails, LCD will show:



▲ Figure 6.35 AFCI Check Fail

Press <ESC> for 3 seconds, the inverter will restart. If the fault happen again, please turn off inverter to restart. if the fault still happen, please contact us.

During normal operation, if arc fault happens in the DC circuit, the inverter will stop output and the LCD will show:



▲ Figure 6.36 Arc Fault

Please check DC cables and connections to identify the source of possible arcing. Then **press <ESC> for 3 seconds**, the inverter will restart.

7.Maintenance

Solis Single Phase Inverter does not require any regular maintenance. However, cleaning the dust on heat-sink will help the inverter to dissipate the heat and increase its life time.

The dust can be removed with a soft brush.



CAUTION:

Do not touch the inverter's surface when it is operating. Some parts of the inverter may be hot and cause burns. Turn off the inverter (refer to Section 5.2) and wait for a cool-down period before before any maintenance or cleaning operation.

The LCD and the LED status indicator lights can be cleaned with a damp cloth if they are too dirty to be read.



NOTE:

Never use any solvents, abrasives or corrosive materials to clean the inverter.

8. Troubleshooting

The inverter is designed in accordance with the most important international grid-tied standards and safety and electromagnetic compatibility requirements. Before delivering to the customer, the inverter has been subjected to several tests to ensure its optimal operation and reliability.

In case of failure, the LCD screen will display an alarm message. In this case, the inverter may stop feeding into the grid. The failure descriptions and their corresponding alarm messages are listed in Table 8.1:

8. Troubleshooting

Alarms	Cause	Solution
No Information (Blank Screen)	<ul style="list-style-type: none"> • Input voltage low/missing • Polarity reversed • Main board damaged 	<p>Test – DC switch OFF</p> <ul style="list-style-type: none"> • Check PV connections • Check polarity • Check voltage >120V Single, >350V three <p>Test – DC Switch ON</p> <ul style="list-style-type: none"> • Check voltage >120V Single, >350V three • If DC voltage is “0” replace inverter
Initializing (Inverter stuck in this mode)	<ul style="list-style-type: none"> • Inverter is waiting for driving signal 	<p>Test – DC switch OFF</p> <ul style="list-style-type: none"> • Check PV connections • Check polarity • Check voltage >120V Single, >350V three <p>Test – DC Switch ON</p> <ul style="list-style-type: none"> • Check voltage >120V Single, >350V three • A cable may have been damaged or loosened in shipping replace inverter
OV-G-V: Over Grid Voltage	<ul style="list-style-type: none"> • Inverter detects grid voltage as too high 	<p>Test – DC switch OFF</p> <ul style="list-style-type: none"> • Check AC at the inverter • If AC measures high, adjust upper limit with permission from utility <p>Test – DC Switch ON, full power</p> <ul style="list-style-type: none"> • Check AC at inverter test points • Compare with LCD • If AC measures high, cables between inverter and interconnect are too small • Check ampacity and voltage drop calculations
UN-G-V: Under Grid Voltage	<ul style="list-style-type: none"> • Inverter detects grid voltage as too low 	<p>Test – DC switch OFF</p> <ul style="list-style-type: none"> • Check AC at the inverter test points • If AC measures low, adjust lower limit with permission from utility • Check LCD voltage reading, may be a bad measurement circuit <p>Test – DC Switch ON</p> <ul style="list-style-type: none"> • Check grid standard • Replace inverter

8. Troubleshooting

Alarms	Cause	Solution
OV-G-F: Over Grid Frequency	<ul style="list-style-type: none"> • Inverter detects grid Frequency as too high 	<p>Test – DC switch OFF</p> <ul style="list-style-type: none"> • Check frequency at the inverter test points • If Frequency measures high, adjust upper limit with permission from utility • Check LCD reading, may be a bad measurement circuit <p>Test – DC Switch ON</p> <ul style="list-style-type: none"> • Check grid standard • Replace inverter
NO-GRID	<ul style="list-style-type: none"> • Inverter does not detect the grid 	<p>Test – DC switch OFF</p> <ul style="list-style-type: none"> • Check AC at the inverter test points • L-L, L-GND • Do NOT tell me 240VAC • Check LCD reading, may be a bad measurement circuit <p>Test – DC Switch ON</p> <ul style="list-style-type: none"> • Check grid standard • Replace inverter
OV-DC: DC voltage is too high	<ul style="list-style-type: none"> • Inverter detects High DCV 	<p>Test – DC switch OFF</p> <ul style="list-style-type: none"> • Check DC at the inverter test points • If DCV is high, too many panels in the string <p>Test – DC Switch ON</p> <ul style="list-style-type: none"> • Check LCD reading, may be a bad measurement circuit • Replace inverter
OV-BUS: DC BUS voltage is too high	<ul style="list-style-type: none"> • Inverter detects High DCV on internal bus 	<p>Test</p> <ul style="list-style-type: none"> • Measure DC and AC voltages • Compare with LCD • Replace inverter • Internal damage • Wire came loose during shipping
UN-BUS: DC BUS voltage is too low	<ul style="list-style-type: none"> • Inverter detects low DCV on internal bus 	<p>Test</p> <ul style="list-style-type: none"> • Measure DC and AC voltages • Compare with LCD • Replace inverter • Internal damage • Wire came loose during shipping

8. Troubleshooting

8. Troubleshooting

Alarms	Cause	Solution
GRID-INTF: Grid unstable	• Inverter detects grid instability, internal fault current high	Test – With DC Switch OFF <ul style="list-style-type: none"> • Measure AC voltage • Test AC line for THD • Test – With DC Switch ON Test AC line for THD <ul style="list-style-type: none"> • Multiple inverters/turn one off • Impedance matching adjustment or box • Internal damage • Wire came loose in shipping
INI-FAULT: Initialization Protection	• Master and Slave DSP have different values	Reset Inverter <ul style="list-style-type: none"> • DC switch OFF • Wait until all lights/LCD turn off • DC switch ON • Replace inverter
OV-TEM: Temperature Protection	• Inverter detects high ambient temperature >60C	Inspect installation <ul style="list-style-type: none"> • Check heatsink for obstructions/ventilation • Is inverter in direct sunshine • Measure ambient temperature near inverter • If temp is in range replace inverter
PV ISO-PRO 01/02: Ground Protection	• Inverter detects low DC insulation resistance	Inspect installation <ul style="list-style-type: none"> • Reset inverter • Note weather conditions when alarm occurs • Measure insulation resistance • If normal, measure in SAME weather as alarm • Physically check cables • Replace inverter
AFCI Check FAULT	• AFCI module self check fault	Reset Inverter <ul style="list-style-type: none"> • DC switch OFF • Wait until all lights/LCD turn off • DC switch ON • Replace inverter
ARC-FAULT	• Inverter detects arc in DC circuit	Inspect installation <ul style="list-style-type: none"> • Check cable with string tester • Physically check cables • Inspect panel junction boxes • Inspect cable connections • Reset inverter • Replace inverter

Table 8.1 Fault messages and descriptions



NOTE:

If the inverter displays any alarm message as listed in Table 8.1; please turn off the inverter (refer to Section 5.2 to stop your inverter) and wait for 5 minutes before restarting it (refer to Section 5.1 to start your inverter). If the failure persists, please contact your local distributor or the service center. Please keep ready with you the following information before contacting us.

1. Serial number of Solis Single Phase Inverter;
2. The distributor/dealer of Solis Single Phase Inverter (if available);
3. Installation date.
4. The description of problem (i.e. the alarm message displayed on the LCD and the status of the LED status indicator lights. Other readings obtained from the Information submenu (refer to Section 6.2) will also be helpful.);
5. The PV array configuration (e.g. number of panels, capacity of panels, number of strings , etc.);
6. Your contact details.

9. Specifications

Model	Solis-1P1K-4G-US
Max power per MPPT (Watts)	1200
Max voltage (Volts)	600
Startup voltage (Volts)	60
Full power MPPT voltage range (Volts)	90-400
Operating MPPT voltage range (Volts)	50-450
Max usable input current per MPPT (Amps)	11
Max short circuit input current (Amps)	17.2
Number of MPPT	1
Inputs per MPPT	1
Nominal output power 240V grid (Watts)	1000
Nominal output power 208V grid (Watts)	1000
Nominal grid voltage (Volts)	240/208
Operating voltage range (Volts)	183-228(for 208V rated)/211-264(for 240V rated)
Max. overcurrent protection device 240/208V (Amps)	10/10
Max.output current for 208V grid (Amps)	4.8
Max.output current for 240V grid (Amps)	4.2
Max backfeed current (Amps)	0
Max output fault current (Amps) and duration (ms)	10/200
Output power factor range	0.8leading~0.8lagging
Grid current THD	<3%
Nominal grid frequency (Hertz)	60
Operating frequency range (Hertz)	59.5-60.5
Peak efficiency	97.5%
CEC weighted efficiency	96.8%
MPPT efficiency	>99.5%
Integrated AFCI (DC arc-fault circuit protection)	Yes
Residual current monitoring	Yes
Rapid shutdown	Optional
Dimensions (inch / cm)	13.9*31.9*6.5in (352*810*164mm)
Weight (lbs / kg)	33.1lb (15kg)
Topology	Transformerless
Ambient operating temperature range	-25°C~60°C / -13°F - 140°F
Enclosure type	NEMA 4X
Noise emission (typical)	<30 dBA
Cooling concept	Natural convection
Max. operating altitude without derating	13120ft (4000m)
Designed lifetime	>20 years

9. Specifications

Compliance	UL 1741, UL 1741SA, Rule 21, UL 1998, UL 1699B, IEEE 1547, FCC Part 15 (Class A & B), CAN/CSA C22.2 107.1-1, Rule 21 Phaes II&III
Operating surroundings humidity	0~100% Condensing
Conduit connention	2 knockout for 1" and 1 ^{1/4} " conduit at bottom, side and back
Display	LCD, 2×20 Z.
Interface	RS 485, WIFI/GPRS (optional)
Warranty Terms	10 Years STD (Extendable to 20 Years)

9. Specifications

Model	Solis-1P1.5K-4G-US
Max power per MPPT (Watts)	1800
Max voltage (Volts)	600
Startup voltage (Volts)	60
Full power MPPT voltage range (Volts)	137-450
Operating MPPT voltage range (Volts)	50-450
Max usable input current per MPPT (Amps)	11
Max short circuit input current (Amps)	17.2
Number of MPPT	1
Inputs per MPPT	1
Nominal output power 240V grid (Watts)	1500
Nominal output power 208V grid (Watts)	1500
Nominal grid voltage (Volts)	240/208
Operating voltage range (Volts)	183-228(for 208V rated)/211-264(for 240V rated)
Max. overcurrent protection device 240/208V (Amps)	10/10
Max.output current for 208V grid (Amps)	7.2
Max.output current for 240V grid (Amps)	6.3
Max backfeed current (Amps)	0
Max output fault current (Amps) and duration (ms)	10/200
Output power factor range	0.8leading~0.8lagging
Grid current THD	<3%
Nominal grid frequency (Hertz)	60
Operating frequency range (Hertz)	59.5-60.5
Peak efficiency	97.5%
CEC weighted efficiency	96.8%
MPPT efficiency	>99.5%
Integrated AFCI (DC arc-fault circuit protection)	Yes
Residual current monitoring	Yes
Rapid shutdown	Optional
Dimensions (inch / cm)	13.9*31.9*6.5in (352*810*164mm)
Weight (lbs / kg)	33.1lb (15kg)
Topology	Transformerless
Ambient operating temperature range	-25°C~60°C/-13°F-140°F
Enclosure type	NEMA 4X
Noise emission (typical)	<30 dBA
Cooling concept	Natural convection
Max. operating altitude without derating	13120ft (4000m)
Designed lifetime	>20 years

9. Specifications

Compliance	UL 1741, UL 1741SA, Rule 21, UL 1998, UL 1699B, IEEE 1547, FCC Part 15 (Class A & B), CAN/CSA C22.2 107.1-1, Rule 21 Phaes II&III
Operating surroundings humidity	0~100% Condensing
Conduit connention	2 knockout for 1" and 1 ^{1/4} " conduit at bottom, side and back
Display	LCD, 2×20 Z.
Interface	RS 485, WIFI/GPRS (optional)
Warranty Terms	10 Years STD (Extendable to 20 Years)

9. Specifications

Model	Solis-1P2K-4G-US
Max power per MPPT (Watts)	2400
Max voltage (Volts)	600
Startup voltage (Volts)	60
Full power MPPT voltage range (Volts)	182-450
Operating MPPT voltage range (Volts)	50-450
Max usable input current per MPPT (Amps)	11
Max short circuit input current (Amps)	17.2
Number of MPPT	1
Inputs per MPPT	1
Nominal output power 240V grid (Watts)	2000
Nominal output power 208V grid (Watts)	2000
Nominal grid voltage (Volts)	240/208
Operating voltage range (Volts)	183-228(for 208V rated)/211-264(for 240V rated)
Max. overcurrent protection device 240/208V (Amps)	20/20
Max.output current for 208V grid (Amps)	9.6
Max.output current for 240V grid (Amps)	8.3
Max backfeed current (Amps)	0
Max output fault current (Amps) and duration (ms)	20/200
Output power factor range	0.8leading~0.8lagging
Grid current THD	<3%
Nominal grid frequency (Hertz)	60
Operating frequency range (Hertz)	59.5-60.5
Peak efficiency	97.5%
CEC weighted efficiency	96.8%
MPPT efficiency	>99.5%
Integrated AFCI (DC arc-fault circuit protection)	Yes
Residual current monitoring	Yes
Rapid shutdown	Optional
Dimensions (inch / cm)	13.9*31.9*6.5in (352*810*164mm)
Weight (lbs / kg)	33.1lb (15kg)
Topology	Transformerless
Ambient operating temperature range	-25°C~60°C/-13°F-140°F
Enclosure type	NEMA 4X
Noise emission (typical)	<30 dBA
Cooling concept	Natural convection
Max. operating altitude without derating	13120ft (4000m)
Designed lifetime	>20 years

9. Specifications

Compliance	UL 1741, UL 1741SA, Rule 21, UL 1998, UL 1699B, IEEE 1547, FCC Part 15 (Class A & B), CAN/CSA C22.2 107.1-1, Rule 21 Phaes II&III
Operating surroundings humidity	0~100% Condensing
Conduit connention	2 knockout for 1" and 1 ^{1/4} " conduit at bottom, side and back
Display	LCD, 2×20 Z.
Interface	RS 485, WIFI/GPRS (optional)
Warranty Terms	10 Years STD (Extendable to 20 Years)

9. Specifications

Model	Solis-1P2.5K-4G-US
Max power per MPPT (Watts)	3000
Max voltage (Volts)	600
Startup voltage (Volts)	60
Full power MPPT voltage range (Volts)	114-450
Operating MPPT voltage range (Volts)	50-450
Max usable input current per MPPT (Amps)	11+11
Max short circuit input current (Amps)	17.2+17.2
Number of MPPT	2
Inputs per MPPT	2
Nominal output power 240V grid (Watts)	2500
Nominal output power 208V grid (Watts)	2500
Nominal grid voltage (Volts)	240/208
Operating voltage range (Volts)	183-228(for 208V rated)/211-264(for 240V rated)
Max. overcurrent protection device 240/208V (Amps)	20/20
Max.output current for 208V grid (Amps)	12.0
Max.output current for 240V grid (Amps)	10.4
Max backfeed current (Amps)	0
Max output fault current (Amps) and duration (ms)	20/200
Output power factor range	0.8leading~0.8lagging
Grid current THD	<3%
Nominal grid frequency (Hertz)	60
Operating frequency range (Hertz)	59.5-60.5
Peak efficiency	97.8%
CEC weighted efficiency	97.1%
MPPT efficiency	>99.5%
Integrated AFCI (DC arc-fault circuit protection)	Yes
Residual current monitoring	Yes
Rapid shutdown	Optional
Dimensions (inch / cm)	13.9*31.9*6.5in (352*810*164mm)
Weight (lbs / kg)	33.1lb (15kg)
Topology	Transformerless
Ambient operating temperature range	-25°C~60°C / -13°F - 140°F
Enclosure type	NEMA 4X
Noise emission (typical)	<30 dBA
Cooling concept	Natural convection
Max. operating altitude without derating	13120ft (4000m)
Designed lifetime	>20 years

9. Specifications

Compliance	UL 1741, UL 1741SA, Rule 21, UL 1998, UL 1699B, IEEE 1547, FCC Part 15 (Class A & B), CAN/CSA C22.2 107.1-1, Rule 21 Phaes II&III
Operating surroundings humidity	0~100% Condensing
Conduit connention	2 knockout for 1" and 1 ^{1/4} " conduit at bottom, side and back
Display	LCD, 2×20 Z.
Interface	RS 485, WIFI/GPRS (optional)
Warranty Terms	10 Years STD (Extendable to 20 Years)

9. Specifications

Model	Solis-1P3K-4G-US
Max power per MPPT (Watts)	3500
Max voltage (Volts)	600
Startup voltage (Volts)	120
Full power MPPT voltage range (Volts)	137-520
Operating MPPT voltage range (Volts)	90-520
Max usable input current per MPPT (Amps)	11+11
Max short circuit input current (Amps)	17.2+17.2
Number of MPPT	2
Inputs per MPPT	2
Nominal output power 240V grid (Watts)	3000
Nominal output power 208V grid (Watts)	3000
Nominal grid voltage (Volts)	240/208
Operating voltage range (Volts)	183-228(for 208V rated)/211-264(for 240V rated)
Max. overcurrent protection device 240/208V (Amps)	20/20
Max.output current for 208V grid (Amps)	14.4
Max.output current for 240V grid (Amps)	12.5
Max backfeed current (Amps)	0
Max output fault current (Amps) and duration (ms)	20/200
Output power factor range	0.8leading~0.8lagging
Grid current THD	<3%
Nominal grid frequency (Hertz)	60
Operating frequency range (Hertz)	59.5-60.5
Peak efficiency	97.8%
CEC weighted efficiency	97.1%
MPPT efficiency	>99.5%
Integrated AFCI (DC arc-fault circuit protection)	Yes
Residual current monitoring	Yes
Rapid shutdown	Optional
Dimensions (inch / cm)	13.9*31.9*6.5in (352*810*164mm)
Weight (lbs / kg)	33.1lb (15kg)
Topology	Transformerless
Ambient operating temperature range	-25°C~60°C / -13°F - 140°F
Enclosure type	NEMA 4X
Noise emission (typical)	<30 dBA
Cooling concept	Natural convection
Max. operating altitude without derating	13120ft (4000m)
Designed lifetime	>20 years

9. Specifications

Compliance	UL 1741, UL 1741SA, Rule 21, UL 1998, UL 1699B, IEEE 1547, FCC Part 15 (Class A & B), CAN/CSA C22.2 107.1-1, Rule 21 Phaes II&III
Operating surroundings humidity	0~100% Condensing
Conduit connention	2 knockout for 1" and 1 ^{1/4} " conduit at bottom, side and back
Display	LCD, 2×20 Z.
Interface	RS 485, WIFI/GPRS (optional)
Warranty Terms	10 Years STD (Extendable to 20 Years)

9. Specifications

Model	Solis-1P3.6K-4G-US
Max power per MPPT (Watts)	4000
Max voltage (Volts)	600
Startup voltage (Volts)	120
Full power MPPT voltage range (Volts)	164-520
Operating MPPT voltage range (Volts)	90-520
Max usable input current per MPPT (Amps)	11+11
Max short circuit input current (Amps)	17.2+17.2
Number of MPPT	2
Inputs per MPPT	2
Nominal output power 240V grid (Watts)	3600
Nominal output power 208V grid (Watts)	3600
Nominal grid voltage (Volts)	240/208
Operating voltage range (Volts)	183-228(for 208V rated)/211-264(for 240V rated)
Max. overcurrent protection device 240/208V (Amps)	20/30
Max.output current for 208V grid (Amps)	17.3
Max.output current for 240V grid (Amps)	15.0
Max backfeed current (Amps)	0
Max output fault current (Amps) and duration (ms)	30/200
Output power factor range	0.8leading~0.8lagging
Grid current THD	<3%
Nominal grid frequency (Hertz)	60
Operating frequency range (Hertz)	59.5-60.5
Peak efficiency	97.8%
CEC weighted efficiency	97.1%
MPPT efficiency	>99.5%
Integrated AFCI (DC arc-fault circuit protection)	Yes
Residual current monitoring	Yes
Rapid shutdown	Optional
Dimensions (inch / cm)	13.9*31.9*6.5in (352*810*164mm)
Weight (lbs / kg)	33.1lb (15kg)
Topology	Transformerless
Ambient operating temperature range	-25°C~60°C/-13°F-140°F
Enclosure type	NEMA 4X
Noise emission (typical)	<30 dBA
Cooling concept	Natural convection
Max. operating altitude without derating	13120ft (4000m)
Designed lifetime	>20 years

9. Specifications

Compliance	UL 1741, UL 1741SA, Rule 21, UL 1998, UL 1699B, IEEE 1547, FCC Part 15 (Class A & B), CAN/CSA C22.2 107.1-1, Rule 21 Phaes II&III
Operating surroundings humidity	0~100% Condensing
Conduit connention	2 knockout for 1" and 1 ^{1/4} " conduit at bottom, side and back
Display	LCD, 2×20 Z.
Interface	RS 485, WIFI/GPRS (optional)
Warranty Terms	10 Years STD (Extendable to 20 Years)

9. Specifications

Model	Solis-1P4K-4G-US
Max power per MPPT (Watts)	4000
Max voltage (Volts)	600
Startup voltage (Volts)	120
Full power MPPT voltage range (Volts)	182-520
Operating MPPT voltage range (Volts)	90-520
Max usable input current per MPPT (Amps)	11+11
Max short circuit input current (Amps)	17.2+17.2
Number of MPPT	2
Inputs per MPPT	2
Nominal output power 240V grid (Watts)	4000
Nominal output power 208V grid (Watts)	4000
Nominal grid voltage (Volts)	240/208
Operating voltage range (Volts)	183-228(for 208V rated)/211-264(for 240V rated)
Max. overcurrent protection device 240/208V (Amps)	30/30
Max.output current for 208V grid (Amps)	19.2
Max.output current for 240V grid (Amps)	16.7
Max backfeed current (Amps)	0
Max output fault current (Amps) and duration (ms)	30/200
Output power factor range	0.8leading~0.8lagging
Grid current THD	<3%
Nominal grid frequency (Hertz)	60
Operating frequency range (Hertz)	59.5-60.5
Peak efficiency	98.1%
CEC weighted efficiency	97.3%
MPPT efficiency	>99.5%
Integrated AFCI (DC arc-fault circuit protection)	Yes
Residual current monitoring	Yes
Rapid shutdown	Optional
Dimensions (inch / cm)	13.9*31.9*6.5in (352*810*164mm)
Weight (lbs / kg)	33.1lb (15kg)
Topology	Transformerless
Ambient operating temperature range	-25°C~60°C / -13°F - 140°F
Enclosure type	NEMA 4X
Noise emission (typical)	<30 dBA
Cooling concept	Natural convection
Max. operating altitude without derating	13120ft (4000m)
Designed lifetime	>20 years

9. Specifications

Compliance	UL 1741, UL 1741SA, Rule 21, UL 1998, UL 1699B, IEEE 1547, FCC Part 15 (Class A & B), CAN/CSA C22.2 107.1-1, Rule 21 Phaes II&III
Operating surroundings humidity	0~100% Condensing
Conduit connention	2 knockout for 1" and 1 ^{1/4} " conduit at bottom, side and back
Display	LCD, 2×20 Z.
Interface	RS 485, WIFI/GPRS (optional)
Warranty Terms	10 Years STD (Extendable to 20 Years)

9. Specifications

Model	Solis-1P4.6K-4G-US
Max power per MPPT (Watts)	4000
Max voltage (Volts)	600
Startup voltage (Volts)	120
Full power MPPT voltage range (Volts)	210-520
Operating MPPT voltage range (Volts)	90-520
Max usable input current per MPPT (Amps)	11+11
Max short circuit input current (Amps)	17.2+17.2
Number of MPPT	2
Inputs per MPPT	2
Nominal output power 240V grid (Watts)	4600
Nominal output power 208V grid (Watts)	4600
Nominal grid voltage (Volts)	240/208
Operating voltage range (Volts)	183-228(for 208V rated)/211-264(for 240V rated)
Max. overcurrent protection device 240/208V (Amps)	30/30
Max.output current for 208V grid (Amps)	22.1
Max.output current for 240V grid (Amps)	19.2
Max backfeed current (Amps)	0
Max output fault current (Amps) and duration (ms)	30/200
Output power factor range	0.8leading~0.8lagging
Grid current THD	<3%
Nominal grid frequency (Hertz)	60
Operating frequency range (Hertz)	59.5-60.5
Peak efficiency	98.1%
CEC weighted efficiency	97.3%
MPPT efficiency	>99.5%
Integrated AFCI (DC arc-fault circuit protection)	Yes
Residual current monitoring	Yes
Rapid shutdown	Optional
Dimensions (inch / cm)	13.9*31.9*6.5in (352*810*164mm)
Weight (lbs / kg)	33.1lb (15kg)
Topology	Transformerless
Ambient operating temperature range	-25°C~60°C / -13°F - 140°F
Enclosure type	NEMA 4X
Noise emission (typical)	<30 dBA
Cooling concept	Natural convection
Max. operating altitude without derating	13120ft (4000m)
Designed lifetime	>20 years

9. Specifications

Compliance	UL 1741, UL 1741SA, Rule 21, UL 1998, UL 1699B, IEEE 1547, FCC Part 15 (Class A & B), CAN/CSA C22.2 107.1-1, Rule 21 Phaes II&III
Operating surroundings humidity	0~100% Condensing
Conduit connention	2 knockout for 1" and 1 ^{1/4} " conduit at bottom, side and back
Display	LCD, 2×20 Z.
Interface	RS 485, WIFI/GPRS (optional)
Warranty Terms	10 Years STD (Extendable to 20 Years)

9. Specifications

Model	Solis-1P5K-4G-US
Max power per MPPT (Watts)	4000
Max voltage (Volts)	600
Startup voltage (Volts)	120
Full power MPPT voltage range (Volts)	228-520
Operating MPPT voltage range (Volts)	90-520
Max usable input current per MPPT (Amps)	11+11
Max short circuit input current (Amps)	17.2+17.2
Number of MPPT	2
Inputs per MPPT	2
Nominal output power 240V grid (Watts)	5000
Nominal output power 208V grid (Watts)	5000
Nominal grid voltage (Volts)	240/208
Operating voltage range (Volts)	183-228(for 208V rated)/211-264(for 240V rated)
Max. overcurrent protection device 240/208V (Amps)	30/30
Max.output current for 208V grid (Amps)	24.0
Max.output current for 240V grid (Amps)	20.8
Max backfeed current (Amps)	0
Max output fault current (Amps) and duration (ms)	30/200
Output power factor range	0.8leading~0.8lagging
Grid current THD	<3%
Nominal grid frequency (Hertz)	60
Operating frequency range (Hertz)	59.5-60.5
Peak efficiency	98.1%
CEC weighted efficiency	97.3%
MPPT efficiency	>99.5%
Integrated AFCI (DC arc-fault circuit protection)	Yes
Residual current monitoring	Yes
Rapid shutdown	Optional
Dimensions (inch / cm)	13.9*31.9*6.5in (352*810*164mm)
Weight (lbs / kg)	33.1lb (15kg)
Topology	Transformerless
Ambient operating temperature range	-25°C~60°C/-13°F-140°F
Enclosure type	NEMA 4X
Noise emission (typical)	<30 dBA
Cooling concept	Natural convection
Max. operating altitude without derating	13120ft (4000m)
Designed lifetime	>20 years

9. Specifications

Compliance	UL 1741, UL 1741SA, Rule 21, UL 1998, UL 1699B, IEEE 1547, FCC Part 15 (Class A & B), CAN/CSA C22.2 107.1-1, Rule 21 Phaes II&III
Operating surroundings humidity	0~100% Condensing
Conduit connention	2 knockout for 1" and 1 ^{1/4} " conduit at bottom, side and back
Display	LCD, 2×20 Z.
Interface	RS 485, WIFI/GPRS (optional)
Warranty Terms	10 Years STD (Extendable to 20 Years)

9. Specifications

Model	Solis-1P6K2-4G-US
Max power per MPPT (Watts)	4000
Max voltage (Volts)	600
Startup voltage (Volts)	120
Full power MPPT voltage range (Volts)	273-520
Operating MPPT voltage range (Volts)	90-520
Max usable input current per MPPT (Amps)	11+11
Max short circuit input current (Amps)	17.2+17.2
Number of MPPT	2
Inputs per MPPT	2
Nominal output power 240V grid (Watts)	6000
Nominal output power 208V grid (Watts)	5200
Nominal grid voltage (Volts)	240/208
Operating voltage range (Volts)	183-228(for 208V rated)/211-264(for 240V rated)
Max. overcurrent protection device 240/208V (Amps)	40/40
Max.output current for 208V grid (Amps)	25.0
Max.output current for 240V grid (Amps)	25.0
Max backfeed current (Amps)	0
Max output fault current (Amps) and duration (ms)	40/200
Output power factor range	0.8leading~0.8lagging
Grid current THD	<3%
Nominal grid frequency (Hertz)	60
Operating frequency range (Hertz)	59.5-60.5
Peak efficiency	98.1%
CEC weighted efficiency	97.3%
MPPT efficiency	>99.5%
Integrated AFCI (DC arc-fault circuit protection)	Yes
Residual current monitoring	Yes
Rapid shutdown	Optional
Dimensions (inch / cm)	13.9*31.9*6.5in (352*810*164mm)
Weight (lbs / kg)	33.1lb (15kg)
Topology	Transformerless
Ambient operating temperature range	-25°C~60°C/-13°F-140°F
Enclosure type	NEMA 4X
Noise emission (typical)	<30 dBA
Cooling concept	Natural convection
Max. operating altitude without derating	13120ft (4000m)
Designed lifetime	>20 years

9. Specifications

Compliance	UL 1741, UL 1741SA, Rule 21, UL 1998, UL 1699B, IEEE 1547, FCC Part 15 (Class A & B), CAN/CSA C22.2 107.1-1, Rule 21 Phaes II&III
Operating surroundings humidity	0~100% Condensing
Conduit connention	2 knockout for 1" and 1 ^{1/4} " conduit at bottom, side and back
Display	LCD, 2×20 Z.
Interface	RS 485, WIFI/GPRS (optional)
Warranty Terms	10 Years STD (Extendable to 20 Years)