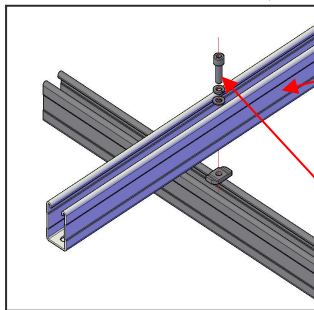
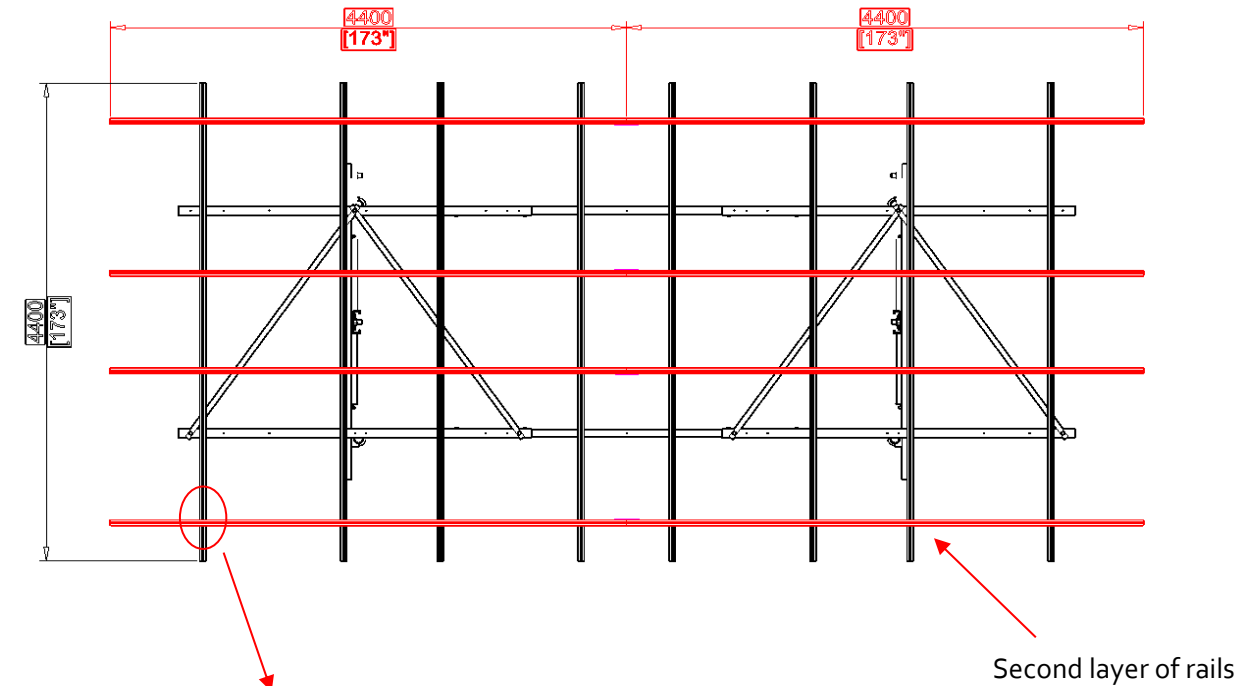


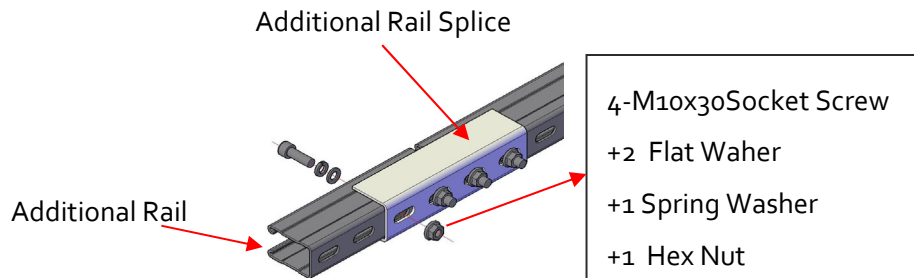
4.3.12 STEP-12:

To accommodate larger-format modules, it is necessary to implement the following reconfiguration. A second layer of rails need to be installed, as illustrated below. This adjustment results in a reduction of the number of modules that can be installed on a single table to 14.



Additional rail

- 4-M10x30Socket Screw
- +1 Flat Waher
- +1 Spring Washer
- +1 Flange Nut



- 4-M10x30Socket Screw
- +2 Flat Waher
- +1 Spring Washer
- +1 Hex Nut